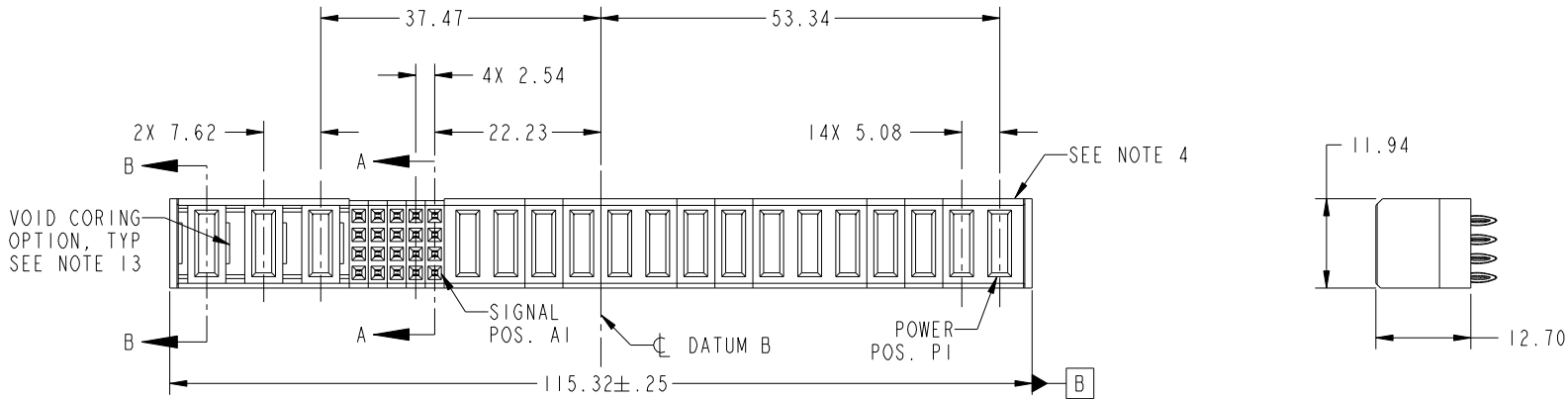


Tous droits strictement réservés. Reproduction ou communication a des tiers interdite sous quelque forme que ce soit sans autorisation écrite du propriétaire. Propriété de c.FCI. Droits de reproduction FCI.

All rights strictly reserved. Reproduction or issue to third parties in any form whatever is not permitted without written authority from the proprietor. Property of FCI. Copyright FCI.



PRODUCT NO.	ROWS	POWER			SIGNAL					POWER													
		P18	P17	P16	5	4	3	2	1	P15	P14	P13	P12	P11	P10	P9	P8	P7	P6	P5	P4	P3	P2
51940-126-- NOTE: 3	D C B A	PF	PF	PC	F	F	F	F	F	PF	PF	PC	PC	PF	PF	PC	PC	PF	PF	PC	PC	PF	PF



CODE	DIM"MM" MATING LENGTH	CONTACT TYPE}
PF	[2.34]	POWER
PC	[1.07]	POWER
F	N/A	SIGNAL

mat'l code				SEE NOTE		tolerances unless otherwise specified		CUSTOMER		 www.fciconnect.com	
lir	ecn no.	dr	date	linear	0.X ± 0.5	projection		title			
A	DG05-0039	SLuo	02/18/05	angles	0.XX ± 0.25			15P + 20S + 3P VERTICAL PF RECEPT			
B	DG07-0498	JW	09/15/08	dr	0.XXX ± 0.10			product family		code	
				engr	0° ± 2°	MM		PwrBlade		213	
				chr		scale		size		sheet	
				appd		1:1		A		1 of 4	
sheet index	revision sheet	B 1	B 2	B 3	B 4						

B

B

1 | 2

Pro/E

PDM: Rev:B

STAT: Released

Printed: Dec 20, 2010

3 |

4

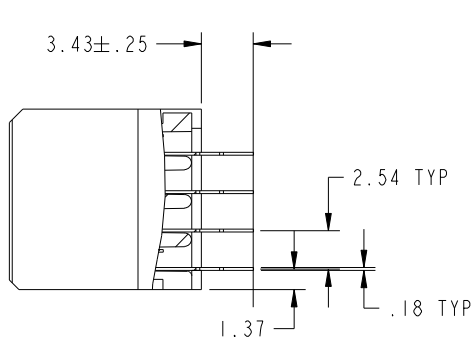
cage code 28516

Tous droits strictement reserves. Reproduction ou communication a des tiers interdite sous quelque forme que ce soit sans autorisation ecrite du proprietaire. Propriete de c.FCI. Droits de reproduction FCI.

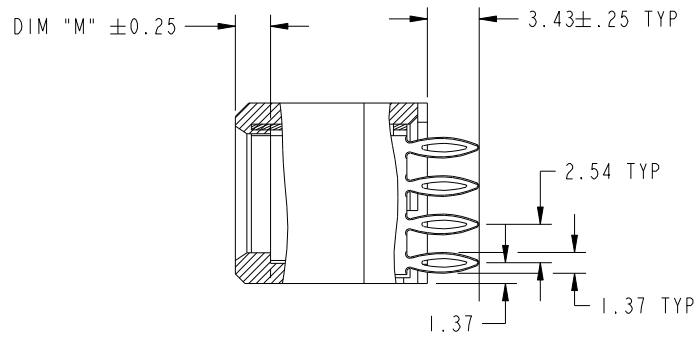
All rights strictly reserved. Reproduction or issue to third parties in any form whatever is not permitted without written authority from the proprietor. Property of FCI. Copyright FCI.



PRODUCT NUMBER  
51940-126--  
NOTE: 3



SECTION A-A  
SCALE 2:1



SECTION B-B  
SCALE 2:1

mat'l code		SEE NOTE		tolerances unless otherwise specified		CUSTOMER		 www.fciconnect.com	
lir	ecn no.	dr	date	linear	0.X ± 0.5	COPY		title	
B					0.XX ± 0.25	projection		15P + 20S + 3P VERTICAL PF RECEP	
				angles	0.XXX ± 0.10			product family	
				dr	0° ± 2°			PwrBlade	
				enr	SLuo 02/18/05	MM		size	code
				chr	SLuo 02/18/05			dwg no	213
				appd	VICTOR LIN 02/21/05	1:1		A	51940-126
					JOSEPH HSIA 02/21/05			sheet	2
sheet index	revision sheet								

cage code 2856

Pro/E

PDM: Rev: B

STATUS: Released

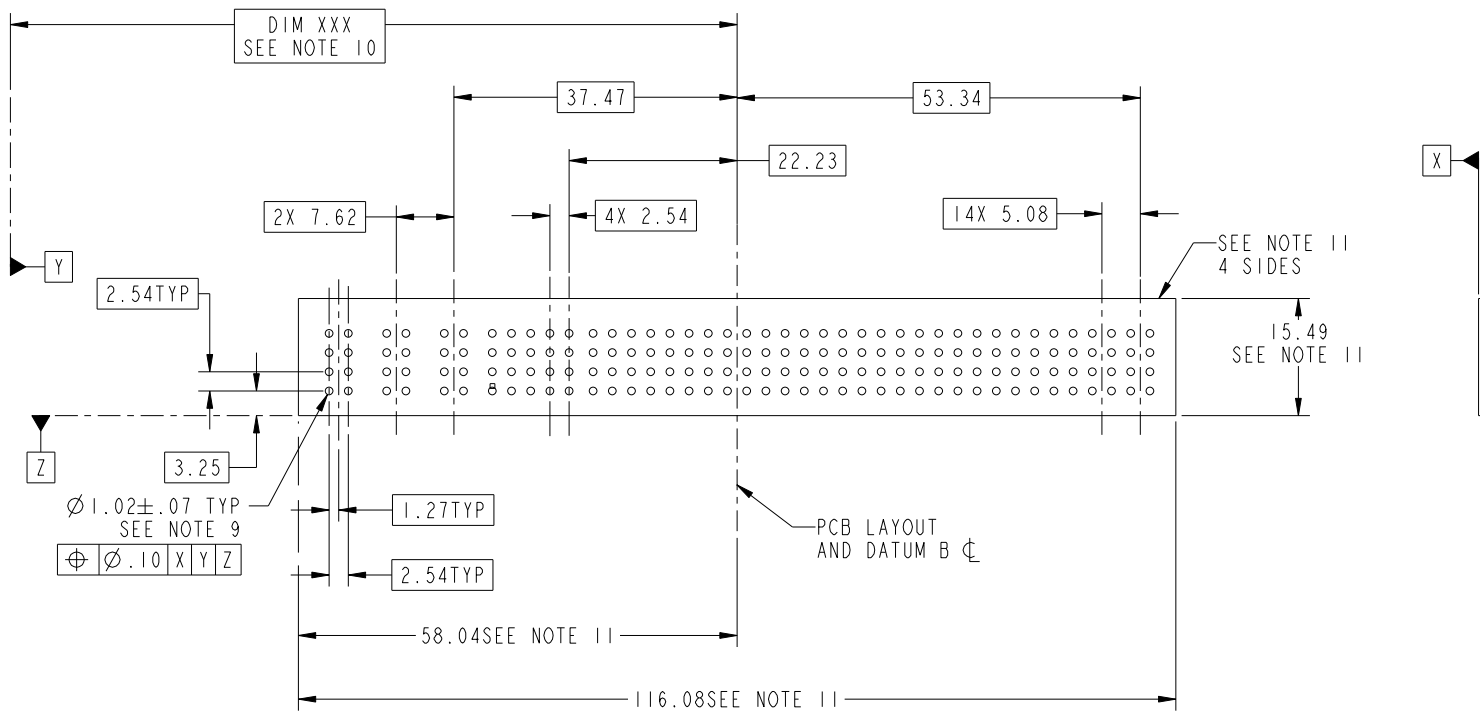
Printed: Dec 20, 2010

Tous droits strictement réservés. Reproduction ou communication a des tiers interdite sous quelque forme que ce soit sans autorisation écrite du propriétaire. Propriété de c.FCI. Droits de reproduction FCI.



All rights strictly reserved. Reproduction or issue to third parties in any form whatever is not permitted without written authority from the proprietor. Property of FCI. Copyright FCI.

PRODUCT NUMBER  
51940-126--  
NOTE: 3



mat'l code		SEE NOTE		tolerances unless otherwise specified		CUSTOMER		www.fciconnect.com	
lir	ecn no.	dr	date	linear	0.X ± 0.5	COPY		title	
B					0.XX ± 0.25	projection		15P + 20S + 3P VERTICAL PF RECEPT	
				angles	0.XXX ± 0.10			product family	
				dr	0° ± 2°			PwrBlade	
				enr	SLuo 02/18/05	MM		code	
				chr	SLuo 02/18/05			213	
				appd	VICTOR LIN 02/21/05	scale		sheet	
					JOSEPH HSIA 02/21/05	1:1		3	
sheet index	revision sheet							A 51940-126	

1 | 2

3 |

4

A

A

B

B

1 | 2

Pro/E

**PDM: Rev: B**

STATUS: **Released**

Printed: Dec 20, 2010

cage code 28526



PRODUCT NUMBER

51940-126--  
NOTE: 3

NOTES:

1. DIMENSIONS AND TOLERANCES ARE IN ACCORDANCE WITH ASME Y14.5M, 1994 UNLESS OTHERWISE SPECIFIED.

CONNECTOR NOTES:

2 HOUSING MATERIAL: UL 94 V-0 GLASS FILLED  
HIGH-TEMP THERMOPLASTIC  
POWER CONTACT MATERIAL: COPPER ALLOY  
SIGNAL PIN MATERIAL: COPPER ALLOY

3. PLATING:  
A/SEE ITEM 7&8 IN PRINT 10064183 FOR PLATING SPEC OF 51940-126; 51940-126LF RESPECTIVELY

4 MANUFACTURER'S NAME, P/N, AND DATE CODE TO APPEAR ON THIS SURFACE.

5. PRODUCT SPECIFICATION GS-12-149.  
APPLICATION SPECIFICATION BUS-20-067.

6. PACKAGED IN TRAYS.

PCB NOTES:

7. ALL HOLE DIAMETERS ARE FINISHED HOLE SIZE.

8 MOUNTING HOLES, WHERE APPLICABLE, ARE UNPLATED.

9  $\varnothing 1.151 \pm 0.025$  DRILLED HOLES PLATED WITH  
0.008 MIN SnPb OR Sn OVER 0.03  
TO 0.08 Cu PLATING TO ACHIEVE  
 $\varnothing 1.02 \pm .07$  HOLE.

10 "DIM XXX" TO BE DETERMINED BY THE CUSTOMER.

11 CONNECTOR KEEP-OUT ZONE.

12 A/B SYMBOL WILL BE NEXT TO ANY DIMENSION, VIEW, OR NOTE WHICH HAS BEEN MODIFIED WITH THE CURRENT DRAWING REVISION.

13. THE VOID CORING IN BETWEEN POWER MODULES, SIGNAL MODULES AND END MODULES ARE OPTIONAL AND THE SHAPE MAY BE DIFFERENT FOR OPTIMIZING THE MOLDING PROCESS. THE VOID CORING WILL NOT EFFECT TO PRODUCT FUNCTION.

mat'l code		SEE NOTE		tolerances unless otherwise specified		CUSTOMER		www.fciconnect.com	
lir	ecm no.	dr	date	linear	0.X ±0.5		projection	title	
B					0.XX ±0.25			15P + 20S + 3P VERTICAL PF RECEPT	
				angles	0.XXX ±0.10			product family	
					0° ±2°			PwrBlade	
				dr	SLuo	02/18/05	MM	code	
				enrg	SLuo	02/18/05		213	
				chr	VICTOR LIN	02/21/05	scale	size	
				appd	JOSEPH HSIA	02/21/05		A 51940-126	
sheet index	revision sheet							sheet	
								4	

A

A

B

B