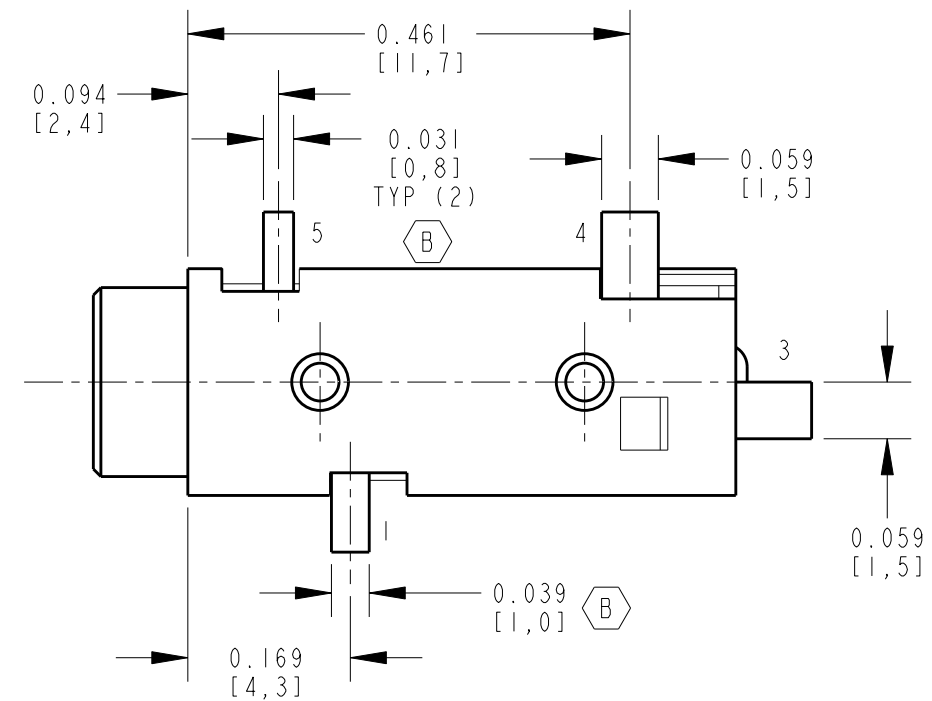
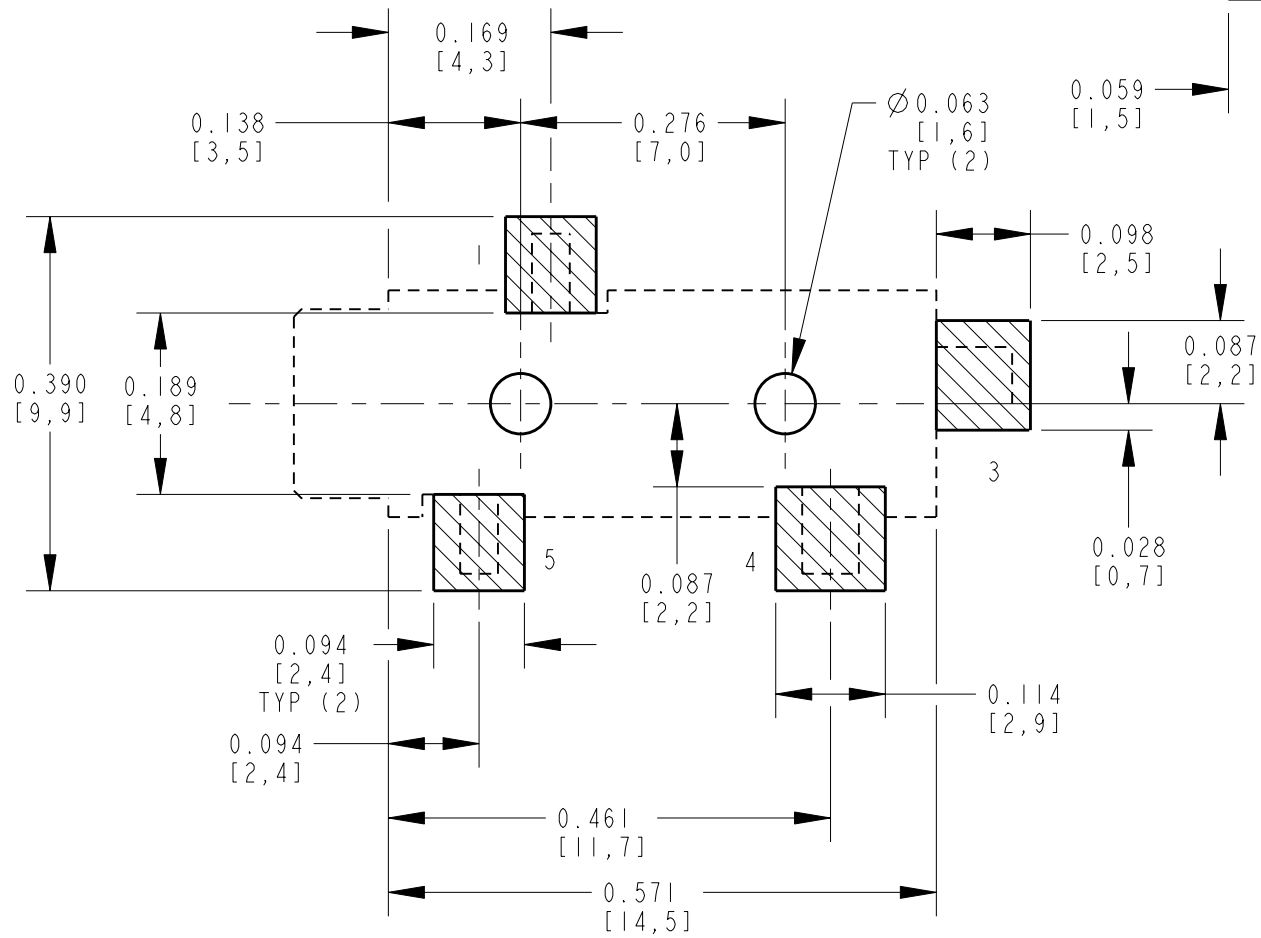
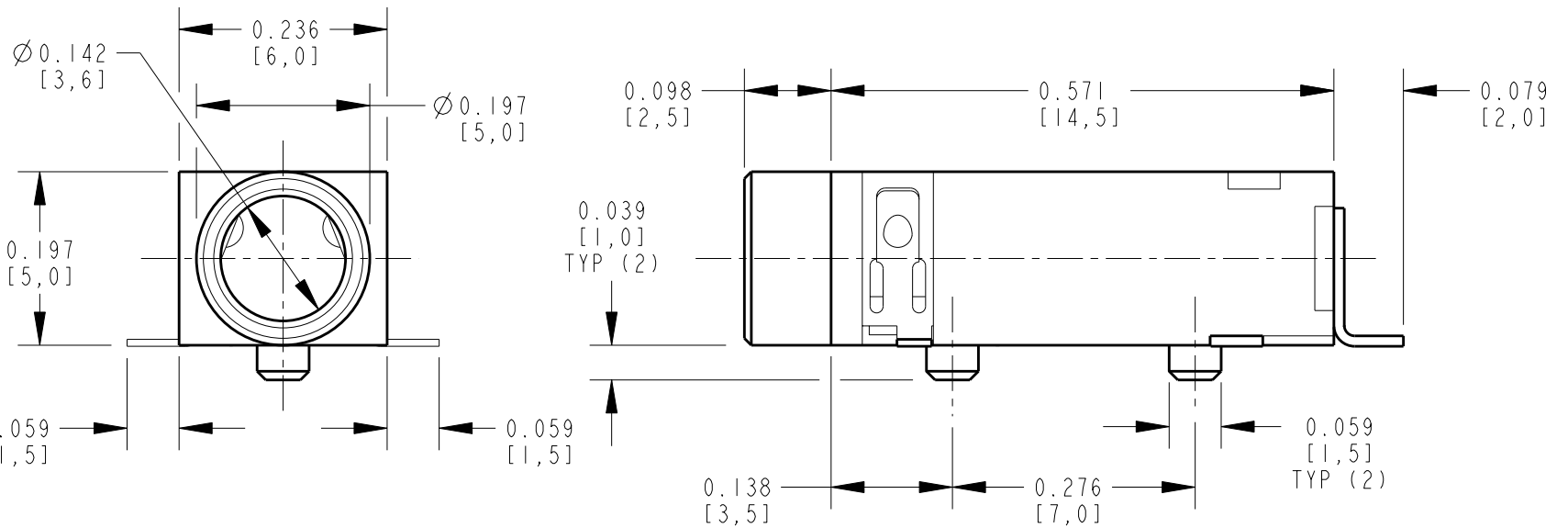
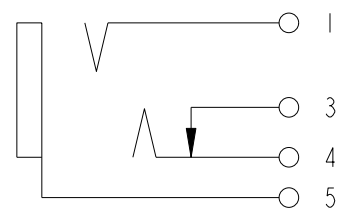


NOTES:

1. ALL DIMENSIONS ARE REFERENCE.
2. MATERIALS:
HOUSING: THERMOPLASTIC, BLACK
TERMINALS: COPPER ALLOY, GOLD PLATED (B)
3. SUPPLIED ON TAPE AND REEL, SEE SHEET 2.
4. THIS PRODUCT IS RoHS COMPLIANT.



CUSTOMER DRAWING



SCHEMATIC

| REV | ECO NUMBER | DATE | BY | APVD |
|-----|------------|---------|----|------|
| B | 26514 | 3-25-10 | RS | TJK |
| A | 25182 | 1-13-06 | JL | GG |

REVISIONS

★ STAR SYMBOL DENOTES CRITICAL DIMENSION

UNLESS OTHERWISE SPECIFIED

1. ALL DIMENSIONS IN INCHES
- TWO PLACE DECIMALS ± 0.01
- THREE PLACE DECIMALS ± 0.005
- ANGLES $\pm 1^\circ$
- ALL DIA. CONCENTRIC WITHIN 0.005 T.I.R.
2. FEATURES ON THE SAME CENTERLINE MUST BE ALIGNED WITHIN ± 0.002
3. REMOVE ALL BURRS

DO NOT SCALE DRAWING

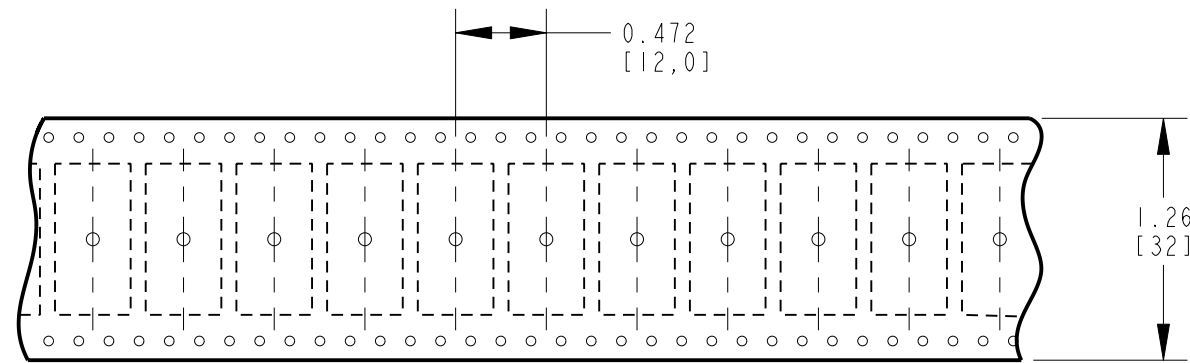
THIS DRAWING DESCRIBES A DESIGN CONSIDERED PROPRIETARY IN NATURE, DEVELOPED AND MANUFACTURED BY SWITCHCRAFT INC. AND IS RELEASED ON A CONFIDENTIAL BASIS FOR IDENTIFICATION PURPOSES ONLY.

| SIZE | WIDTH | MULT | LBS/M | TEMPER |
|--------------------------------------|-------|---------------|-------------------|--------|
| FINISH | | | | |
| SPEC No. | | | MATERIAL SPEC No. | |
| FIRST USED ON | | SCALE NONE | | |
| DATE DRAWN | BY | CHKD | APVD | |
| 13-Jan-06 | JL | GG 1-13-06 | GG 1-13-06 | |
| NAME | | | PART No. | |
| 3.5MM PHONE JACK SURFACE MOUNT, RoHS | | | 35RASMT3BHNTX | |
| SHEET 1 OF 2 | | | | REV B |

Switchcraft®

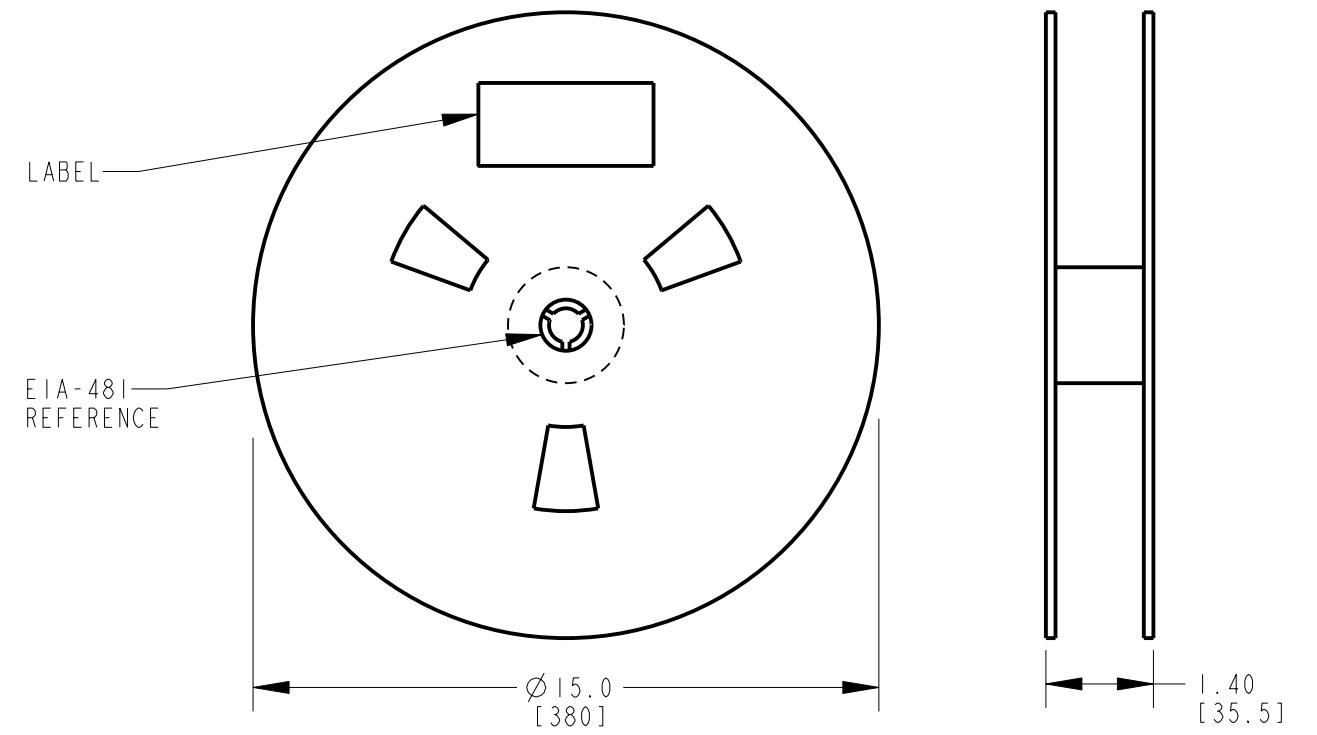
A: CARRIER SIZE

1. DETAIL SIZES REFERENCE: EIA-481
2. SPECIFICATION: 32 MM X 12 MM
3. COVER TAPE: SPECIFICATION ATTACHED (CONDUCTIVE)



B: REEL SIZE

1. QUANTITY: 750 PCS/REEL B
2. MATERIAL: THERMOPLASTIC



CUSTOMER DRAWING

| | | |
|-------------------------|---------------------------------|----------|
| SCALE NONE | Switchcraft [®] | |
| DATE DRAWN 13-Jan-06 | | |
| DRAWN BY JL | PART No. 35RASMT3BHNTX | REV B |