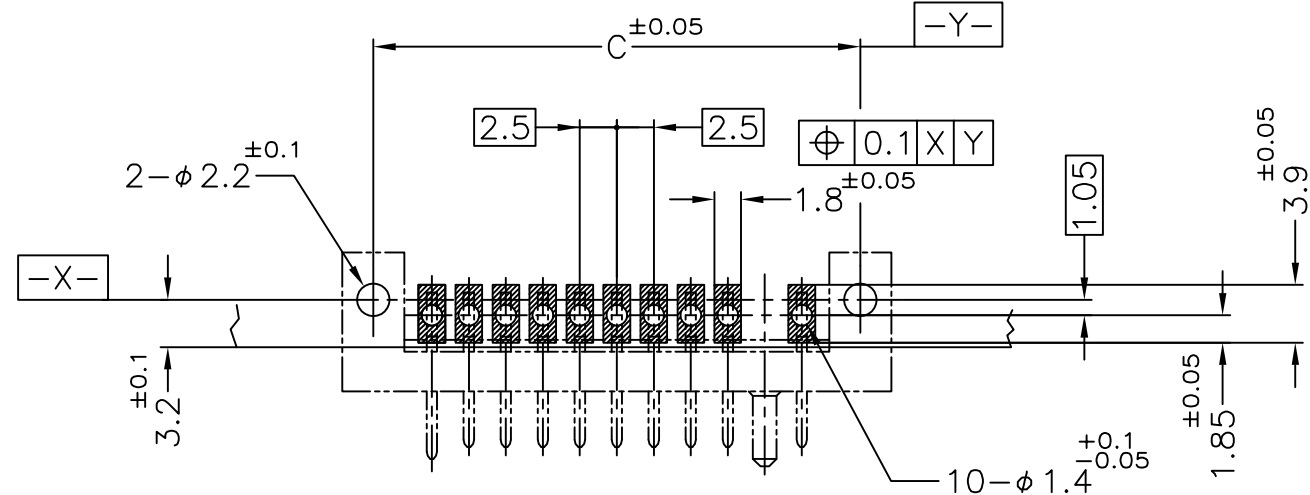
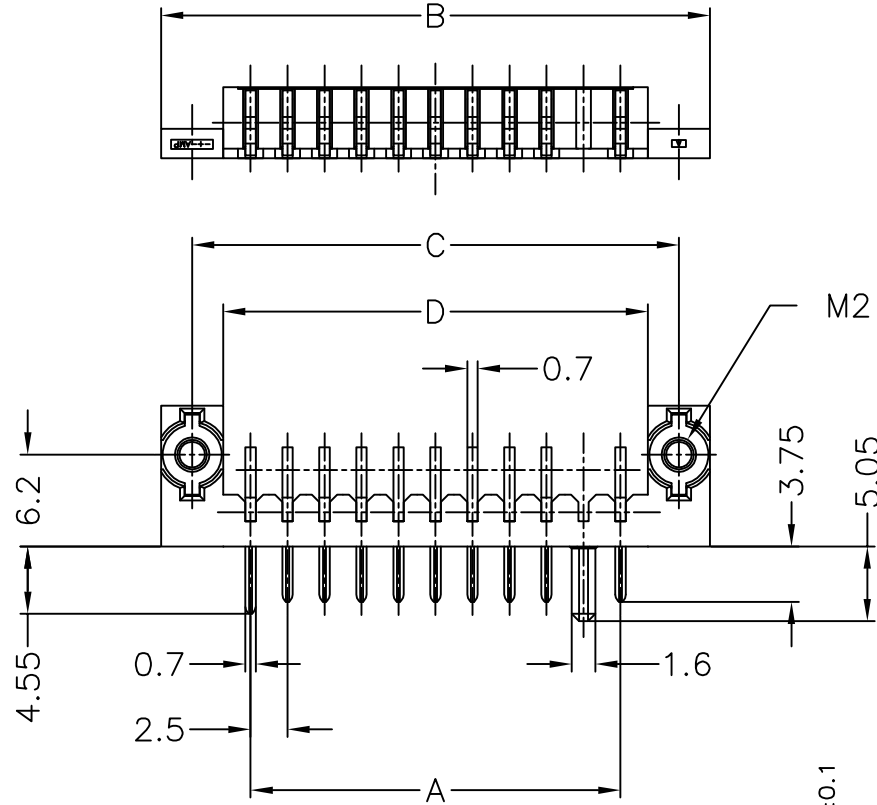


THIS DRAWING IS UNPUBLISHED. RELEASED FOR PUBLICATION

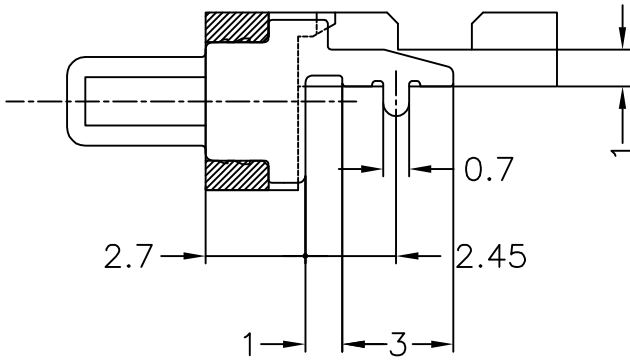
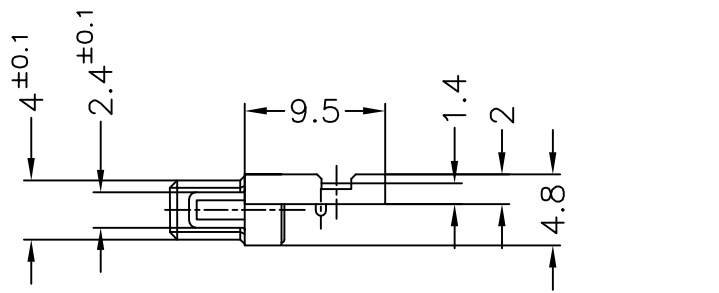
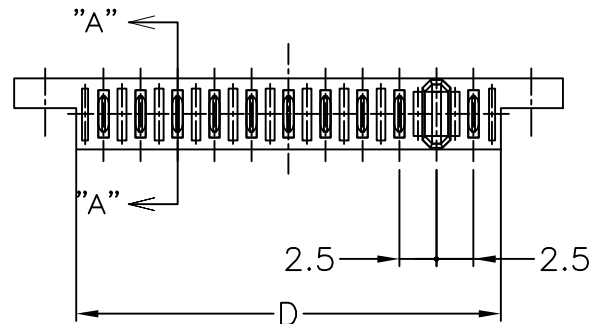
© COPYRIGHT BY TYCO ELECTRONICS CORPORATION. ALL RIGHTS RESERVED.

LOC	DIST	REVISIONS					
ES	-	P	LTR	DESCRIPTION	DATE	DWN	APVD
		B1		REVISED PER ECR-10-011717	30MAY2010	S.W	S.Y

-7 : AS SHOWN



RECOMMENDED P.C. BOARD LAYOUT
P.C. BOARD THK 0.8~1.2
(VIEW FROM CONNECTOR MOUNTING SIDE)



SECT. "A"-"A"
(SCALE:5-1)

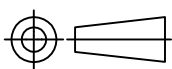
NOTES

- ① MATERIAL HOUSING : THERMOPLASTIC RESIN, UL94V-0
COLOR ; BLACK
CONTACT : COPPER ALLOY
NUT-PLATE : STAINLESS STEEL
- ② FINISH CONTACT : Ni ALL OVER UNDER PL
GOLD PL. AT CONTACT AREA
TIN-LEAD PL. AT LEAD AREA

28.7	32.9	37.1	25	10	1123738-7
26.2	30.4	34.6	22.5	9	1123738-6
23.7	27.9	32.1	20	8	1123738-5
21.2	25.4	29.6	17.5	7	1123738-4
18.7	22.9	27.1	15	6	1123738-3
16.2	20.4	24.6	12.5	5	1123738-2
13.7	17.9	22.1	10	4	1123738-1
D	C	B	A	N (POS)	P/N

THIS DRAWING IS A CONTROLLED DOCUMENT.

DIMENSIONS: MM



MATERIAL



TOLERANCES UNLESS OTHERWISE SPECIFIED:

- 0-PLG ± 0.15
- 1-PLG ±
- 2-PLG ±
- 3-PLG ±
- 4-PLG ±
- ANGLES ± 3'
- FINISH



DWN	T.KUSUHARA	19FEB98
CHK	I.ENOMOTO	20FEB98
APVD	I.ENOMOTO	20FEB98
PRODUCT SPEC	108-5775	
APPLICATION SPEC		
WEIGHT		
CUSTOMER DRAWING		

Tyco Electronics Tyco Electronics
Shanghai, P.R.China, 200233

NAME
PLUG ASSEMBLY
2.5mm PITCH BATTERY CONNECTOR
(10POS. OFF SET TYPE)

SIZE	CAGE CODE	DRAWING NO	RESTRICTED TO
A3	00779	C=1123738	

SCALE 2:1 SHEET 1 OF 1 REV B1