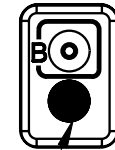
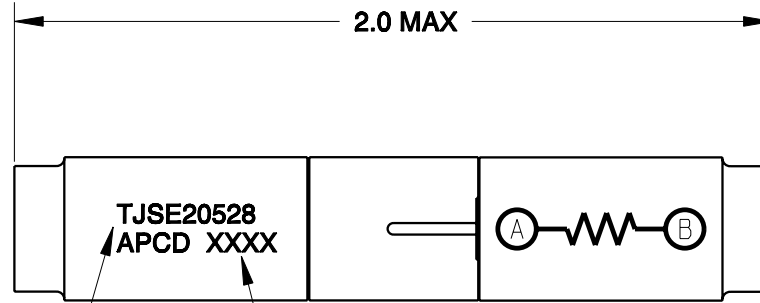
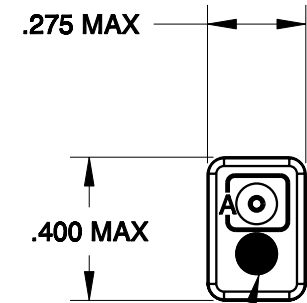


| REV | ECN | APP'D |
|-----|-----|-------|
| 1 | | |



SEAL HOLE
SILICONE RTV

WHITE MARKING
.06 HT

DATE CODE

SEAL HOLE
SILICONE RTV

NOTES:

1. MATERIALS:

HOUSING: POLYETHERIMIDE, COLOR BLACK
GROMMET: SILICONE ELASTOMER, COLOR BLUE
INTERNAL CONTACT: COPPER ALLOY, GOLD PLATED,
PER MIL-G-45204, TYPE I, GRADE C, CLASS I.

CONTACT RETAINER: STAINLESS STEEL

**2. SPLICE ACCEPTS (2) MATING M39029/1-101 CONTACTS
(NOT INCLUDED)**

3. PART COMPLIES TO ALL REQUIREMENTS PER MIL-T-81714.

4. RESISTOR: 2K Ω , 1/4W

| | | | | | | | |
|--|---|-----------------------|--|-------------|--|------------------|-----------------------------|
| DIMENSIONS ANSI Y14.5M UNITS: INCHES Pro/E FILE | TOLERANCES .XX ± 0.01 .XXX ± 0.005 ANGLES $\pm 2.0^\circ$ | PROJECTION | <h1>Amphenol Pcd</h1> <p>SPECIFICATION DRAWING</p> | | TITLE WIRE SPLICE, ELECTRONIC RESISTOR, 2K Ω , 1/4W SIZE 20 | | |
| | | | ENGR D. LANG 03/24/06 | | | SIZE A | DWG NO. TJSE20528 |
| THIS DOCUMENT CONTAINS PROPRIETARY INFORMATION WHICH IS THE CONFIDENTIAL PROPERTY OF AMPHENOL PCD INC., PEABODY, MA | | | CHKD | CODE: 58982 | | SCALE: 2:1 | SHEET 1 OF 1 |