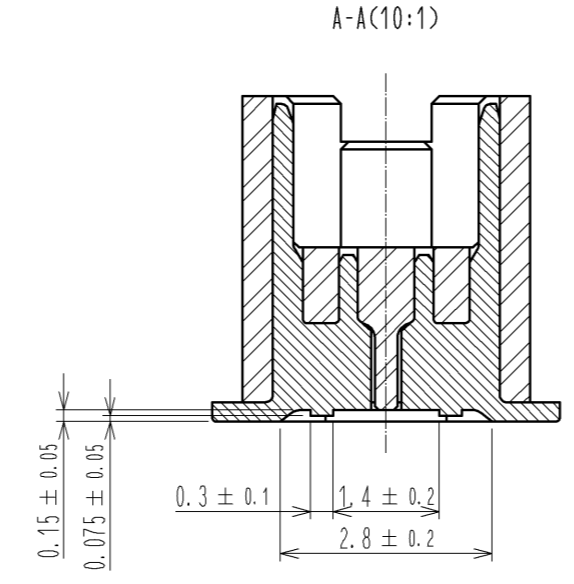
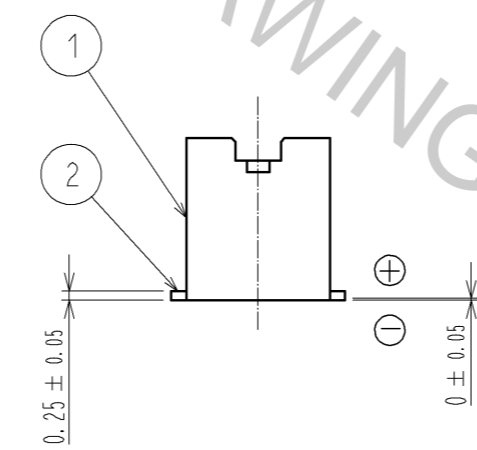
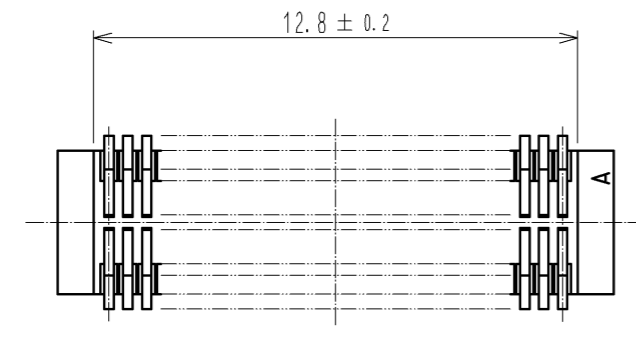
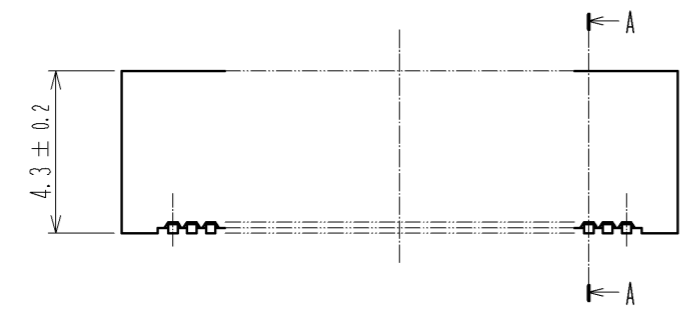
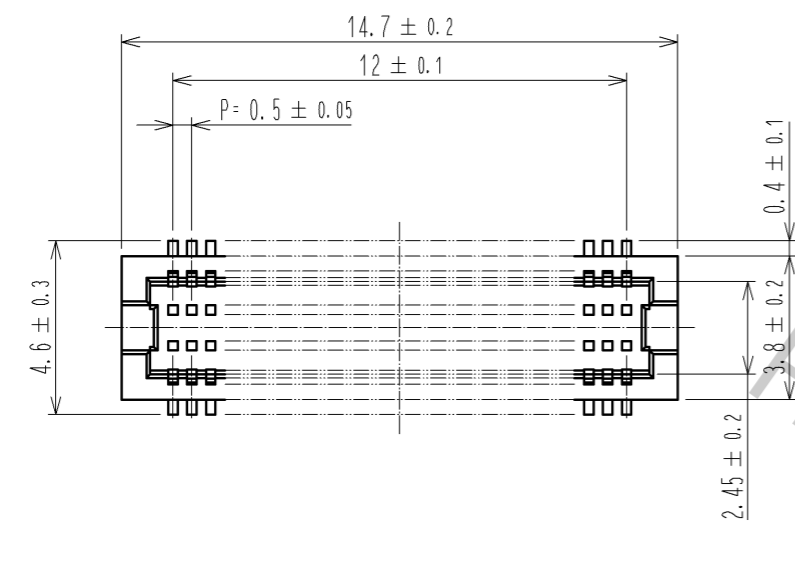
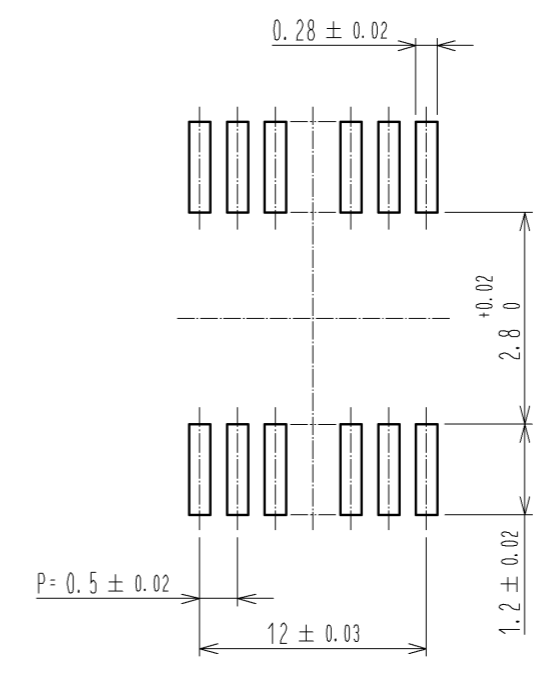


Apr.1.2017 Copyright 2017 HIROSE ELECTRIC CO., LTD. All Rights Reserved.

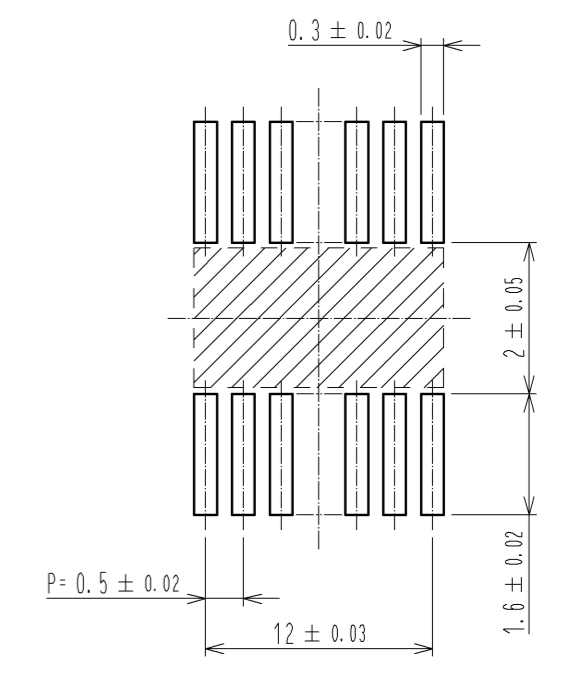


RECOMMEND METAL MASK PATTERN (10:1)

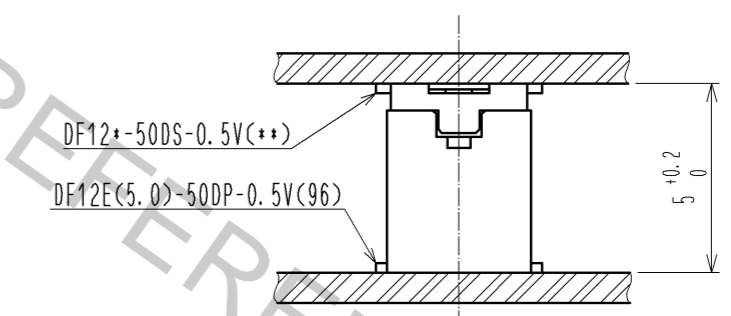


RECOMMENDED THICKNESS OF METAL MASK : 120 μm

RECOMMEND LAND PATTERN (10:1)

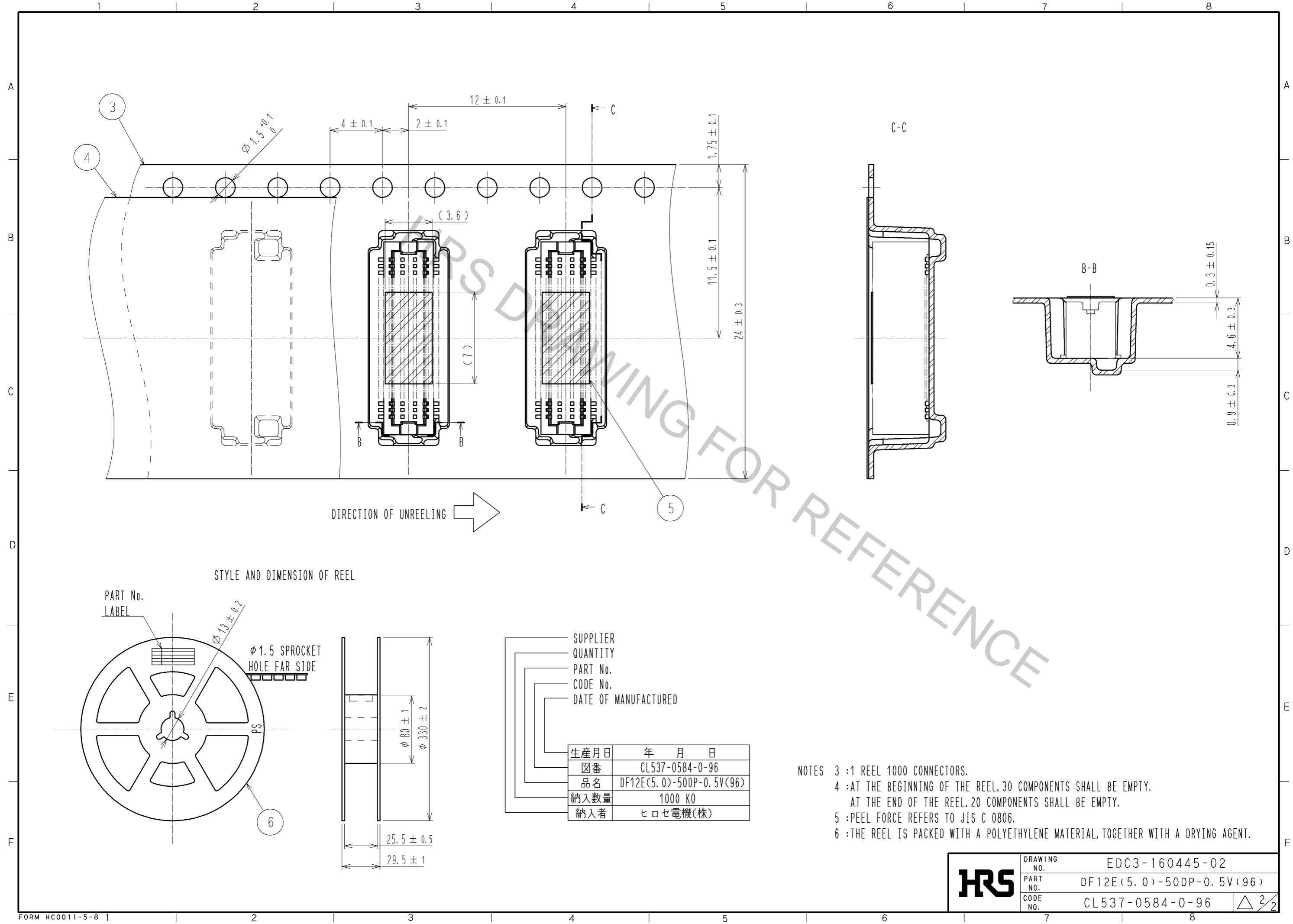


RECOMMENDED THICKNESS OF SOLDER PAST : 120 μm



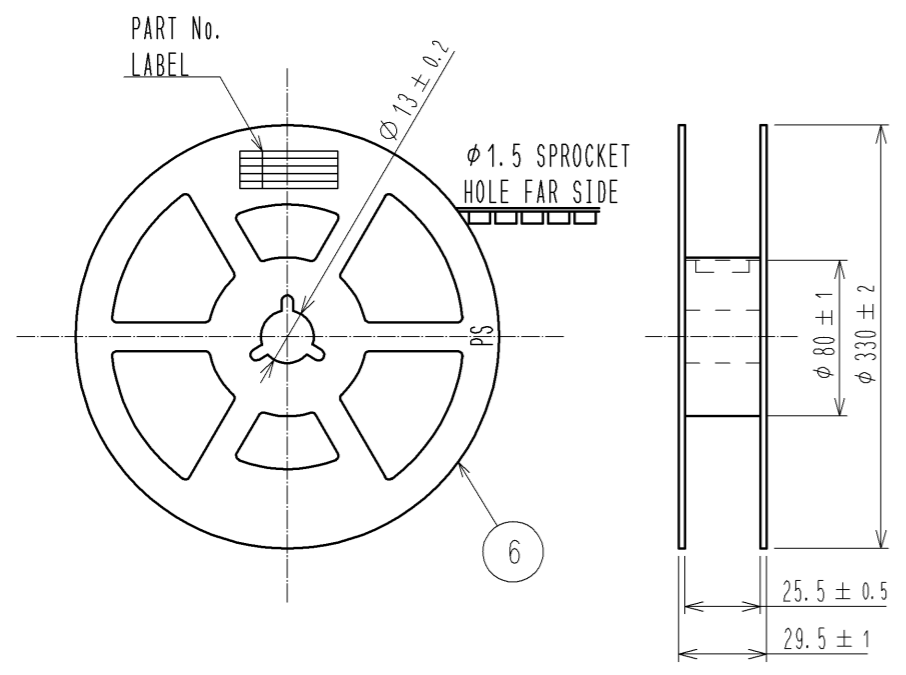
NOTES 1 : LEAD CO-PLANARITY SHALL BE 0.08mm MAX.
 2 : IF THERE IS PATTERN ON PART, THERE IS A POSSIBILITY THAT IT WILL MAKE CONTACT WITH THE LEADS.

2	PHOSPHOR BRONZE	CONTACT AREA:GOLD PLATED 0.2μm min LEAD AREA:GOLD PLATED 0.015μm min OTHERS(UNDER PLATING):NICKEL PLATED 2μm min	6	POLYIMIDE	BROWN(HEAT RESISTANCE TAPE)			
			5	PS	BLACK(PLASTIC REEL)			
			4	POLYESTER	CLEAR(COVER TAPE)			
1	POLYAMIDE	UL94V-0. NATURAL (BEIGE)	3	PS	CLEAR(EMBOSSED CARRIER TAPE)			
NO.	MATERIAL	FINISH . REMARKS	NO.	MATERIAL	FINISH . REMARKS			
UNITS mm		SCALE 5 : 1		COUNT	DESCRIPTION OF REVISIONS	DESIGNED	CHECKED	DATE
HRS HIROSE ELECTRIC CO., LTD.		APPROVED : KH. IKEDA 09.02.18	DRAWING NO. EDC3-160445-02					
		CHECED : TS. MIYAZAKI 09.02.18	PART NO. DF12E(5.0)-50DP-0.5V(96)					
		DESIGNED : TY. YAMASAKI 09.02.12	CODE NO. CL537-0584-0-96					
		DRAWN : AK. AOYAGI 09.02.12						



DIRECTION OF UNREELING

STYLE AND DIMENSION OF REEL



SUPPLIER
QUANTITY
PART No.
CODE No.
DATE OF MANUFACTURED

生産月日	年 月 日
図番	CL537-0584-0-96
品名	DF12E(5.0)-50DP-0.5V(96)
納入数量	1000 KO
納入者	ヒロセ電機(株)

- NOTES
- 3 : 1 REEL 1000 CONNECTORS.
 - 4 : AT THE BEGINNING OF THE REEL, 30 COMPONENTS SHALL BE EMPTY.
AT THE END OF THE REEL, 20 COMPONENTS SHALL BE EMPTY.
 - 5 : PEEL FORCE REFERS TO JIS C 0806.
 - 6 : THE REEL IS PACKED WITH A POLYETHYLENE MATERIAL, TOGETHER WITH A DRYING AGENT.

HRS	DRAWING NO.	EDC3-160445-02
	PART NO.	DF12E(5.0)-50DP-0.5V(96)
	CODE NO.	CL537-0584-0-96
		2/2