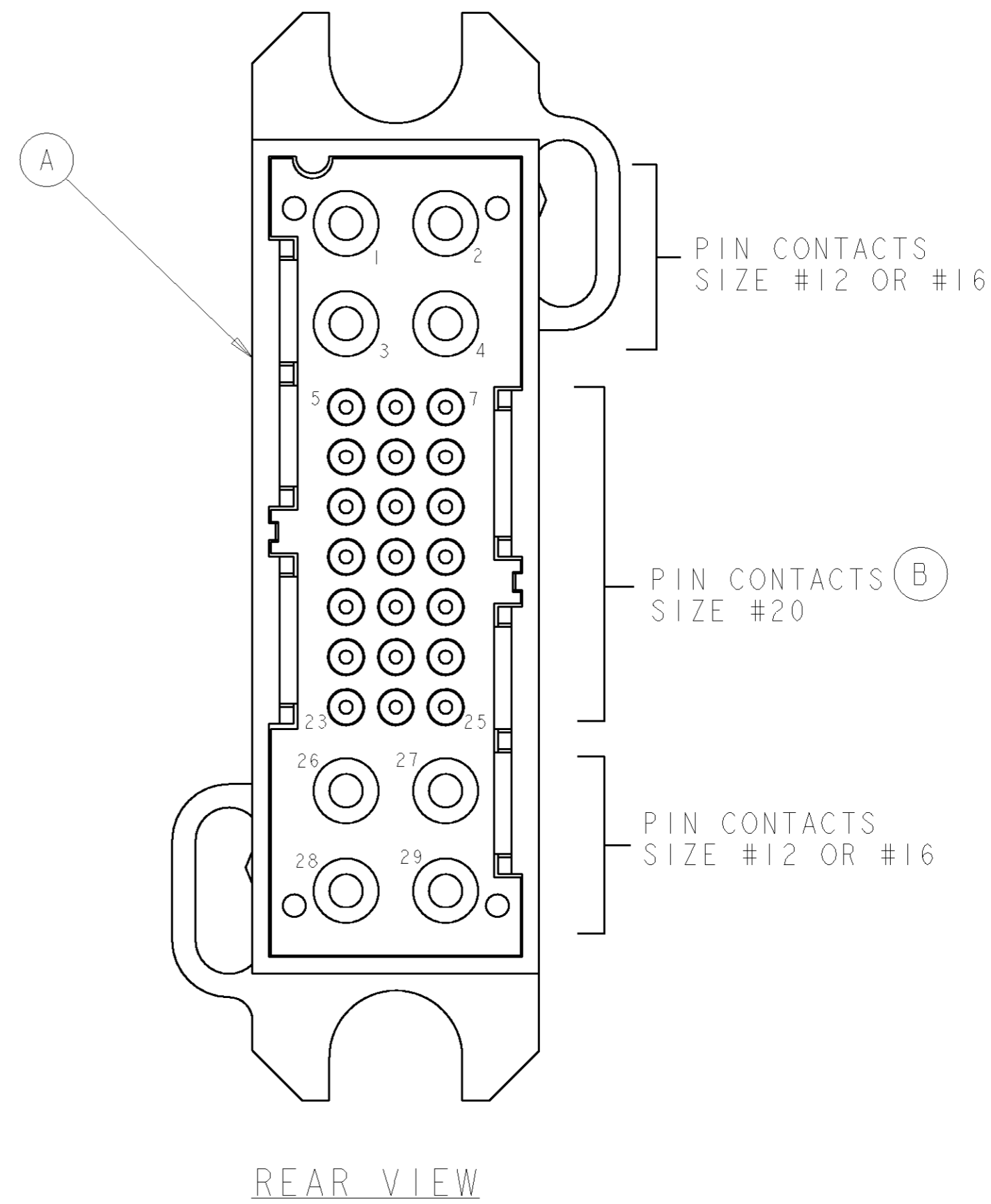
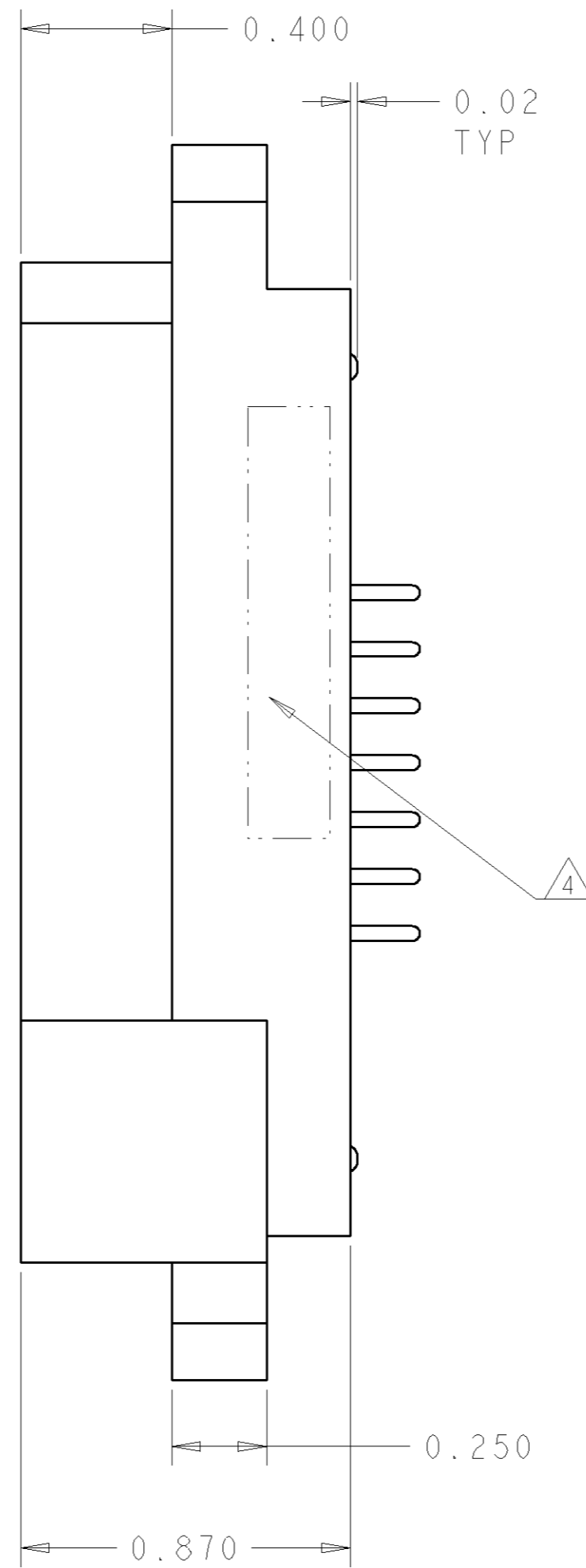
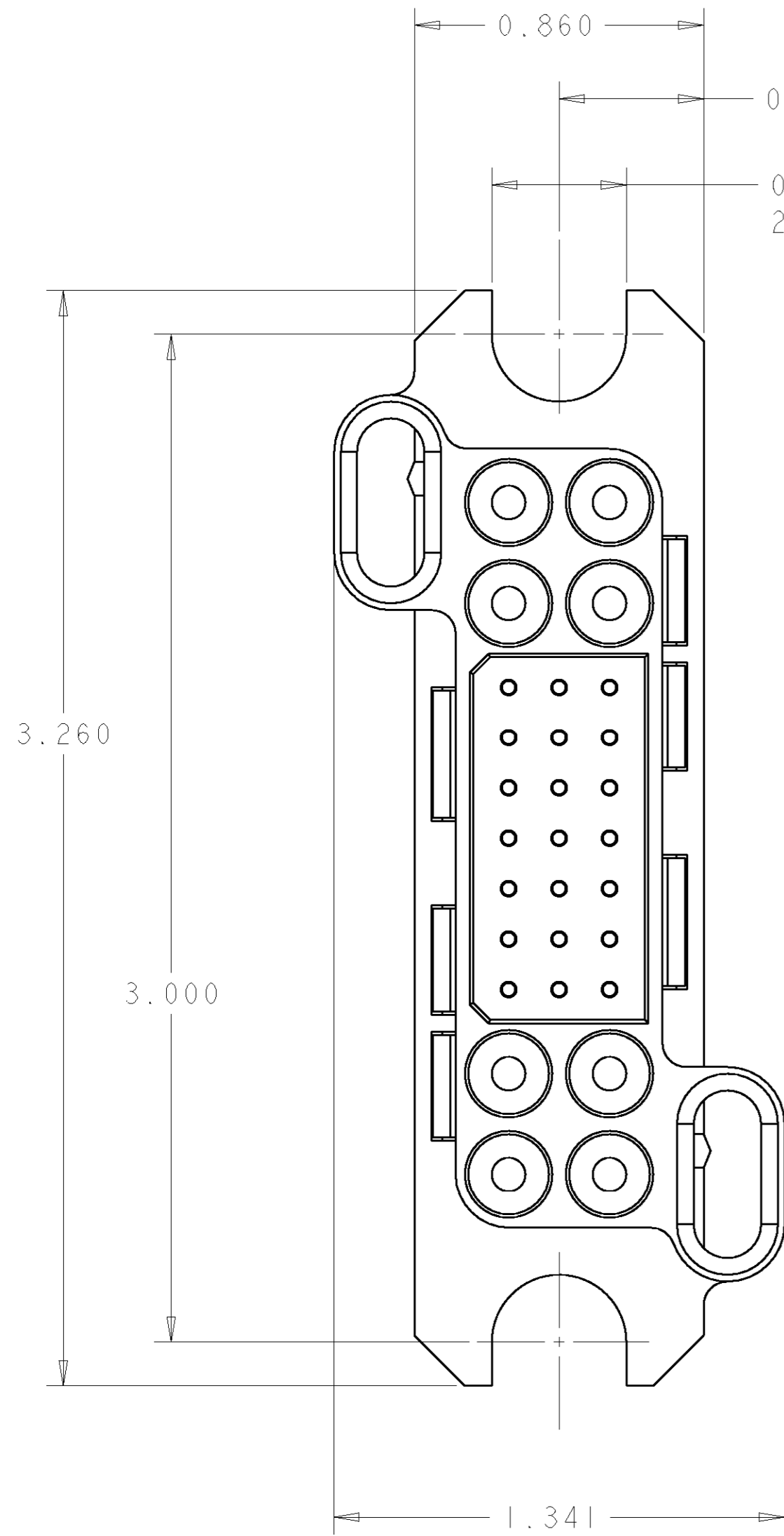


THIS DRAWING IS UNPUBLISHED. RELEASED FOR PUBLICATION 20  
 © COPYRIGHT 20 BY TYCO ELECTRONICS CORPORATION. ALL RIGHTS RESERVED.

LOC	DIST	REVISIONS					
GP	00	P	LTR	DESCRIPTION	DATE	DWN	APVD
			A	RELEASED	08MAY2006	RG	SF



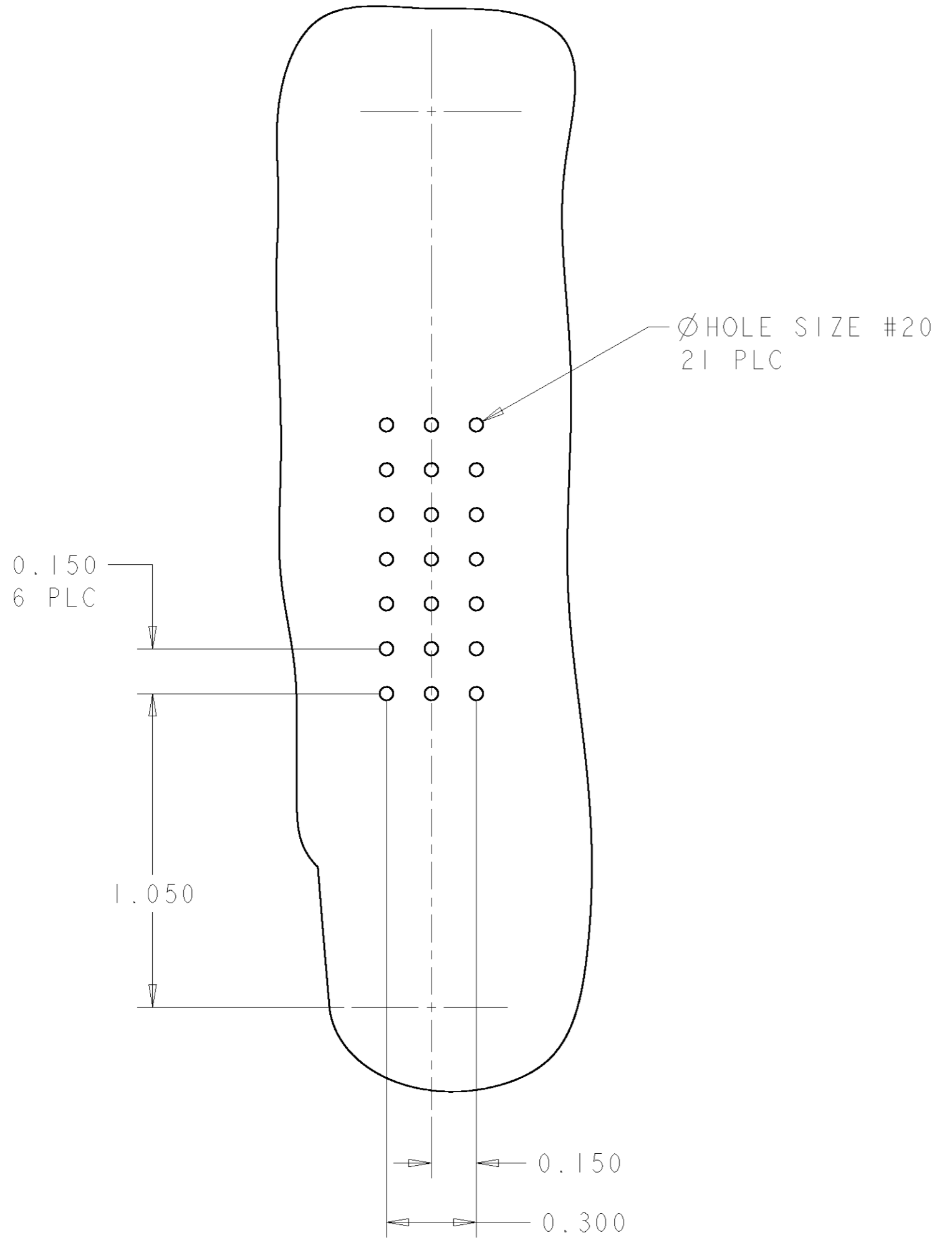
AS SHOWN	1926157-1
DESCRIPTION	PART NUMBER

THIS DRAWING IS A CONTROLLED DOCUMENT FOR TYCO ELECTRONICS CORPORATION IT IS SUBJECT TO CHANGE AND THE CONTROLLING ENGINEERING ORGANIZATION SHOULD BE CONTACTED FOR THE LATEST REVISION.		DWN R. GRZYBOWSKI 21 JUN06 CHK S. FLICKINGER 21 JUN06 APVD S. FLICKINGER 21 JUN06	<b>tyco</b> <b>Electronics</b> Tyco Electronics Harrisburg, PA 17105-3608
DIMENSIONS: INCHES 	TOLERANCES UNLESS OTHERWISE SPECIFIED: 0 PLC ± 1 PLC ± 2 PLC ±.02 3 PLC ±.010 4 PLC ± ANGLES ±.5 FINISH	PRODUCT SPEC - APPLICATION SPEC - WEIGHT - CUSTOMER DRAWING	NAME CONNECTOR ASSEMBLY PIN LOWER DRAWER SIZE A2 CAGE CODE 00779 DRAWING NO. 1926157 RESTRICTED TO - SCALE 3:1 SHEET 1 OF 2 REV A

**ELCON LOWER DRAWER**

THIS DRAWING IS UNPUBLISHED. RELEASED FOR PUBLICATION 20  
 © COPYRIGHT 20 BY TYCO ELECTRONICS CORPORATION. ALL RIGHTS RESERVED.

LOC	DIST	REVISIONS					
		P	LTR	DESCRIPTION	DATE	DWN	APVD
GP	00			SEE SHEET 1	-	-	-



- PART NUMBER CHANGES AND OR DESIGN CHANGES AFFECTING THE INTERCHANGEABILITY REQUIRE PRIOR TYCO APPROVAL AND AUTHORIZATION BY REVISION TO THIS DRAWING.
- MATERIAL:  
 INSULATOR: THERMOPLASTIC, GLASS REINFORCED, UL 94V-0  
 FLAMMABILITY RATED, COLOR: BLACK  
 CONTACT: COPPER ALLOY  
 RETENTION CLIP: BERYLLIUM COPPER OR STAINLESS STEEL
- FINISH:  
 CONTACTS SIZE #20 BODY : GOLD .000030 MIN THK.  
 OVER NICKEL .00040 MIN THK.

△ ITEMS PROVIDED TO THIS SPECIFICATION TO BE PERMANENTLY IDENTIFIED PER THE FOLLOWING IDENTIFIER:

YEAR | WEEK

TYCO PART NUMBER                      DATE CODE (e.g. 0216)

XXXXXXX-X                                      XXXX

△ SOLDER TAIL CONTACTS (ITEMS B) ARE INSERTABLE/NON-REMOVABLE.

PRINTED CIRCUIT BOARD LAYOUT  
 VIEW FROM CONNECTOR MOUNTING SIDE

HOLE SIZE #20  
 FINISHED HOLE:  $\varnothing .047 \pm .003$   
 DRILLED HOLE:  $\varnothing .0453 \pm .0005$   
 COPPER PLATE: .0010 MIN  
 TIN PLATE: .00030 MIN

△ 21	1650283-1	CONTACT, PIN, #20, SOLDER TAIL, STD	B
1	1648203-1	HOUSING, PIN, FLOAT MOUNT	A
-1	PART NUMBER	DESCRIPTION	ITEM

**ELCON LOWER DRAWER**

THIS DRAWING IS A CONTROLLED DOCUMENT FOR TYCO ELECTRONICS CORPORATION IT IS SUBJECT TO CHANGE AND THE CONTROLLING ENGINEERING ORGANIZATION SHOULD BE CONTACTED FOR THE LATEST REVISION.		DWN R. GRZYBOWSKI 21 JUN 06 CHK S. FLICKINGER 21 JUN 06 APVD S. FLICKINGER 21 JUN 06	<b>tyco</b> Tyco Electronics Harrisburg, PA 17105-3608
DIMENSIONS: INCHES	TOLERANCES UNLESS OTHERWISE SPECIFIED: 0 PLC ± 1 PLC ± 2 PLC ±.02 3 PLC ±.010 4 PLC ± ANGLES ±.5 FINISH	PRODUCT SPEC APPLICATION SPEC WEIGHT CUSTOMER DRAWING	NAME CONNECTOR ASSEMBLY PIN LOWER DRAWER SIZE CAGE CODE DRAWING NO RESTRICTED TO A200779G-1926157 -
		SCALE 3:1	SHEET 2 OF 2 REV A