

**Modular Crimp  
Tooling Kit**

**Application Tooling  
Specification Sheet**

**Order No. 19289-0600**

**SCOPE**

**Tooling:** The Square “DIN” style die sets are used with two machines and each machine requires an adapter for the square “DIN” dies. The Molex UP60, order number 63801-8900 will process the square “DIN” style die sets with the 63801-8901 adapter. The Molex 12 ton battery crimp tool, order number 63816-1000 will process the square “DIN” style die sets with the 63816-1100. Refer to the appropriate crimper instruction manual for installation and operation information.

**Products:** Imperium Max6 Pin Terminals 2 AWG.

**Testing**

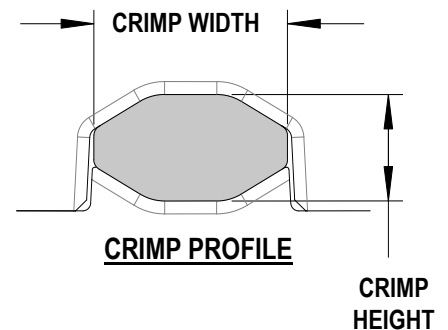
The tensile test or pull test is a means of evaluating the mechanical properties of the crimped connections. The following chart shows the specifications for the wire size. The tensile strength is shown in Newtons and (pounds) and indicates the minimum acceptable force to break or separate the terminal from the conductor.

Wire Size (AWG)	Minimum Pull (UL 486)
2	801N (180 lbs.)

**Crimp measurement**

After crimping, the terminal crimp profiles should measure the following:

Terminal Series No.	Wire Size		Crimp Height (Ref)		Crimp Width (Ref)	
	AWG	Wire Style	mm	In.	mm	In.
173048-2001	2	Bare Copper	5.95-6.15	.234-.242	9.65-9.80	.380-.386



The following is a Partial List of the Product Part Numbers and their specifications that this tooling is designed to crimp. We will be adding to this list and an up to date copy is available on [www.molex.com](http://www.molex.com).

Terminal Series	Terminal No.	Wire Size (AWG)	Wire Strands / AWG	Wire Strip Length	
				In	mm
173048	173048-2001	2 (Bare Copper)	665 / 30	0.87	22

**CAUTION: Molex crimp specifications are valid only when used with Molex terminals and tooling.**

### Crimp Tooling Kit Parts List

Item Number	Order Number	Description	Quantity
	<b>19289-0600</b>	<b>Crimp Tooling Kit – 2 AWG</b>	<b>REF</b>
1	19289-0601	Conductor Anvil	1
2	19289-0602	Conductor Punch	1

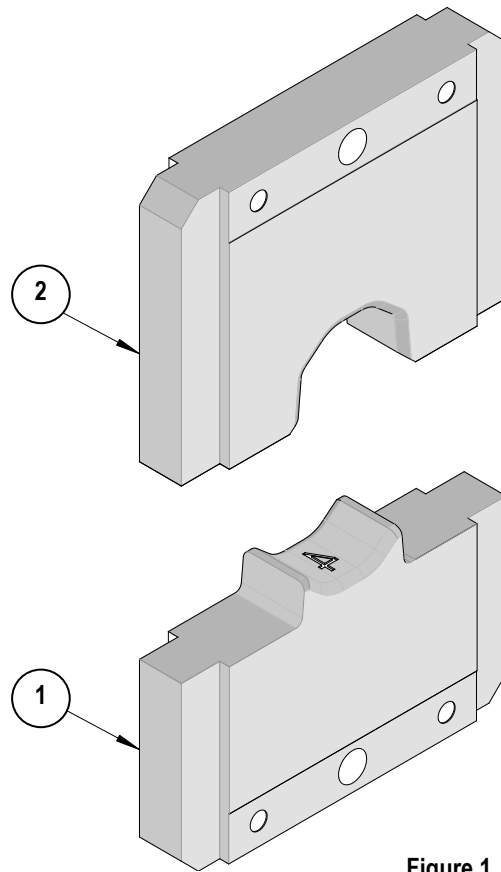


Figure 1

Visit our Web site at <http://www.molex.com>