

- Ⓜ Maximum Reflow Temperature: 235°C (245°C for RoHS compliant)
- Ⓜ Storage Temperature:-55°C to +130°C
- Ⓜ Moisture Sensitivity Level(MSL):1
- Ⓜ Can be made available in a RoHS configuration by special request (Sn100 lead finish)

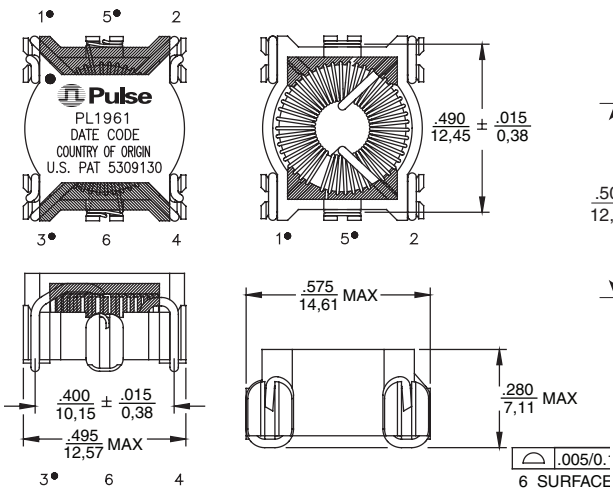
Electrical Specifications @ 25°C — Operating Temperature -40°C to +130°C

Part ^{5,6} Number	Turns Ratio	Current Rating (A)	Secondary Inductance (mH MIN)	DCR Primary (1,3-2,4) (mΩ MAX)	DCR Secondary (5-6) (mΩ MAX)	Hipot
PL1961	1:1:200	15.00	59.200	2.30	4200.0	500

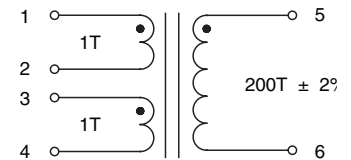
NOTES:

1. The temperature of the component (ambient temperature plus temperature rise) must be within the specified operating temperature range.
2. The maximum current rating is based upon temperature rise of the component and represents the dc current which will cause a typical temperature rise of 40°C with no air flow when both one turn windings connected in parallel.
3. To calculate the value of the terminating resistor (Rt) use the following formula: $R_t (\Omega) = V_{REF} * N / (I_{peak_primary})$
4. The peak flux density of the device must remain below 2000 Gauss. To calculate the peak flux density for a uni-polar current use the following formula:
 $B_{PK} = 14.29 * V_{REF} * (Duty_Cycle_Max) * 10^8 / (N * Freq_kHz)$
 * for bi-polar current applications divide B_{PK} as calculated above by 2.
5. For RoHS compliant parts add suffix NL to the part number.
6. Add T suffix to the part number for tape and reel packaging.

Mechanical



Schematic



Weight 2.10 grams
 Tape & Reel 300/reel
 Tube 40/tube

Dimensions: Inches / mm
 Unless otherwise specified, all tolerances are ± .010 / 0.25

For More Information

Pulse North America Headquarters
 Two Pearl Buck Court
 Bristol, PA 19007
 U.S.A.

Pulse Europe
 Zeppelinstrasse 15
 71083 Herrenberg
 Germany

Pulse China Headquarters
 B402, Shenzhen Academy of
 Aerospace Technology Bldg.
 10th Kejinan Road
 High-Tech Zone
 Nanshan District
 Shenzhen, PR China 518057
 Tel: 86 755 33966678
 Fax: 86 755 33966700

Pulse North China
 Room 2704/2705
 Super Ocean Finance Ctr.
 2067 Yan An Road West
 Shanghai 200336
 China
 Tel: 86 21 62787060
 Fax: 86 21 62786973

Pulse South Asia
 135 Joo Seng Road
 #03-02
 PM Industrial Bldg.
 Singapore 368363

Pulse North Asia
 3F No. 198, Zhongyuan Road
 Zhongli City
 Taoyuan County (32068)
 Taiwan
 Tel: 886 3 4356768
 Fax: 886 3 4356823

Tel: 215 781 6400
 Fax: 215 781 6403

Tel: 49 7032 7806 0
 Fax: 49 7032 7806 12

Tel: 65 6287 8998
 Fax: 65 6287 8998

Performance warranty of products offered on this data sheet is limited to the parameters specified. Data is subject to change without notice. Other brand and product names mentioned herein may be trademarks or registered trademarks of their respective owners. © Copyright, 2017, Pulse Electronics, Inc. All rights reserved.