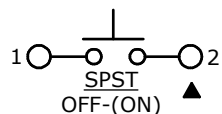


RECOMMENDED PANEL MOUNTING

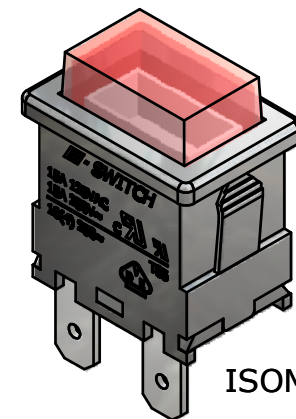
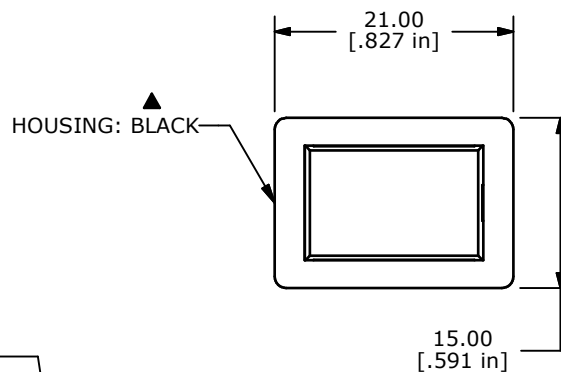
PANEL THICKNESS	X
0.75 - 1.25	19.10 - 19.20
1.25 - 2.00	19.30 - 19.40
2.00 - 3.00	19.50 - 19.60



SWITCH FUNCTION	
POS. 1	POS. 2
OFF	(ON)
OPEN	1-2

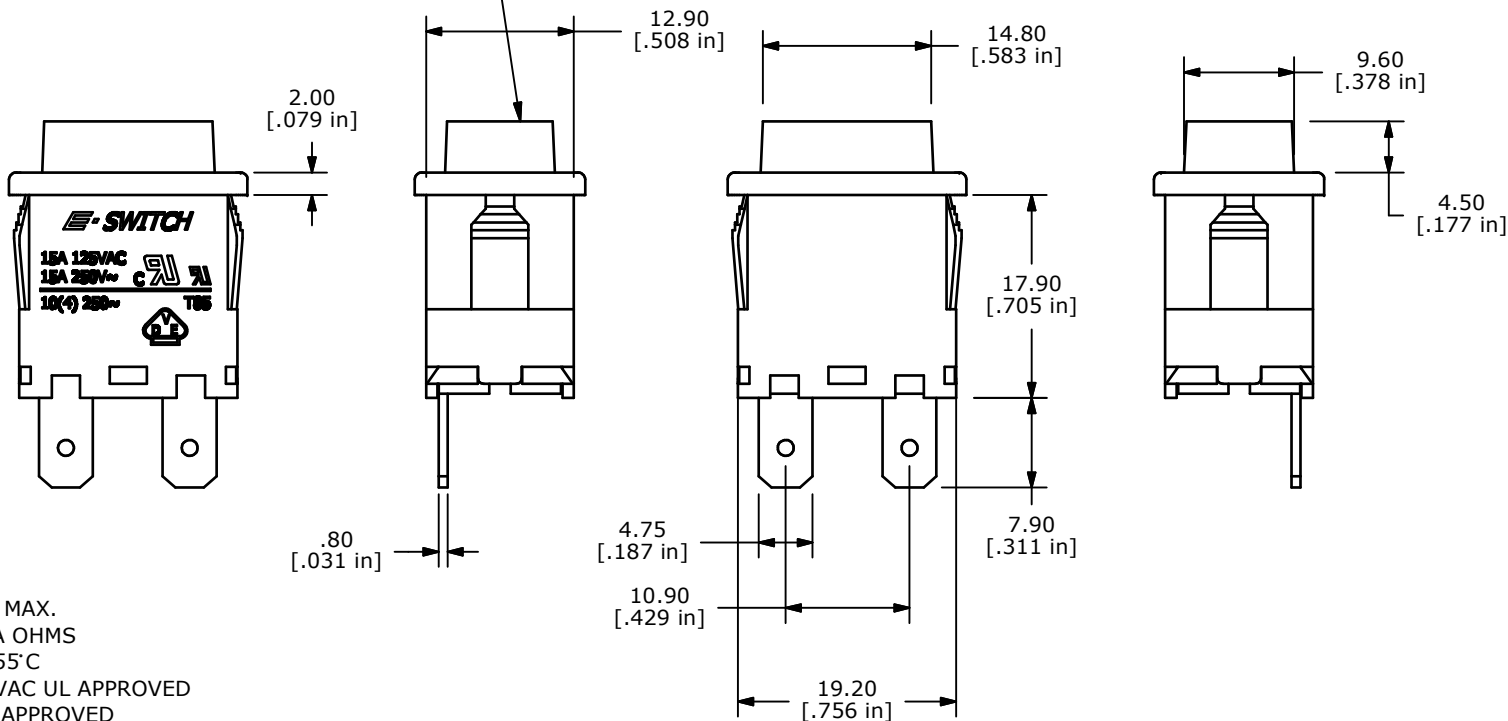
(ON) = MOMENTARY

- NOTES:
- ALL DIMENSIONS IN MM [INCH]
  - GENERAL TOLERANCE: X.X $\pm$ 0.4  
X.XX $\pm$ 0.25
  - MECHANICAL LIFE: 30,000
  - ELECTRICAL LIFE: 10,000
  - CONTACT RESISTANCE: 20 Milli OHMS MAX.
  - INSULATION RESISTANCE: 1000 MEGA OHMS
  - OPERATING TEMPERATURE: -10°C TO 55°C
  - CONTACT RATING: 15A-250 VAC, 125VAC UL APPROVED  
10A 250VAC, VDE APPROVED
  - DIELECTRIC STRENGTH: 1500V FOR 1 MIN.
  - ▲DENOTES CRITICAL PARAMETER
  - LAMP TYPE: NONE
  - 2002/95/EC (RoHS) COMPLIANT
  - OPERATING FORCE: 750 $\pm$ 100grams



ISOMETRIC

ACTUATOR:  
RED ILL.



TITLE PB1973BBLKRILEF0

A	18690	Released For Production	10/26/09	BLR
REV	PCR NO	DESCRIPTION	DATE	BY

SCALE	DATE	DR	DWG	REV
1.5	10/26/2009	BF	M197315	A

THE INFORMATION CONTAINED IN THIS DOCUMENT IS PROPRIETARY TO E-SWITCH AND IS NOT TO BE COPIED OR TRANSFERRED