

**MICRO SWITCH**

A DIVISION OF HONEYWELL-REGULATOR COMPANY  
ROSBURY, MASSACHUSETTS

FED. MFR. CODE 91929

**SWITCH - ENCLOSED**

(M) YZLN-2 LH  
ISSUE 5

REPLACES

YZLN-2-RH

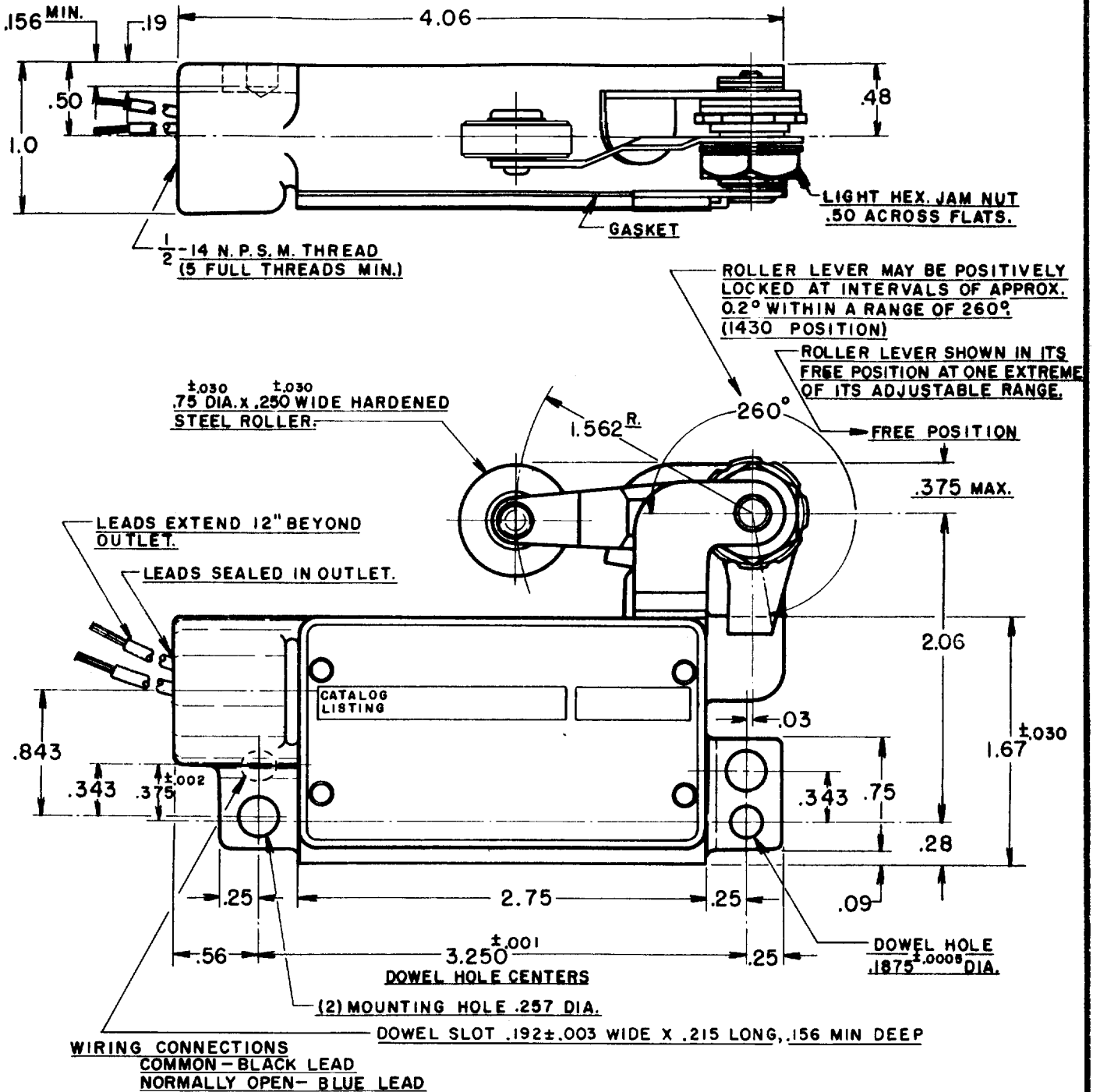
RELEASE NO.

M  
DRAWING NUMBER

12  
ISSUE

REVISIONS

A	CO 8520	R. E. R.	19 OCT. 56
B	CO18548	V D F	14 NOV 63
C	CO11950	D A W	27 OCT 64
D	CO21551	W E G	10 JUNE 66
E	CO50714	G. C. M.	24 OCT. 56
F	CO55988	M A M	31 OCT 64
G	CO81513B	J A K	13 MAR 97



THIS DRAWING COVERS A PROPRIETARY ITEM AND IS THE PROPERTY OF MICRO SWITCH, A DIVISION OF HONEYWELL. THIS DRAWING IS NOT TO BE COPIED, OR USED WITHOUT THE APPROVAL OF MICRO SWITCH.

**CHARACTERISTICS**

OPERATING FORCE ----- 3 LB. MAX.  
 RELEASE FORCE ----- 1/4 LB. MIN.  
 PRETRAVEL ----- (3°).078 MAX.  
 DIFFERENTIAL TRAVEL ----- (1/2°).014 MAX.  
 OVERTRAVEL ----- (17°).469 MIN.

**ELECTRICAL DATA**

CONTACT ARRANGEMENT  
 S. P. N. O.  
 -L96- 15 A-125, 250, OR 480 VAC  
 1/2 A-125 VDC; 1/4 A-250 VDC  
 1/8 HP-125 VAC; 1/4 HP-250 VAC

**SCALE FULL**

DO NOT SCALE PRINT

UNLESS OTHERWISE SPECIFIED  
 DIMENSIONS ARE IN INCHES  
**TOLERANCES ARE:**

ONE PLACE (.0)	±.030
TWO PLACE (.00)	±.015
THREE PLACE (.000)	±.005
ANGLES	±

WEIGHT .085 LB. PLUS LEADS

RU

FORMTEK

DRAWN

R. E. R. 19 OCT. 56 CHECK