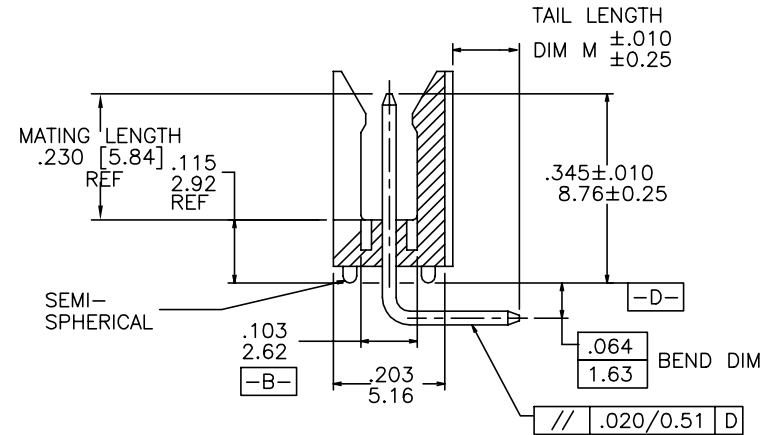
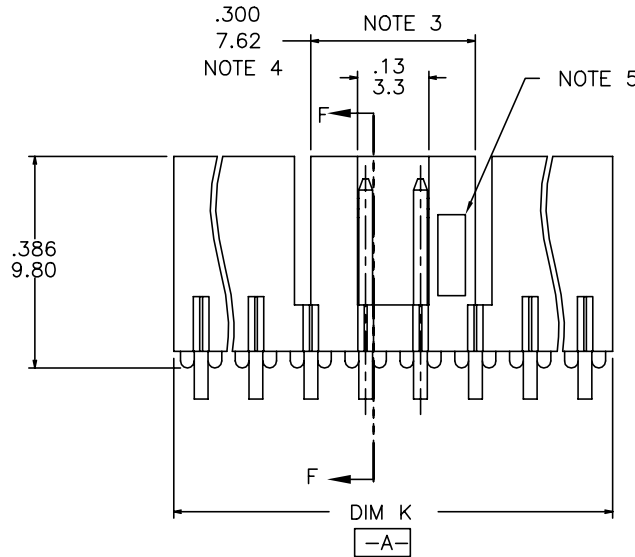
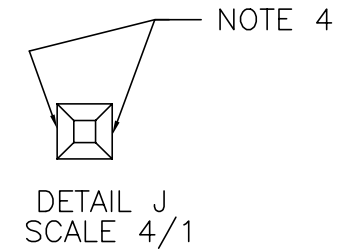
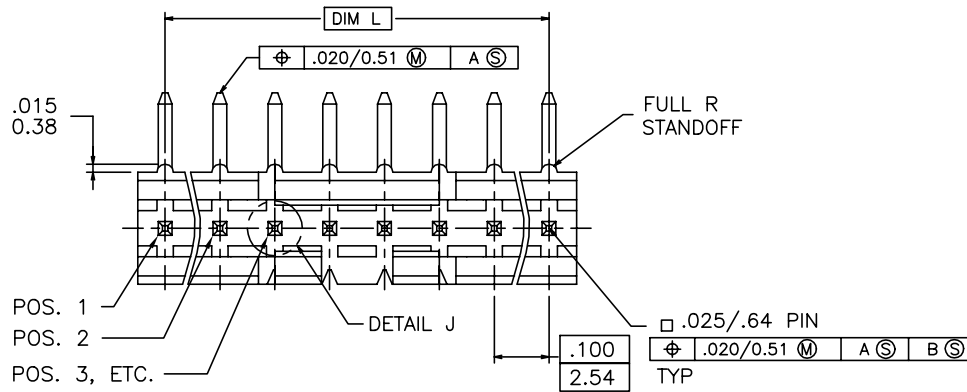


PRODUCT NO.
10126116-XYHLF

- LEAD FREE OPTION
NOTE 6, 7 & 8
- NO. OF POSITIONS
SEE TABLE
- PIN PLATING
- BASE P/N



mat'l. code		surface ISD 1302 ✓		tolerance ISD 406 ISD 1101		projection 		product family HEADER	
ltr ecn nldr date		tolerances unless otherwise specified		title		INCH/MM		FRICION LATCH HEADER SINGLE ROW, R/A	
A	NEW	ZK	06/14/13	angles	linear	scale 3:1		dwg no 10126116 sheet 1 of 2 size A3	
				0°±2'				type Product Customer Drawing	
dr	ZK HU		06/14/13						
engr	ZK HU		06/14/13						
chr	RICK BIAN		06/14/13						
appd	RICK BIAN		06/14/13						
sheet index	revision	A	A						
	sheet	1	2						

PRODUCT NO.	NO.OF POS.	DIM K	DIM L	TAIL LENGTH DIM M
10126116-X03	1 X 3	.300/7.62	.200/5.08	.120/3.05
-X04	1 X 4	.400/10.16	.300/7.62	
-X05	1 X 5	.500/12.70	.400/10.16	
-X06	1 X 6	.600/15.24	.500/12.70	
-X07	1 X 7	.700/17.78	.600/15.24	
-X08	1 X 8	.800/20.32	.700/17.78	
-X09	1 X 9	.900/22.86	.800/20.32	
-X10	1 X 10	1.000/25.40	.900/22.86	
-X11	1 X 11	1.100/27.94	1.000/25.40	
-X12	1 X 12	1.200/30.48	1.100/27.94	
-X13	1 X 13	1.300/33.02	1.200/30.48	
-X14	1 X 14	1.400/35.56	1.300/33.02	
10126116-X15	1 X 15	1.500/38.10	1.400/35.56	.120/3.05
10126116-X43	1 X 3	.300/7.62	.200/5.08	.190/4.83

NOTES:

- MOLDING MAT'L: GLASS REINFORCED PCT OR MINRAL FILLED LCP, COLOR: BLACK
FLAME RETARDANT PER UL-94V-0
MAXIMUM OPERATING TEMPERATURE 130° C.
- PIN MATERIAL: 3/4 HD PHOS. BRZ.
- NO SLOTS ON 1 X 5 POSITION OR SMALLER PRODUCT. THE CENTER KEY SLOT WILL BE ON ALL HEADERS REGARDLESS OF SIZE.
- TWO NON-CRITICAL SIDES OF PIN TIP NOT PLATED, BOTH ENDS.
- COMPANY LOGO MAY APPEAR IN THIS AREA.
- ADD "HLF" SUFFIX AT THE END OF PART NUMBER FOR LEAD FREE OPTION.
- PART NUMBERS WITH "H" SUFFIX WILL WITHSTAND EXPOSURE TO 260°C PEAK TEMPERATURE FOR 20 SECONDS IN WAVE SOLDER, INFRA-RED OR VAPOR PHASE SOLDER PROCESS.

PART NUMBERS WITHOUT "H" SUFFIX WILL WITHSTAND EXPOSURE TO 260°C PEAK TEMPERATURE FOR WAVE SOLDER PROCESS.
- THIS PRODUCT MEETS EUROPEAN UNION DIRECTIVES AND OTHER COUNTRY REGULATION AS DESCRIBED IN GS-22-008.

PIN PLATING CODES

-1YY	30u"/.76u Au MIN. ON 50u"/1.27u Ni
-2YY	15u/.38u Au MIN. ON 50u"/1.27u Ni

mat'l. code		surface ISD 1302 ✓		tolerance ISD 406 ISD 1101		projection 		product family HEADER	
ltr ecn nldr date		tolerances unless otherwise specified		title		INCH/MM		FRICION LATCH HEADER SINGLE ROW, R/A	
A		angles linear		.XXX±.01/.XXX±.03 .XXX±.005/.XXX±.013 .XXX±.0020/.XXX±.005		scale 3:1		dwg no 10126116	
		dr		ZK HU		06/14/13		sheet 2 of 2 size A3	
		enr		ZK HU		06/14/13		type Product Customer Drawing	
		chr		RICK BIAN		06/14/13			
		appd		RICK BIAN		06/14/13			
sheet index		revision sheet							



FCIconnect.com

Copyright FCI