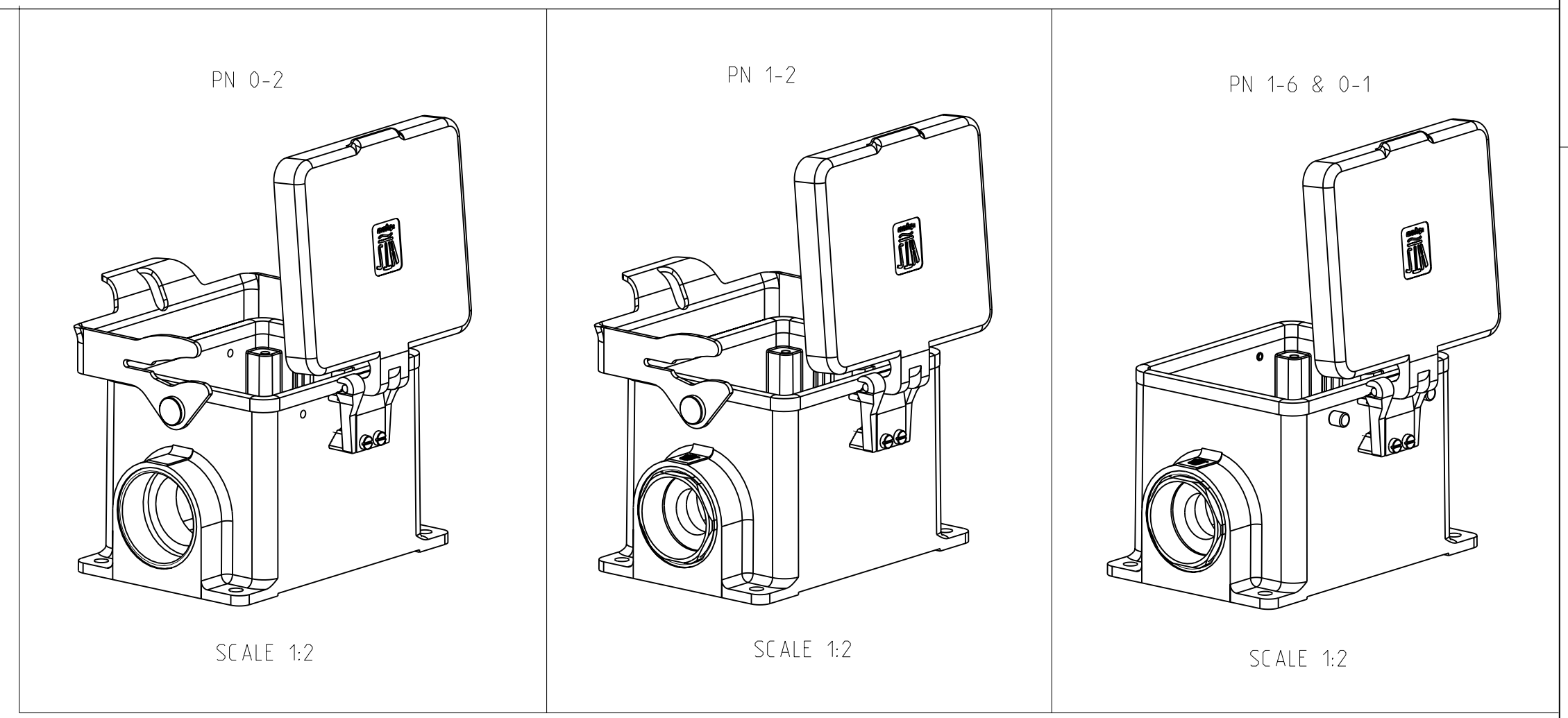
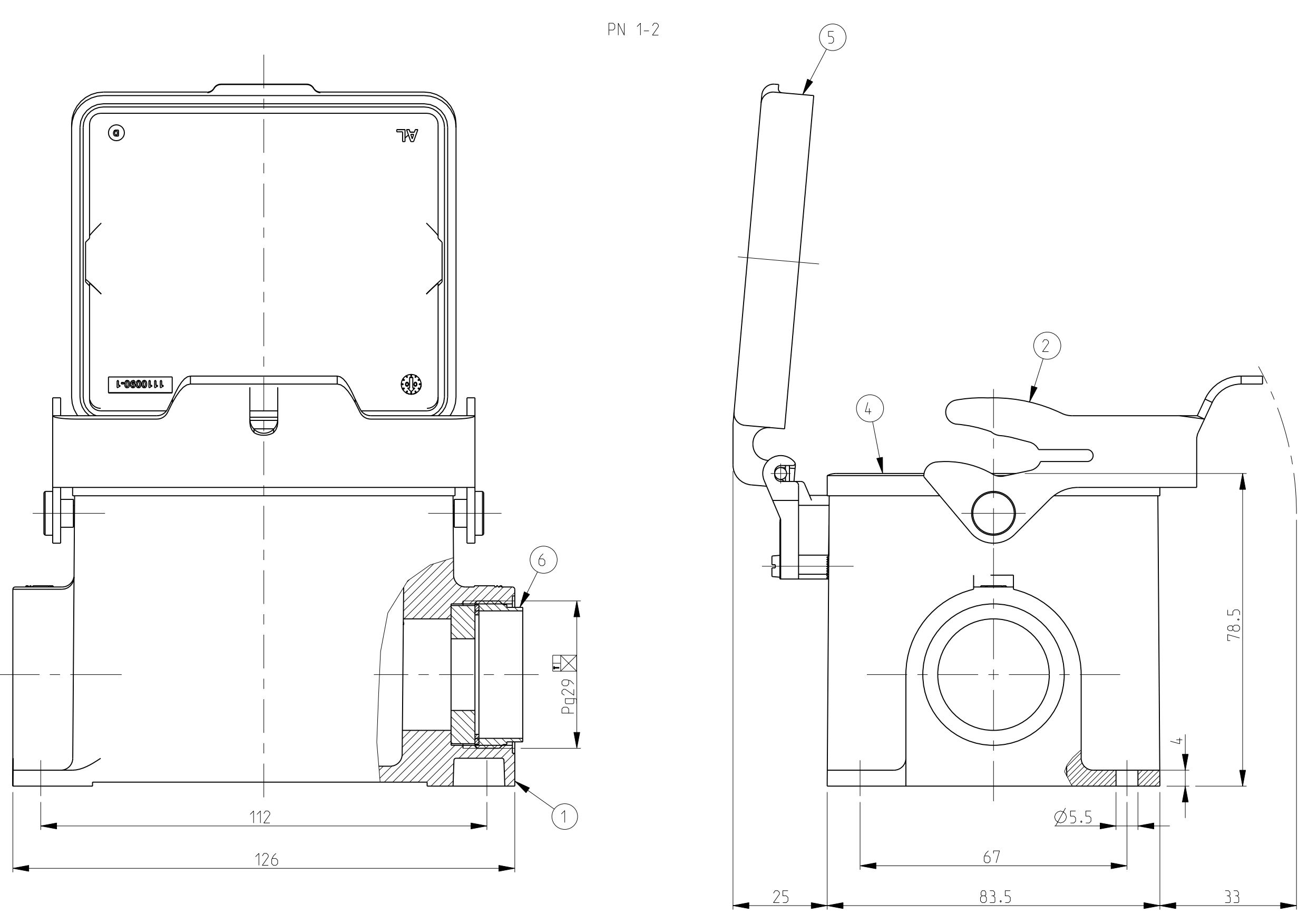
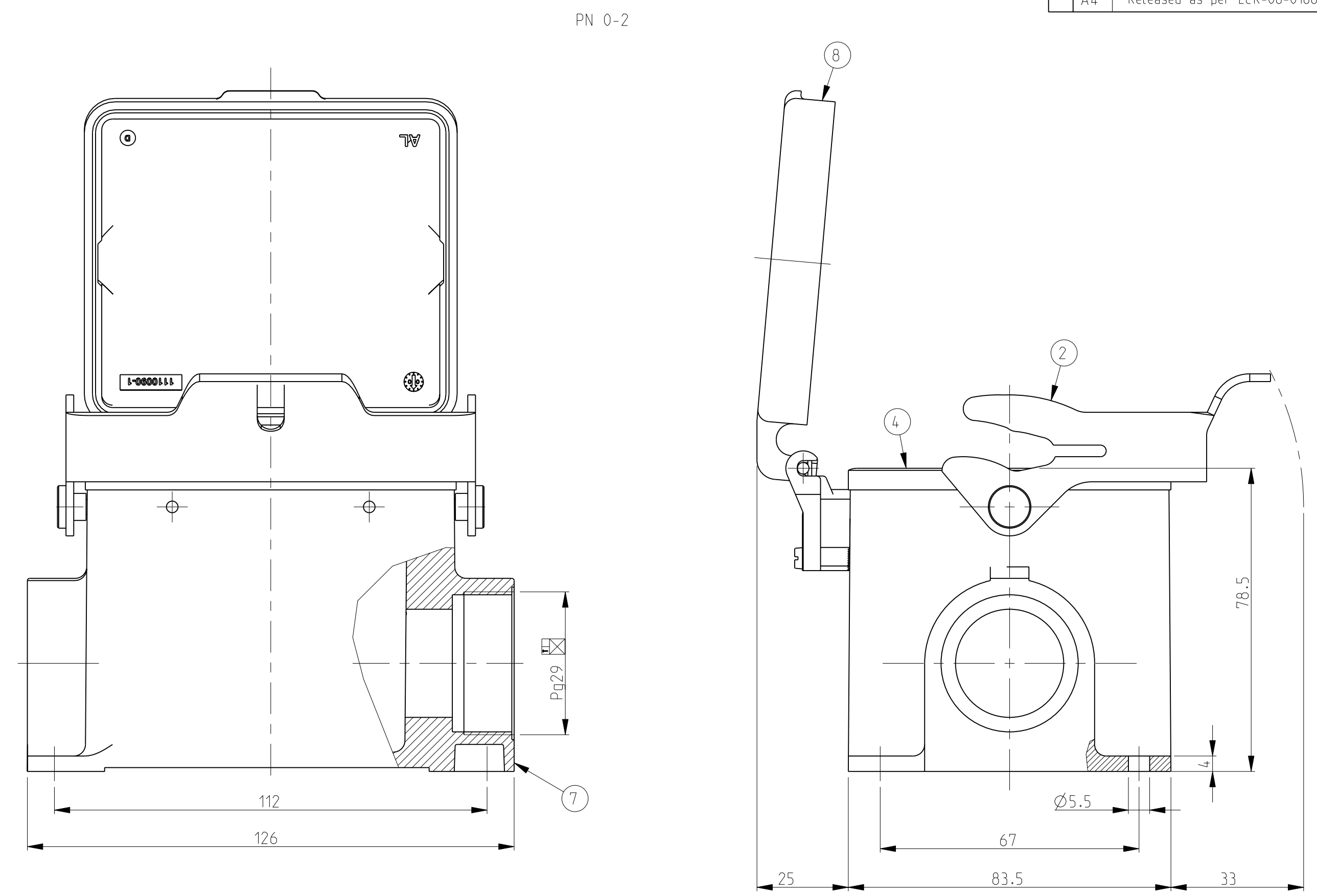
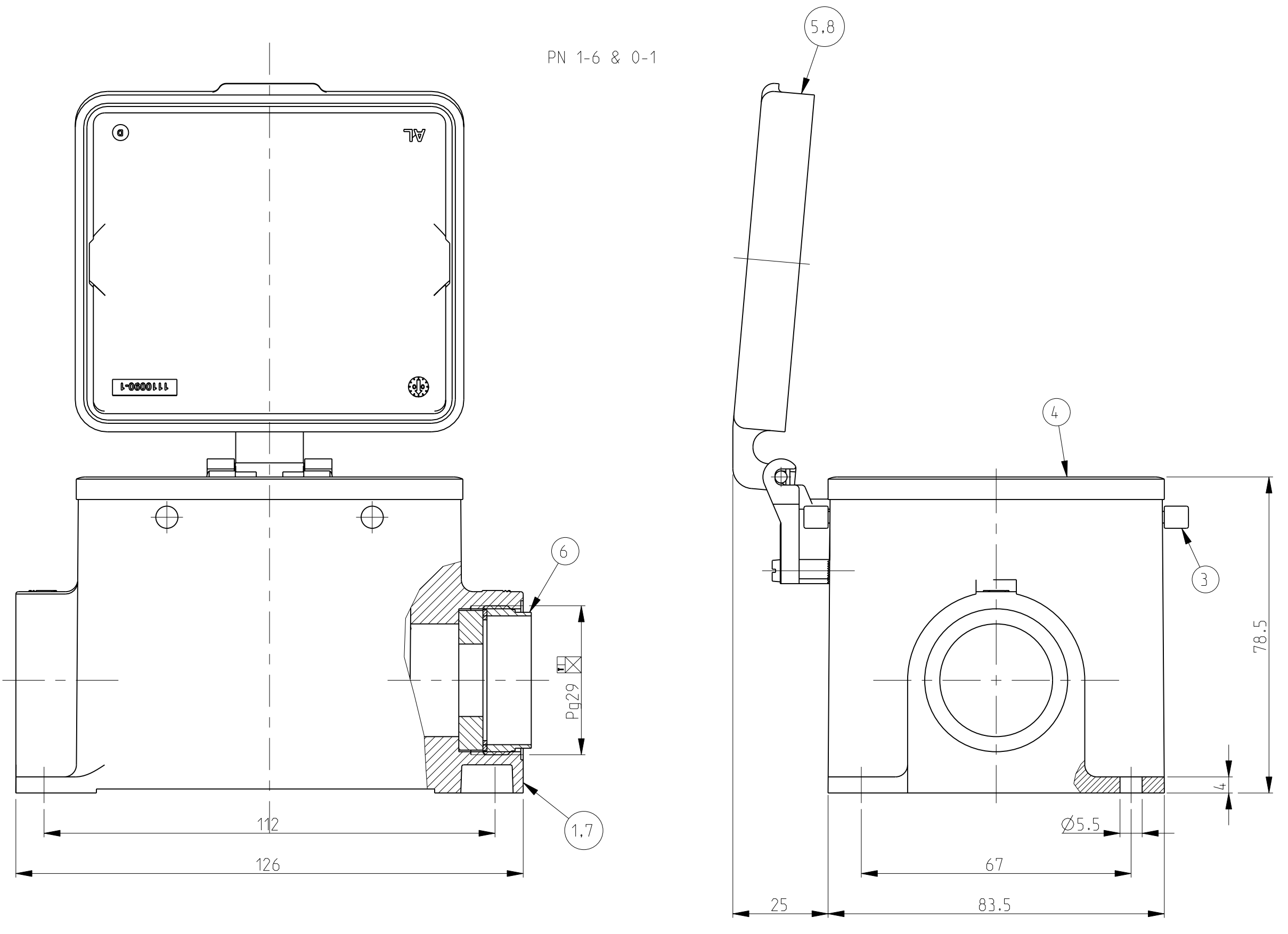


LOC	DIST	REVISIONS			
P	LTR	DESCRIPTION	DATE	DWN	APVD
A4		Released as per ECR-08-016634	02.July.2008	SP	TS



- NOTES.
- Material:Housing:Aluminium Diecasting Alloy  
Seals:Neoprene
  - Surface:Powder coated grey
  - Varnish on the inside not necessary
  - Packaging  
Quantity 3 Pieces in a box

QTY	DESCRIPTION	MATERIAL	SURFACE	COLOR	ITEM NO	NOTES
1	Cover finished product	Aluminium		Grey	8	Natural
1	Surface mounted housing side entry	Aluminium		Grey	7	Natural
1	Cable fitting round	Brass	Nickel plated	Blue	6	PG29
1	Cover finished product HB 32/HA48	Aluminium		Grey	5	
1	Profile seal	Neoprene		Black	4	
4	Clip bolt	Steel	Zinc plated	Blue	3	
1	Side clip	Steel	Zinc plated	Blue	2	
1	Surface mounted housing side entry	Aluminium		Grey	1	

HB.32.SGD.1.29  
 HB.32.SGD.LB.1.29  
 HB.32.SGD.LB.1.29  
 HB.32.SGD.LB.1.29.Z

DIMENSIONS:	TOLERANCES UNLESS OTHERWISE SPECIFIED:	DWN	Schneider	17.04.02
mm	0.05	CHK	Schweiger	17.04.02
	1 PLC ±	APVD		
	2 PLC ±	NAME	Schneider	
	3 PLC ±	PRODUCT SPEC	-	
	4 PLC ±	APPLICATION SPEC	-	
	ANGLES ±	SIZE	A4	00779
MATERIAL	FINISH	WEIGHT	C=1102361	SCALE 1:1
		CUSTOMER DRAWING	SHEET 1 OF 1	REV A4

Tyco Electronics, AMP GmbH  
 0-53819,Neunkirchen,Germany