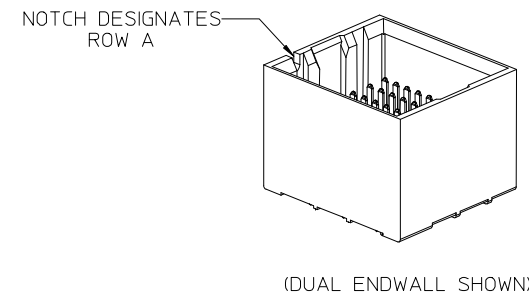
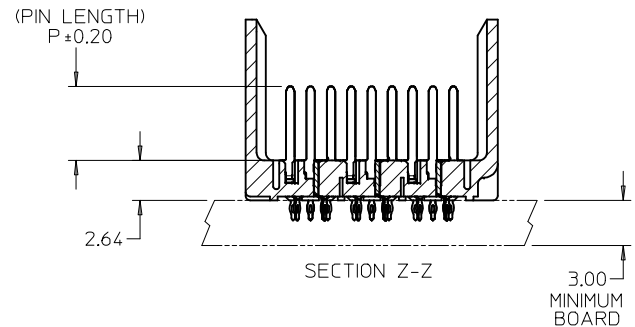
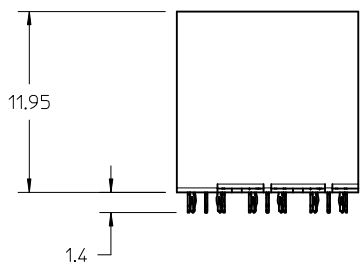


BACKPLANE HOLE PATTERN
(CONNECTOR SIDE)



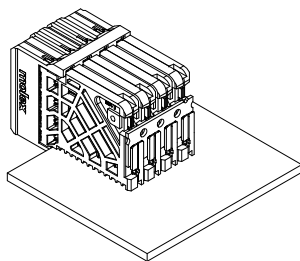
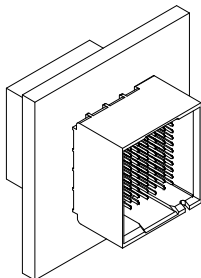
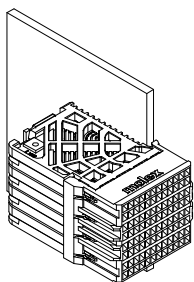
- NOTES:
1. MATERIALS: HOUSING - LIQUID CRYSTAL POLYMER (LCP)
GLASS-FILLED, UL94V-0
TERMINALS - HIGH PERFORMANCE COPPER ALLOY
 2. FINISH: 30μ MIN GOLD IN CONTACT AREA.
SELECTIVE TIN OR TIN-LEAD ON PCB TAILS.
NICKEL OVERALL.
 3. REFER TO MOLEX PRODUCT SPECIFICATION PS-76060-999
FOR PERFORMANCE SPECIFICATIONS AND ADDITIONAL PCB INFORMATION.
 4. THIS PART CONFORMS TO CLASS B REQUIREMENTS OF
COSMETIC SPEC PS-45499-002.
 5. PRODUCT IS PACKAGED PER PK-70873-7705.
 6. SEE SHEETS 2 AND 3 FOR PART NUMBERS AND ORTHOGONAL PIN MAPPING.
 7. REFER TO MOLEX SALES DRAWING SD-76860-001 FOR THE MATING RECEPTACLES.
 8. REFER TO MOLEX ROUTING GUIDE AS-76850-990 FOR ADDITIONAL PCB LAYOUT
AND ROUTING RECOMMENDATIONS.
 - 9.*THESE DIMENSIONS REPRESENT THE AREA NEEDED TO ACCOMODATE CONNECTOR
INSERTION AND REPAIR ON THE PC BOARD. THIS DOES NOT REPRESENT
THE ACTUAL PERIMETER OF THE CONNECTOR.*

UPDATED VIEWS EC NO: UCP2014-2698 DRAWN: RYZ101 2013/04/01 CHKD: APPR: TELO 2015/03/24	QUALITY SYMBOLS 	GENERAL TOLERANCES (UNLESS SPECIFIED)		DIMENSION STYLE	SCALE	DESIGN UNITS	THIRD ANGLE PROJECTION		
				MM ONLY	4:1	METRIC			
		4 PLACES ± --- ± ---	3 PLACES ± --- ± ---	2 PLACES ± 0.13 ± ---	1 PLACE ± 0.25 ± ---	0 PLACE ± ±	DRAWN BY JLAURX DATE 5/5/09		TITLE IMPACT 3 PAIR HEADER ORTHOGONAL ASSEMBLY UNGUIDED SALES DRAWING DOCUMENT NO. SD-76855-001 SHEET NO. 1 OF 3
		ANGULAR ±1/2°		DRAFT WHERE APPLICABLE MUST REMAIN WITHIN DIMENSIONS		CHECKED BY JMENDOZA DATE 2010/01/13	APPROVED BY JB INGHAM DATE 2010/01/14		
SEE CHART		MATERIAL NO.		THIS DRAWING CONTAINS INFORMATION THAT IS PROPRIETARY TO MOLEX INCORPORATED AND SHOULD NOT BE USED WITHOUT WRITTEN PERMISSION					

ORTHO OPTION 270

NEAR SIDE PIN A1 MAPS
TO FAR SIDE PIN A1

MATERIAL NUMBER	# OF COLUMNS	# OF DIFF PAIR	DIM A	DIM B	DIM C
76855-*60*	6	18	12.0	10.00	10.40
76855-*62*	6	18	14.8	10.00	10.40
76855-*80*	8	24	16.1	14.05	14.45
76855-*82*	8	24	18.9	14.05	14.45



MODULE & TAIL PLATING TYPE
0 = UNGUIDED, TIN/LEAD
1 = UNGUIDED, TIN

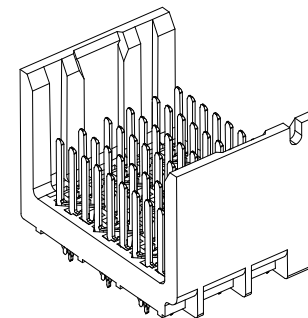
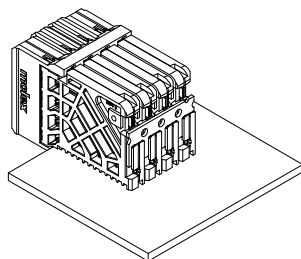
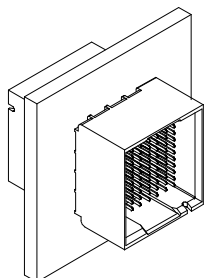
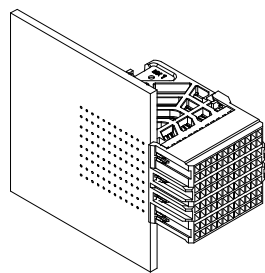
76855-****

PIN LENGTH (P)

- 4 = 4.90 (0.46 PTH)
- 5 = 5.50 (0.46 PTH)
- 7 = 4.90 (0.39 PTH)
- 8 = 5.50 (0.39 PTH)

OF COLUMNS
6 = 6 COLUMNS
8 = 8 COLUMNS

ENDWALL OPTIONS
0 = OPEN ENDS
2 = DUAL ENDWALL

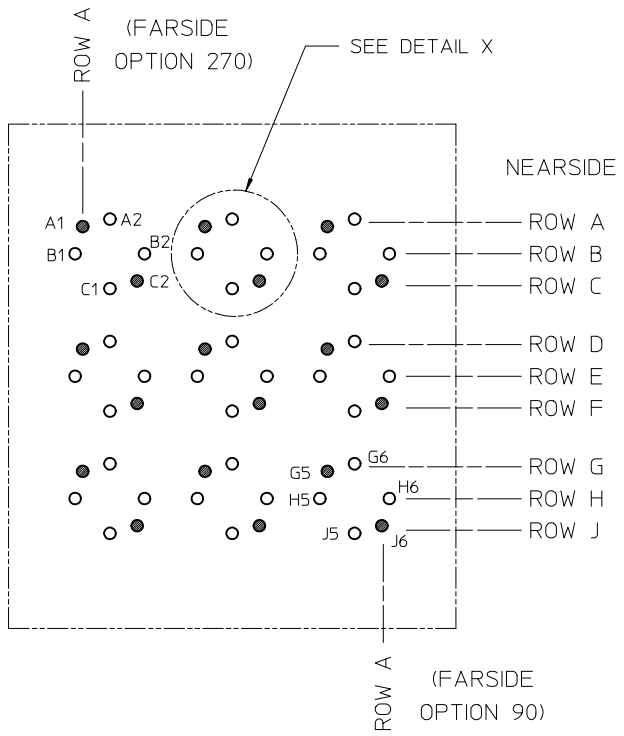


OPEN END OPTION

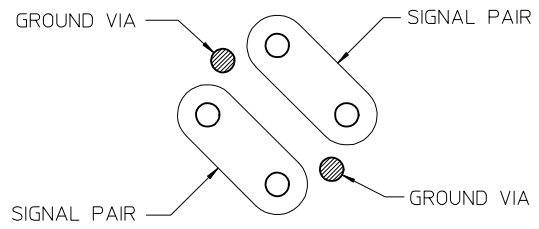
ORTHO OPTION 90

NEAR SIDE PIN A1 MAPS
TO FAR SIDE PIN J6
(FOR SQUARE PATTERN)

SEE SHEET 1 EC NO: UCP2014-2698 DRAWING: R1ZV101 2013/04/01 CHKD: APPR: TELO 2015/03/24	QUALITY SYMBOLS ▽=0 ▽=0 ▽=0	GENERAL TOLERANCES (UNLESS SPECIFIED) <table border="1"> <thead> <tr> <th></th> <th>mm</th> <th>INCH</th> </tr> </thead> <tbody> <tr> <td>4 PLACES</td> <td>± ---</td> <td>± ---</td> </tr> <tr> <td>3 PLACES</td> <td>± ---</td> <td>± ---</td> </tr> <tr> <td>2 PLACES</td> <td>± 0.13</td> <td>± ---</td> </tr> <tr> <td>1 PLACE</td> <td>± 0.25</td> <td>± ---</td> </tr> <tr> <td>0 PLACE</td> <td>±</td> <td>±</td> </tr> </tbody> </table>		mm	INCH	4 PLACES	± ---	± ---	3 PLACES	± ---	± ---	2 PLACES	± 0.13	± ---	1 PLACE	± 0.25	± ---	0 PLACE	±	±	DIMENSION STYLE MM ONLY	SCALE 4:1	DESIGN UNITS METRIC	THIRD ANGLE PROJECTION
		mm	INCH																					
	4 PLACES	± ---	± ---																					
	3 PLACES	± ---	± ---																					
2 PLACES	± 0.13	± ---																						
1 PLACE	± 0.25	± ---																						
0 PLACE	±	±																						
DRAFT WHERE APPLICABLE MUST REMAIN WITHIN DIMENSIONS	DRAWN BY JLAURX	DATE 5/5/09	CHECKED BY JMENDOZA	DATE 2010/01/13	TITLE IMPACT 3 PAIR HEADER ORTHOGONAL ASSEMBLY UNGUIDED SALES DRAWING																			
MATERIAL NO. SEE CHART	APPROVED BY JBLINGHAM	DATE 2010/01/14	DOCUMENT NO. SD-76855-001		SHEET NO. 2 OF 3																			
THIS DRAWING CONTAINS INFORMATION THAT IS PROPRIETARY TO MOLEX INCORPORATED AND SHOULD NOT BE USED WITHOUT WRITTEN PERMISSION																								



MIDPLANE PCB LAYOUT



DETAIL X
SCALE 16:1

ORTHO PIN MAPPING					
OPTION 270 (NEARSIDE - FARSIDE)					
(A1-A1)	A2-B1	(A3-D1)	A4-E1	(A5-G1)	A6-H1
B1-A2	B2-C1	B3-D2	B4-F1	B5-G2	B6-J1
C1-B2	(C2-C2)	C3-E2	(C4-F2)	C5-H2	(C6-J2)
(D1-A3)	D2-B3	(D3-D3)	D4-E3	(D5-G3)	D6-H3
E1-A4	E2-C3	E3-D4	E4-F3	E5-G4	E6-J3
F1-B4	(F2-C4)	F3-E4	(F4-F4)	F5-H4	(F6-J4)
(G1-A5)	G2-B5	(G3-D5)	G4-E5	(G5-G5)	G6-H5
H1-A6	H2-C5	H3-D6	H4-F5	H5-G6	H6-J5
J1-B6	(J2-C6)	J3-E6	(J4-F6)	J5-H6	(J6-J6)

ORTHO PIN MAPPING					
OPTION 90 (NEARSIDE - FARSIDE)					
(A1-J6)	A2-H6	(A3-F6)	A4-E6	(A5-C6)	A6-B6
B1-J5	B2-G6	B3-F5	B4-D6	B5-C5	B6-A6
C1-H5	(C2-G5)	C3-E5	(C4-D5)	C5-B5	(C6-A5)
(D1-J4)	D2-H4	(D3-F4)	D4-E4	(D5-C4)	D6-B4
E1-J3	E2-G4	E3-F3	E4-D4	E5-C3	E6-A4
F1-H3	(F2-G3)	F3-E3	(F4-D3)	F5-B3	(F6-A3)
(G1-J2)	G2-H2	(G3-F2)	G4-E2	(G5-C2)	G6-B2
H1-J1	H2-G2	H3-F1	H4-D2	H5-C1	H6-A2
J1-H1	(J2-G1)	J3-E1	(J4-D1)	J5-B1	(J6-A1)

NOTE: PINOUTS SHOWN IN BALLOONS ARE GROUNDS.
PINOUTS SHOWN ARE FOR SQUARE (6 COLUMN) PATTERN ONLY.

SEE SHEET 1 EC NO: UCP2014-2698 DRW: RIZV101 2013/04/01 CHKD: APPR: TELO 2015/03/24	QUALITY SYMBOLS	GENERAL TOLERANCES (UNLESS SPECIFIED)	DIMENSION STYLE MM ONLY	SCALE 8:1	DESIGN UNITS METRIC	THIRD ANGLE PROJECTION
	▽=0	mm INCH	DRAWN BY DATE JLAURX 5/5/09	TITLE IMPACT 3 PAIR HEADER ORTHOGONAL ASSEMBLY UNGUIDED SALES DRAWING		
	▽=0	4 PLACES ± --- ± ---	CHECKED BY DATE JMENDOZA 2010/01/13	DOCUMENT NO. SD-76855-001		
	▽=0	3 PLACES ± --- ± ---	2 PLACES ± 0.13 ± ---	APPROVED BY DATE JB INGHAM 2010/01/14	THIS DRAWING CONTAINS INFORMATION THAT IS PROPRIETARY TO MOLEX INCORPORATED AND SHOULD NOT BE USED WITHOUT WRITTEN PERMISSION	
	▽=0	1 PLACE ± 0.25 ± ---	0 PLACE ± ±	ANGULAR ±1/2°		
REV	DESCRIPTION	DRAFT WHERE APPLICABLE MUST REMAIN WITHIN DIMENSIONS	SIZE C			