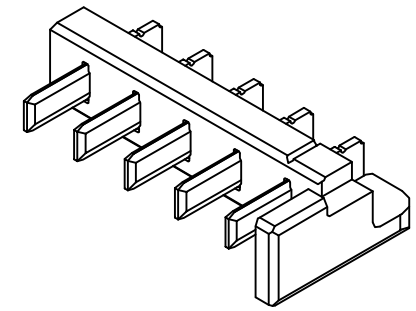
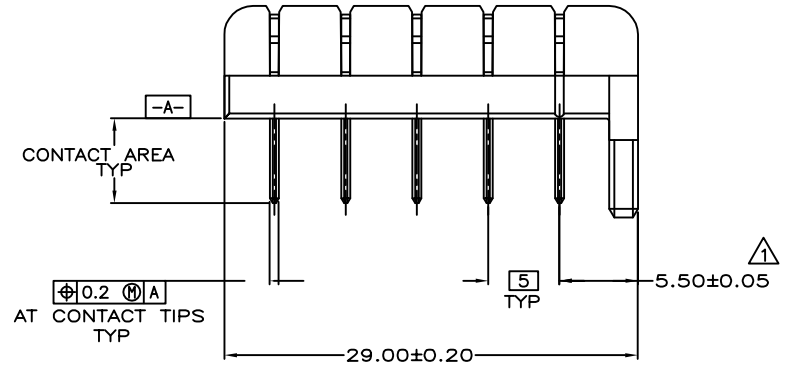
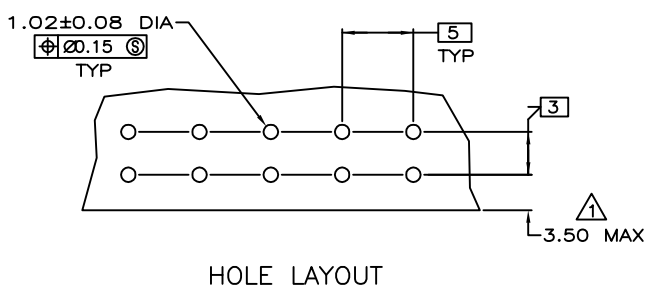
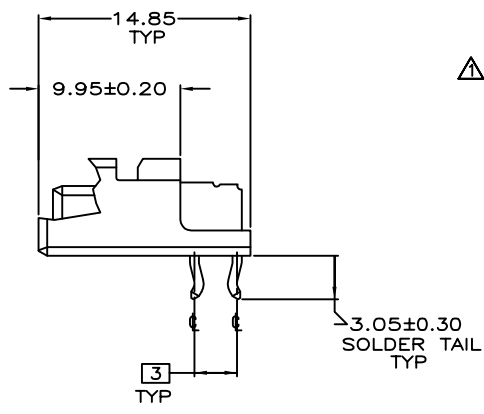
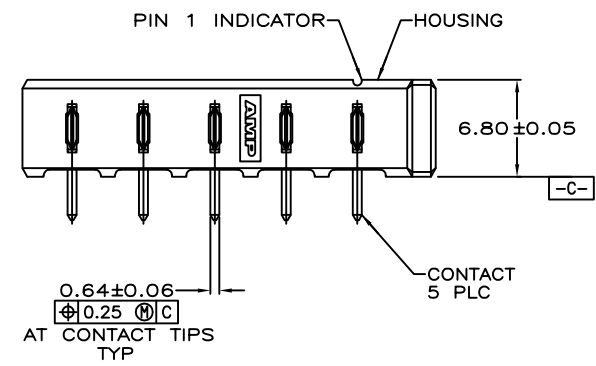


LOC	DIST	P	F	ZONE	LTR	DESCRIPTION	DATE	APPD
ES	00					RLSE -1 NPR 5055, WAS 93-1878-131-1	02/17/94	-
					A	REV PER EC0020-346-94	04/14/94	RSK
					B	REV PER EC0020-645-94	07/07/94	RSK
					D	REVISED PER ECR-10-002761	02/08/10	S.Y.



△ COORDINATE DIMENSION APPLIES FROM CENTER OF ACTUAL FEATURE.



DO NOT SCALE PRINT. DIMENSIONS IN mm TOLERANCES ON : 2 PLC DEC ±0.10 3 PLC DEC ± - ANGLES ± -		DR 11/11/93 G.DOUTY	787141-1	
MATERIAL HOUSING: LCP, BLACK	CONTACTS: BRASS	CHK 02/17/94 S.KLINE	PART NO	
FINISH CONTACTS: 2.54µm MIN TIN-LEAD ON SOLDER TAIL OVER 1.90µm MIN NICKEL ALL OVER		APPD 02/17/94 S.KLINE	Tyco Electronics Shanghai, P.R.China, 200233	
		APPD 02/17/94 S.KLINE	NAME HEADER ASSEMBLY, RIGHT ANGLE, 5mm ϕ , 5 POSITION, SINGLE KEY, RIGHT VOLTAGE KEY, RETENTIVE SOLDER TAILS, BATTERY INTERCONNECT, 7.2 VOLT	
		PRODUCT SPEC 108-1501	SIZE ϕ	CAGE CODE 00779
		APPLICATION SPEC -	DRAWING NO ϕ -787141	
		WEIGHT -	SCALE 4:1	SHEET 1 OF 1