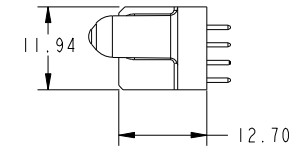
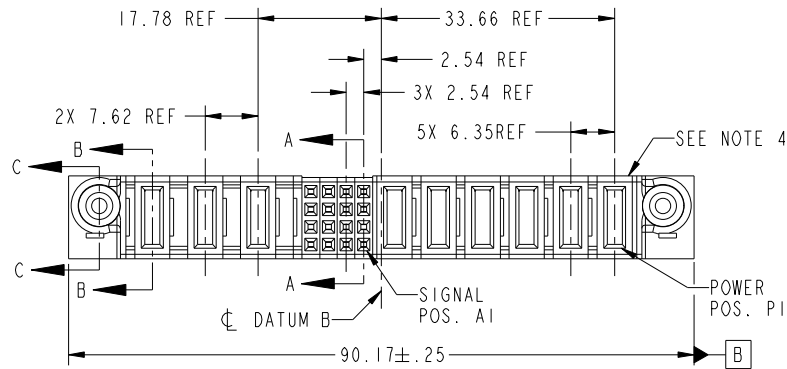


Tous droits strictement reserves. Reproduction ou communication a des tiers interdite sous quelque forme que ce soit sans autorisation écrite du propriétaire. Propriete de c FCI. Droits de reproduction FCI.



All rights strictly reserved. Reproduction or issue to third parties in any form whatever is not permitted without written authority from the proprietor. Property of FCI. Copyright FCI.

PRODUCT NO.	ROWS	POWER			SIGNAL			POWER							
		E2	P9	P8	P7	4	3	2	1	P6	P5	P4	P3	P2	P1
51940-208 NOTE 3	D C B A														



CODE	DIM "M" MATING LENGTH	CONTACT TYPE
E	[N/A]	SIGNAL
PA	[1.07]	POWER
PD	[2.34]	POWER

mat'l code				SEE NOTE 2		tolerances unless otherwise specified		CUSTOMER		FCI	
ltr	ecn no.	dr	date	linear	0.X ± 0.3	projection		COPY		www.fciconnect.com	
A	DG07-0009	JMG	01/08/06	angles	0.XX ± 0.13	MIM		title		6P + 16S + 3ACP	
				dr	0.XXX ± 0.051	scale		product family		PwrBlade	
				enr	0° ± 2°	1:1		size		213	
				chr	JM GUO 01/08/06			dwg no		51940-208	
				appd	JM GUO 01/08/06			sheet		1 of 4	
					BEER FU 01/08/06			cage code		22526	
					JOSEPH HSIA 01/08/06						
sheet index	revision sheet	A	A	A	A						
		1	2	3	4						

Pro/E

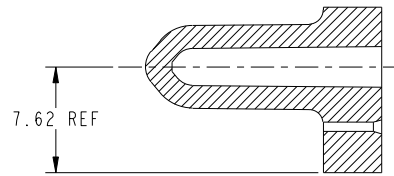
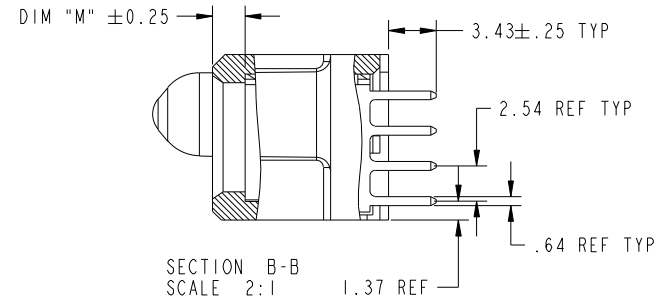
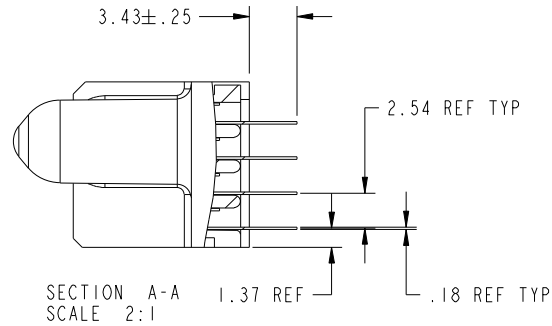
cage code 22526

Tous droits strictement reserves. Reproduction ou communication a des tiers interdite sous quelque forme que ce soit sans autorisation écrite du propriétaire. Propriete de c FCI. Droits de reproduction FCI.



All rights strictly reserved. Reproduction or issue to third parties in any form whatever is not permitted without written authority from the proprietor. Property of FCI. Copyright FCI.

PRODUCT NUMBER
51940-208--
NOTE ③



mat'l code				SEE NOTE 2		tolerances unless otherwise specified		CUSTOMER		FCI	
ltr	ecn no.	dr	date	linear	0.X ± 0.3		COPY		www.fciconnect.com		
A					0.XX ± 0.13		projection		title 6P + 16S + 3ACP		
					0.XXX ± 0.051				VERTICAL STB RECEPT		
					angles	0° ± 2°				product family PwrBlade	
				dr	JM GUO	01/08/06	scale		size A		sheet 2 of 4
				enr	JM GUO	01/08/06	1:1		dwg no 51940-208		
				chr	BEER FU	01/08/06					
				appd	JOSEPH HSIA	01/08/06					
sheet index		revision sheet									

cage code 22526

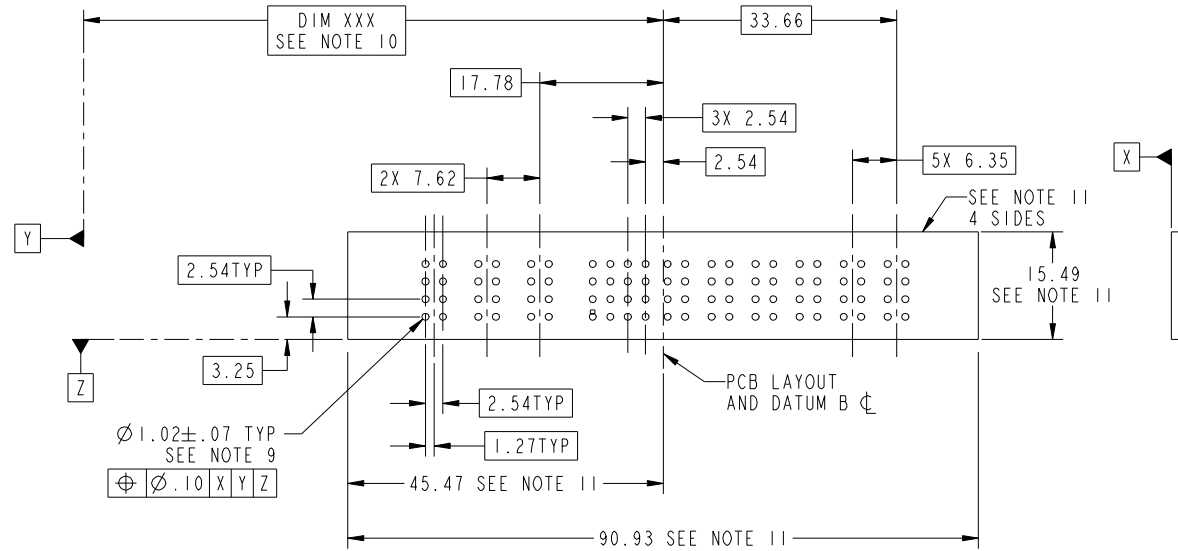
Pro/E

Tous droits strictement reserves. Reproduction ou communication a des tiers interdite sous quelque forme que ce soit sans autorisation écrite du propriétaire. Propriete de c FCI. Droits de reproduction FCI.



All rights strictly reserved. Reproduction or issue to third parties in any form whatever is not permitted without written authority from the proprietor. Property of FCI. Copyright FCI.

PRODUCT NUMBER
51940-208--
NOTE (3)



mat'l code		SEE NOTE 2		tolerances unless otherwise specified		CUSTOMER		FCI		www.fciconnect.com	
ltr	ecr no.	dr	date	linear	0.X ±0.3	COPY		projection		title	
A					0.XX ±0.13	MIM		6P + 16S + 3ACP		VERTICAL STB RECEPT	
				angles	0.XXX ±0.051	scale		product family		code	
				dr	0° ±2°	1:1		PwrBlade		213	
				enr	JM GUO 01/08/06			size		sheet	
				chr	JM GUO 01/08/06			51940-208		3 of 4	
				appd	BEER FU 01/08/06						
					JOSEPH HSIA 01/08/06						
sheet index	revision sheet										

cage code 22526

Pro/E

Tous droits strictement réservés. Reproduction ou communication a des tiers interdite sous quelque forme que ce soit sans autorisation écrite du propriétaire. Propriete de c FCI. Droits de reproduction FCI.



All rights strictly reserved. Reproduction or issue to third parties in any form whatever is not permitted without written authority from the proprietor. Property of FCI. Copyright FCI.

PRODUCT NUMBER
51940-208--
NOTE ③

NOTES:

1. DIMENSIONS AND TOLERANCES ARE IN ACCORDANCE WITH ASME Y14.5M, 1994 UNLESS OTHERWISE SPECIFIED.

CONNECTOR NOTES:

- ② HOUSING MATERIAL: UL 94 V-0 GLASS FILLED
HIGH-TEMP THERMOPLASTIC
POWER CONTACT MATERIAL: COPPER ALLOY
SIGNAL PIN MATERIAL: COPPER ALLOY
- 3. 51940-208;51940-208LF;51940-208GLF PLATING SPEC. SEE PRINT:10064183
- ④ MANUFACTURER'S NAME, P/N, AND DATE CODE TO APPEAR ON THIS SURFACE.
- 5. PRODUCT SPECIFICATION GS-12-149.
APPLICATION SPECIFICATION BUS-20-067.
- 6. PACKAGED IN TRAYS.

PCB NOTES:

- 7. ALL HOLE DIAMETERS ARE FINISHED HOLE SIZE.
- ⑧ MOUNTING HOLES, WHERE APPLICABLE, ARE UNPLATED.
- ⑨ $\varnothing 1.151 \pm 0.025$ DRILLED HOLES PLATED WITH
0.008 MIN SnPb OR Sn OVER 0.03
TO 0.08 Cu PLATING TO ACHIEVE
 $\varnothing 1.02 \pm .07$ HOLE.
- ⑩ "DIM XXX" TO BE DETERMINED BY THE CUSTOMER.
- ⑪ CONNECTOR KEEP-OUT ZONE.

mat'l code		SEE NOTE 2		tolerances unless otherwise specified		CUSTOMER		FCI		www.fciconnect.com	
ltr	ecr no.	dr	date	linear	0.X ± 0.3	COPY		title 6P + 16S + 3ACP VERTICAL STB RECEPT			
A					0.XX ± 0.13	projection					
				angles	0.XXX ± 0.051			product family		code	
				dr	0° + 2°			PwrBlade		213	
				enrg	JM GUO 01/08/06	scale		size		sheet	
				chr	JM GUO 01/08/06	1:1		A		4 of 4	
				appd	BEER FU 01/08/06			51940-208			
					JOSEPH HSIA 01/08/06						
sheet index		revision sheet									

cage code 22526

Pro/E