

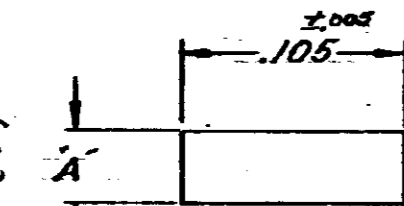
WIRE CRIMP				TERMINAL CRIMP HEIGHT
CRIMP SYMBOL	DIM	GO	NO GO	
22-18	0	.1625	.0675	



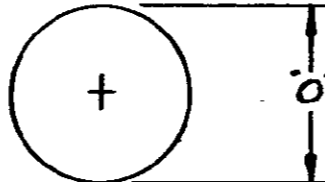
INSULATION CRIMP				TERMINAL CRIMP HEIGHT
CRIMP SYMBOL	DIM	GO	NO GO	
22-18	A	.0290	.0510	

SEE NOTE #6

INACTIVE
11/8/77



INSULATION CRIMP
CRIMP SYMBOL 22-18



WIRE CRIMP
CRIMP SYMBOL 22-18

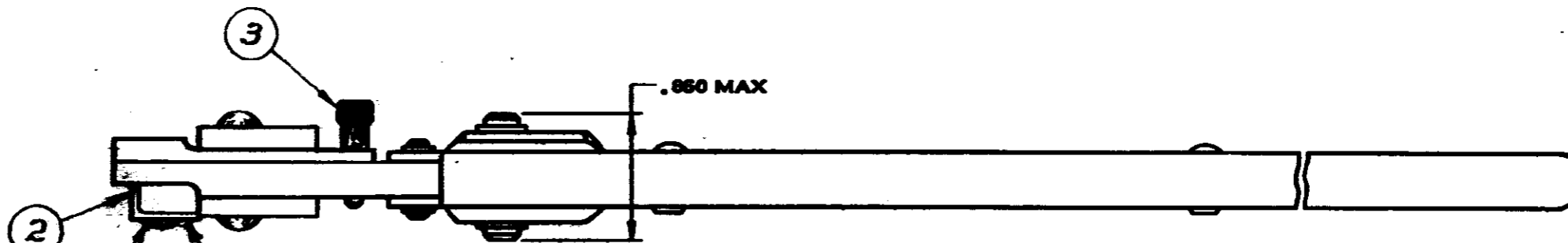
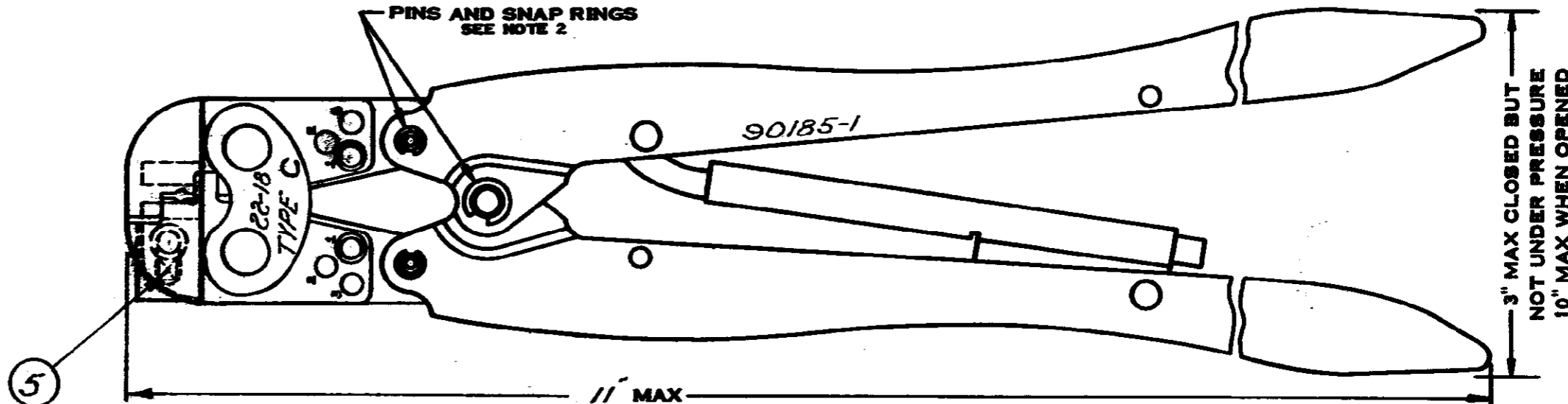
ENLARGED END VIEW OF GAGES

SUGGESTED GAGE DESIGN

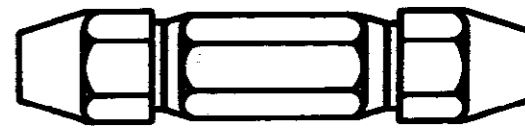
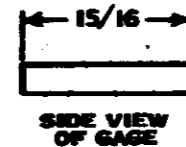
NO	REVISION	DATE	BY	CHK	DATE
D1	REVISED PER ECO-11-005294		RK	HMR	12APR11
LTR	REVISION RECORD		DR	CHK	DATE

NUMBER
90185

PINS AND SNAP RINGS
SEE NOTE 2



INACTIVE,
REFER TO
IS SHEET "7278"
11/8/77



SUGGESTED
DOUBLE END HANDLE A.G.D. STD.

NO	NUMBER	NAME	ITEM NO.
1	301201	SPRING	5
1	125645-1	HOUSING-LOCATOR	4
2	39207	ADJUSTMENT PIN	3
1	125644-1	LOCATOR	2
1	2-59577-6	SCREW (#8-32 x 7/16 LG.)	1

CUSTOMER COPY REFERENCE ONLY			
MATERIAL-STEEL FINISH-BLACK OXIDE WEIGHT-/ LBS. 3 OZ.			
WIRE - RANGE - INSULATION TOLERANCE EXCEPT AS NOTED		CLASS # TYPE # SCALE #	
J. Lucic 12-2-65 D. Dineen 12-9-65 J. Lucic 11-8-67		LTR R B NO 90185 REV D1	
DOUBLE ACTION HAND TOOL			

CUSTOMER DRAWING

DIMENSIONS IN INCHES DO NOT SCALE PRINT