

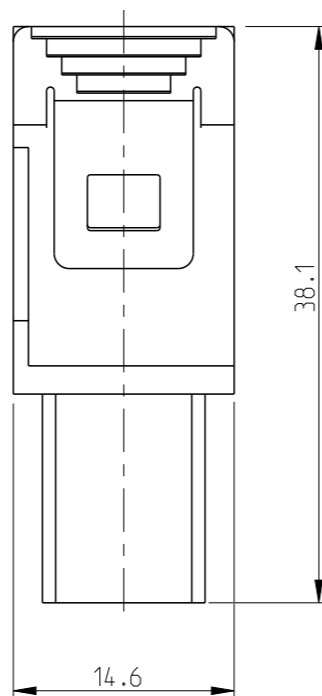
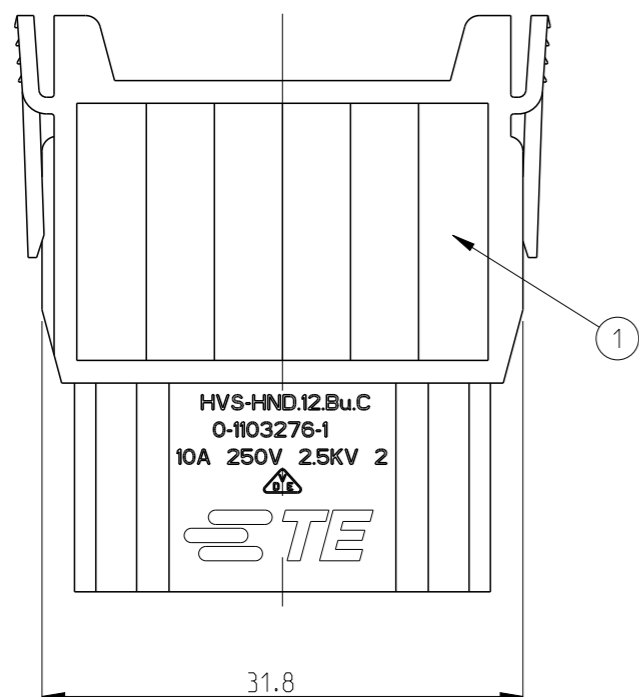
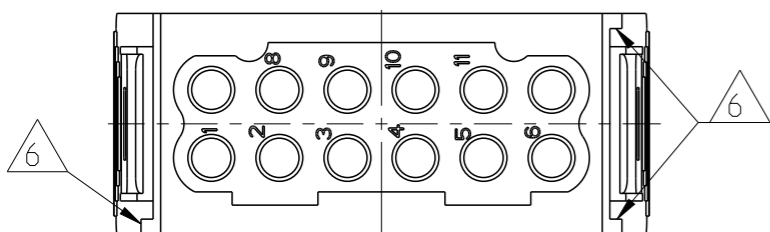
LOC  
A1

DIST

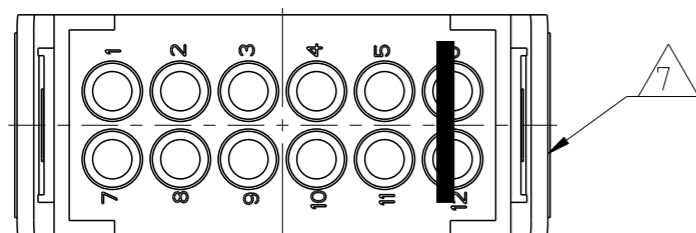
REVISIONS

P	LTR	DESCRIPTION	DATE	DWN	APVD
	C	ECR-15-007608	29MAY2015	GSK	JB

Contact arrangement  
view from connecting side



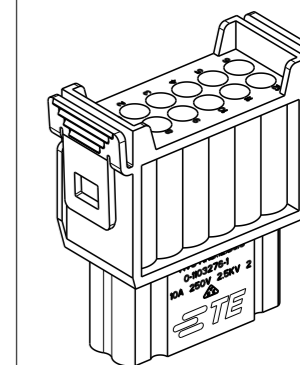
Contact arrangement  
view from termination side



NOTES


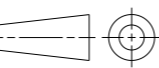


- 1 SUITABLE CRIMP CONTACTS: SERIES HN.D  
CUSTOMER DRAWING: 1105051  
OUTER DIMENSIONS OF INSULATION: MAX. Ø4mm
- 2 SUITABLE MODULE FIXING FRAME: SERIES HVS SIZE 3 TO 8  
CUSTOMER DRAWING: 1103250
- 3 SUITABLE INSERTION TOOL:  
CUSTOMER DRAWING: 1102855
- 4 SUITABLE EXTRACTION TOOL:  
CUSTOMER DRAWING: 1102855
- 5 STANDARDS:  
DIN EN 61984; DIN EN 60664-1
- 6 POLARIZATION RIPS
- 7 MARKING OF POLARIZATION ACCORDING TO MARKING OF  
MODULE FRAME
- 8 PACKAGING:  
10 PIECES IN A CARTON

PN 0-1 As Shown



QTY	DESCRIPTION	MATERIAL	COLOR	ITEM NO
1	FEMALE INSERT	PBT-GF10	LIGHT GREY	1
PN 0-1 / HVS-HND.12.BU.C				

PN 0-1 AS SHOWN

THIS DRAWING IS A CONTROLLED DOCUMENT.		DWN SCHNEIDER 20.2.2006	 TE Connectivity	
DIMENSIONS: mm		CHK A.GAST 20.2.2006		
TOLERANCES UNLESS OTHERWISE SPECIFIED: ISO 8075 DIN ISO 2768 mH-E DIN 16901-120		APVD T.SCHNURPFIL 20.2.2006	NAME FEMALE INSERT HVS-HND.12.BU.C	
		PRODUCT SPEC 108-74083	RESTRICTED TO	
MATERIAL		APPLICATION SPEC 114-74085	SIZE A3	CAGE CODE 00779
FINISH		WEIGHT	DRAWING NO C=1103276	SCALE 2:1
		CUSTOMER DRAWING		SHEET 1 OF 1
		SCALE 2:1		REV C