

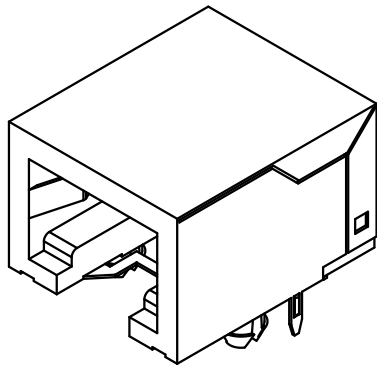
5

4

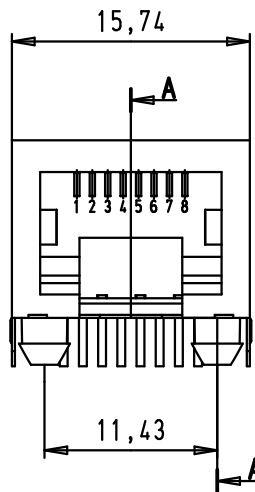
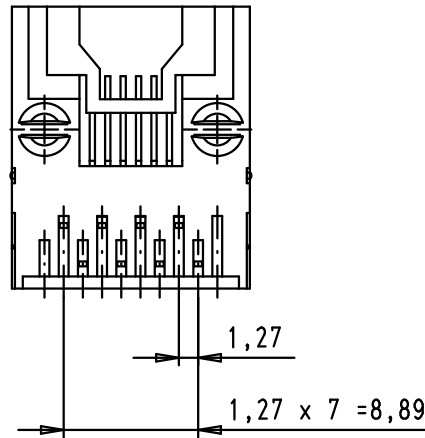
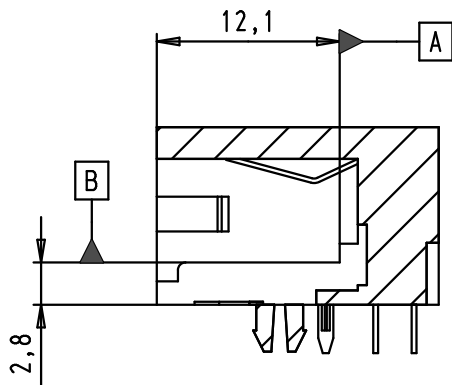
3

2

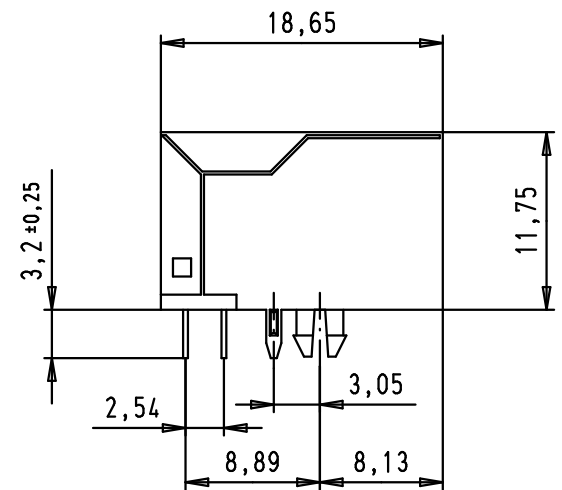
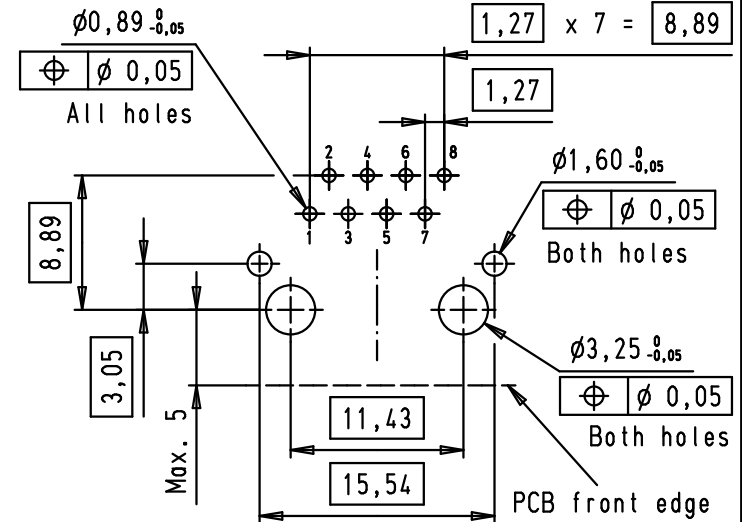
1



A-A



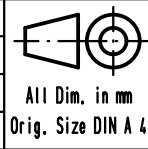
PCB layout, component side



Material:
 Shielding: Copper alloy with nickel plating
 Insert: PBT, UL-94-V0, black
 Contact: -Phosphor Bronze, selective gold plating
 15 μ m, over nickel in contact area
 -Tin plating over nickel in solder area

36299	20/04/12	SD
35070	06/08/08	PK
34885	21/02/08	LP
33488	02/06/06	AM
33468	10/05/06	JFB
33426	08/02/06	AM
33107	23/09/05	AM
Mod.	Dat.	Name

	Dat.	Name
Detail.	23/09/05	AM
Insp.	23/09/05	JMV
Stand.		



HARTING RJ Industrial®
 RJ 45 Jack
 with 8 signal solder pins and
 2 rear grounding solder pins

Maßstab/
 Scale
 2:1

HARTING EURL
 F-95972 Paris



TB 09 45 551 1102

Blatt/ Page
 1 / 1