

Embedded GPS Module



Fast-Acquisition Enhanced-Sensitivity 16-Channel SMD GPS Receiver Module

The GPS-31-FS is a miniature 16-channel OEM GPS receiver module. It is optimized for high-performance, ease-of-use, flexibility, and low-cost. The GPS receiver is suitable for a wide range of navigation and tracking applications.

Features

- 16 parallel channel GPS receiver
- 4000+ correlators
- SBAS (WAAS, EGNOS) support
- Supports active and passive antenna
- High Sensitivity:
 - -140dBm acquisition sensitivity
 - -155dBm tracking sensitivity
- Fast Acquisition:
 - < 5 second hot start
 - < 35 seconds warm start
 - < 60 second cold start
- 5m CEP accuracy
- Low Power Consumption, < 130mW
- Small Size, 25.4 x 25.4 x 3.4 mm

16 parallel channels and 4000+ correlators provide fast satellite signal acquisition and short start-up time. Acquisition sensitivity of -140dBm and tracking sensitivity of -155dBm offers good performance even under difficult environments.

The GPS-310FS provides one 3.3V UART serial I/O and one GPIO pins. Self-contained LNA supports direct connection to passive or active antenna.

Sub-100mW power consumption makes the GPS-310FS ideal for battery-operated portable devices.

Satellite-based augmentation systems, such as WAAS and EGNOS, are supported to yield improved accuracy.

Small size and SMD mounting allow standard SMT assembly process, making it ideal for high volume production.

Ordering Information

Part Number	Description
GPS-310FS	Embedded GPS Module, 16 Channel

TECHNICAL SPECIFICATIONS

Receiver Type	16 parallel channel, L1 C/A code
Accuracy	Position 5m CEP Velocity 0.1m/sec 1PPS Timing +/- 1uS
Startup Time	< 5sec hot start < 35sec warm start < 60sec cold start
Signal Reacquisition	1s
Sensitivity	-143dBm acquisition -155dBm tracking
Update Rate	1Hz
Dynamics	4G (39.2m/sec ²)
Operational Limits	Altitude < 18,000m or velocity < 515m/s (COCOM limit, either may be exceeded but not both)
Serial Interface	LVTTL level
Protocol	NMEA-0183 V3.01 GPGGA, GPGLL, GPGSA, GPGSV, GPRMC, GPVTG, GPZDA 4800, 9600, 19200, 38400 baud, 8, N, 1 (default is 4800)
Datum	Default WGS-84
Input Voltage	3.3V DC +/-10%
Current Consumption	45mA
Weight:	3g
Operating Temperature	-40°C ~ +85°C
Humidity	5% ~ 95%

3.0 Block Diagram

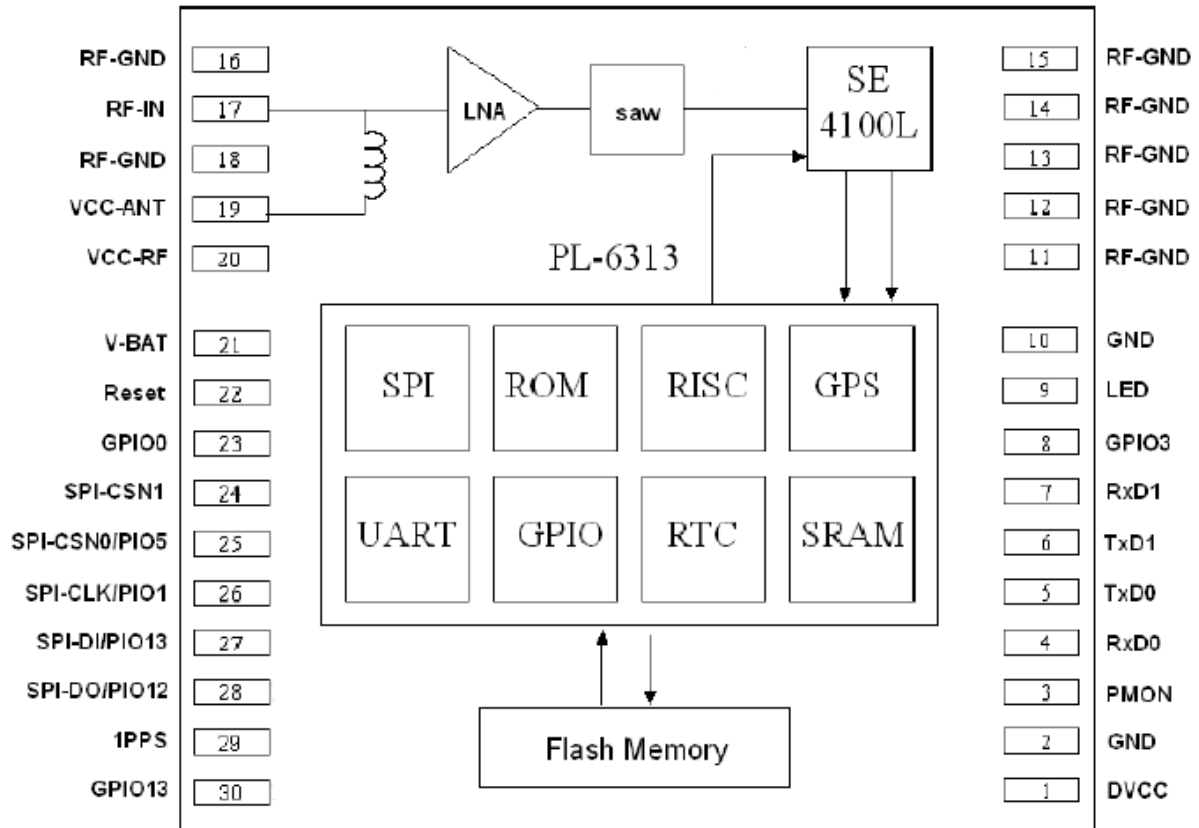


Figure 3-1 Block Diagram

4.0 Pin Assignment Description

Table 4-1 Pin Assignment Descriptions

Pin Number	Signal Name	I/O	Description
1	DVCC	-	Baseband DC power supply, 3.3V
2	GND	-	Baseband Ground
3	PMON	I	Internal test pin, Leave open if not used
4	RxD0	I	3.3V LVTTTL serial input #1, to input binary commands
5	TxD0	O	3.3V LVTTTL serial output#1
6	TxD1	O	3.3V LVTTTL serial output#2
7	RxD1	I	3.3V LVTTTL serial input #2, to input binary commands
8	GPIO3	I/O	General purpose I/O port 3
9	LED	O	Status indicator
10	GND	-	Baseband Ground
11	RF-GND	-	RF ground
12	RF-GND	-	RF ground
13	RF-GND	-	RF ground
14	RF-GND	-	RF ground
15	RF-GND	-	RF ground
16	RF-GND	-	RF ground
17	RF-IN	-	RF input. 50 Ω impedance
18	RF-GND	-	RF ground
19	VCC-ANT	-	DC power for active antenna. Leave open if not used
20	VCC-RF	-	RF DC power supply, 3.3V
21	VBAT	-	External battery power, 3.3V
22	EXT-RSTN	I	External reset pin, active low
23	GPIO0	I/O	General purpose I/O port 0
24	SPI-CSN1	O	SPI chip select 1
25	SPI-CSN0/PIO5	I/O	General purpose I/O port 5, Multiplexed with SPI chip select 0
26	SPI-CLK/PIO1	I/O	General purpose I/O port 1, Multiplexed with SPI clock
27	SPI-DI/PIO13	I/O	General purpose I/O port 13, Multiplexed with SPI receiver data
28	SPI-DO/PIO12	I/O	General purpose I/O port 12, Multiplexed with SPI transmitter data
29	*P1PPS	O	1 pulse per second output
30	GPIO13	I/O	General purpose I/O port 13

5.0 *P1PPS Output

The GPS receiver is in navigation mode upon power-up, with 1PPS output free running. After 30 seconds of valid position fix and remaining under static-mode, the receiver changes to timing-mode, with 1PPS output signal synchronized to the UTC second. The receiver will change to navigation-mode, with 1PPS output free running, if the receiver is in motion. The 1PPS output will become synchronized to the UTC second again after the receiver had remained in static mode for 30 seconds.

For some applications, user may not need the timing pulse as precise as +/- 1us. For such condition, 30 seconds after 3D position fixed is not necessary.

P1PPS Timing Characteristics

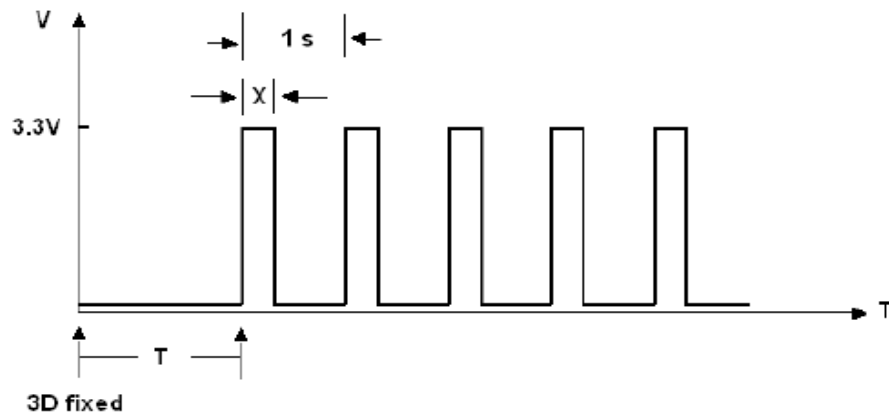


Figure 5-1 P1PPS Timing Characteristics

T: Default 30 seconds, customer definable.
X: Default 100 ms, customer definable.

6.0 Module Dimension

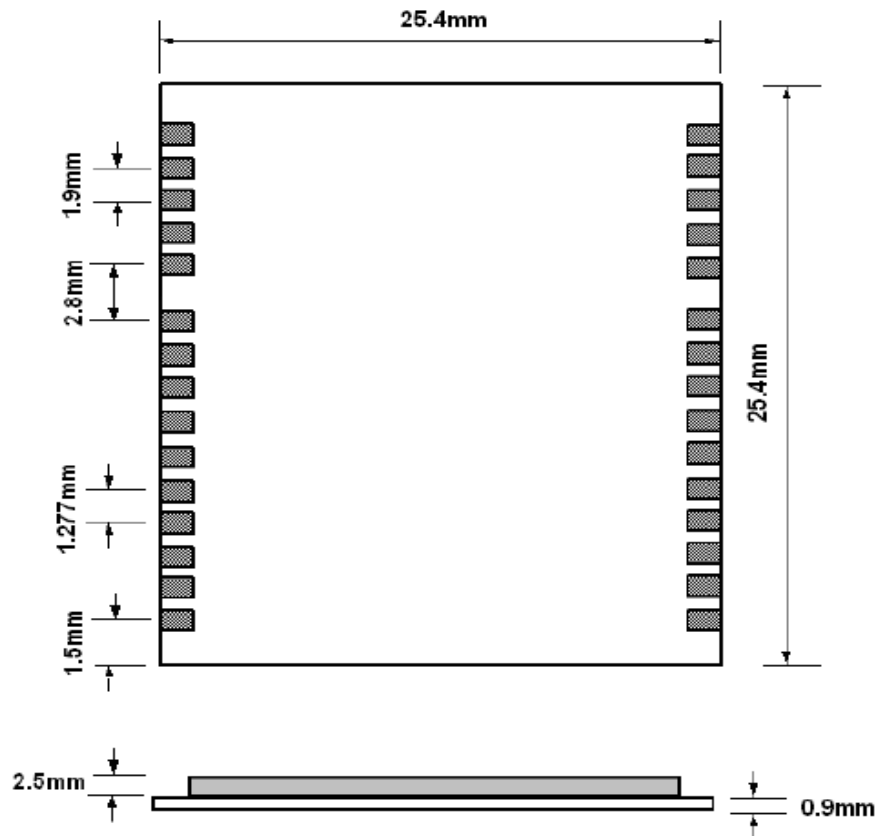


Figure 6-1 Module Dimension

7.0 Recommended Pad Layout

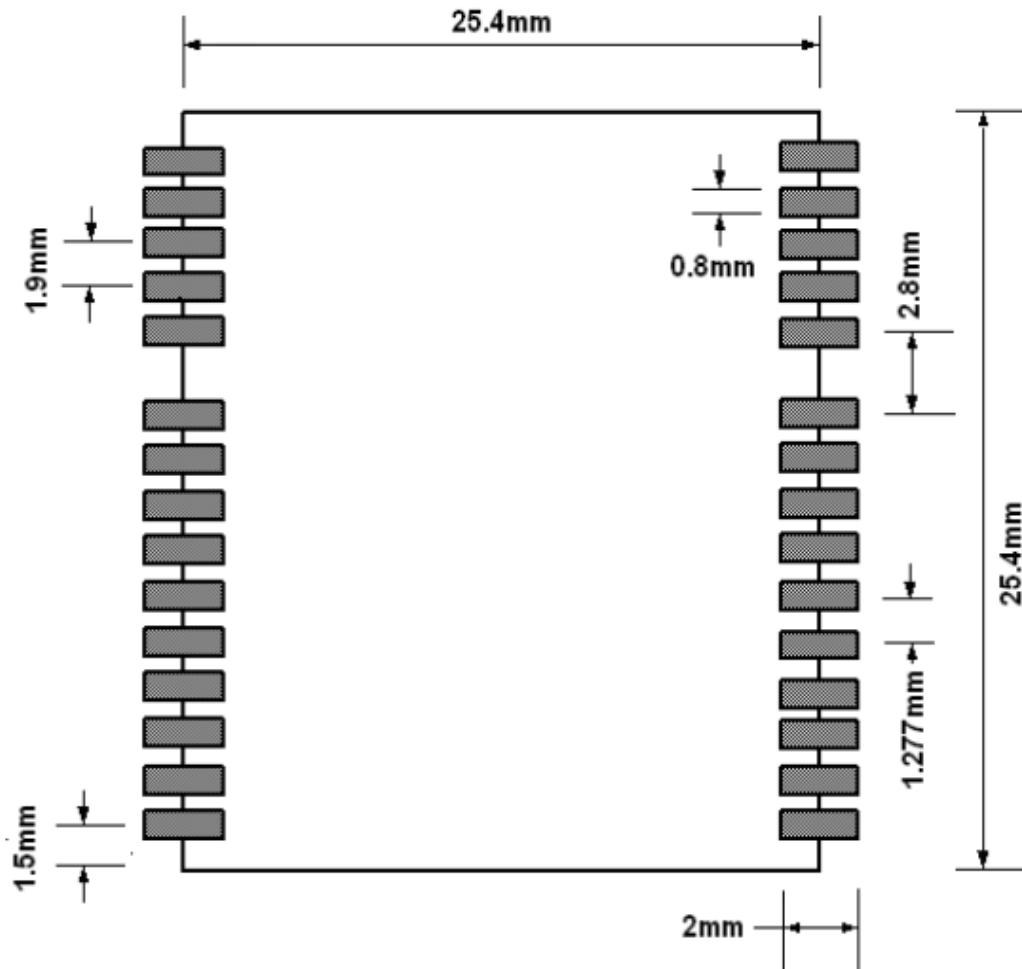
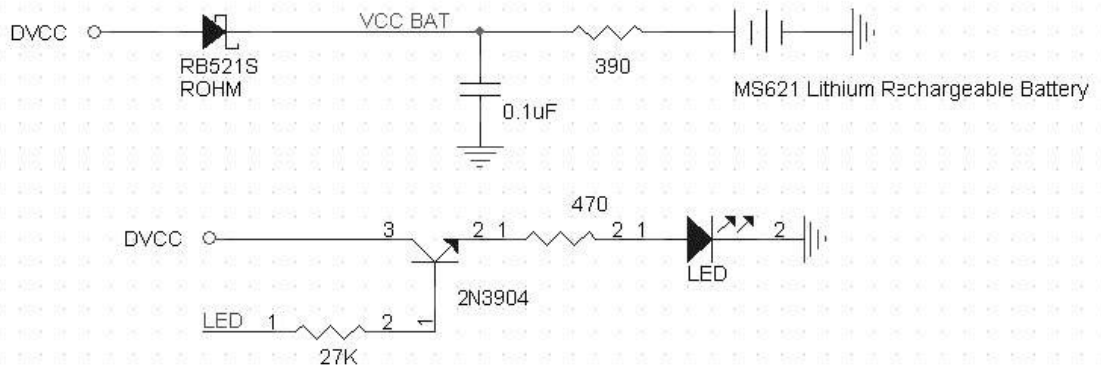
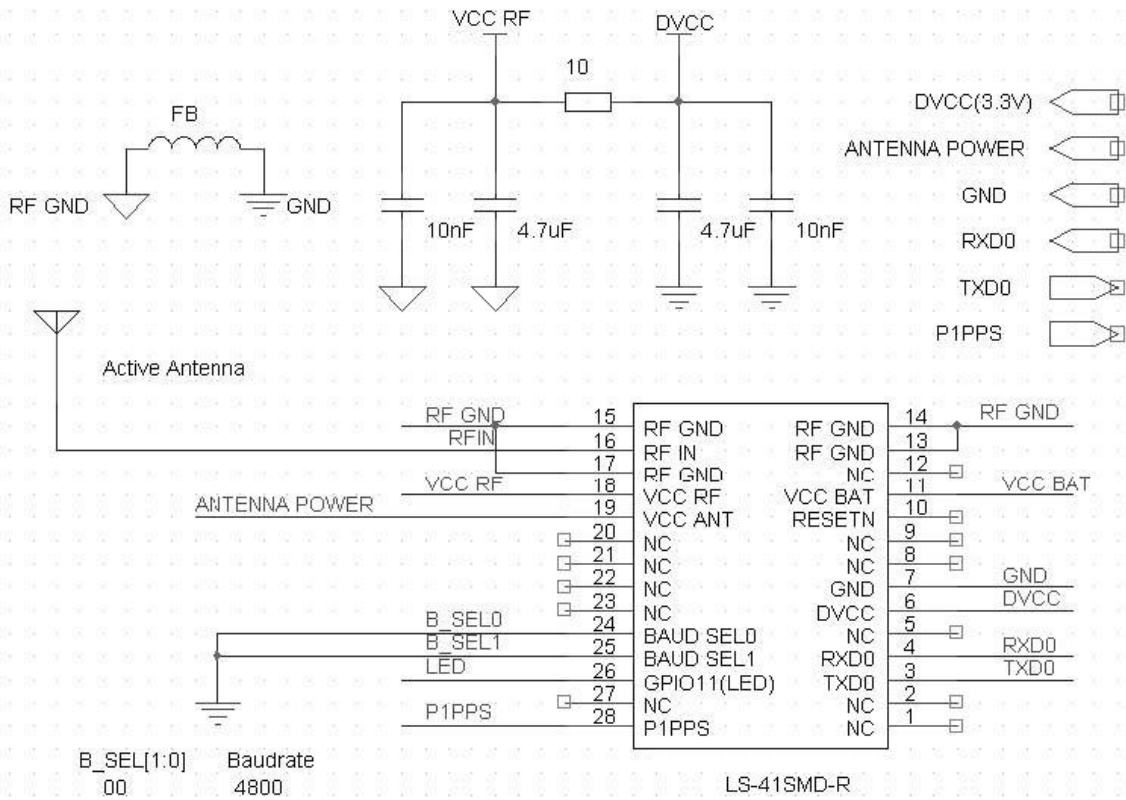
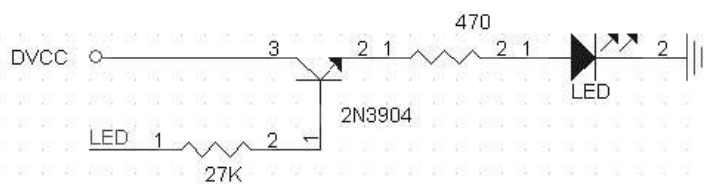
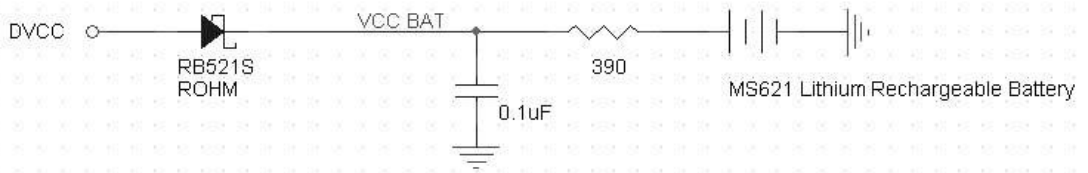
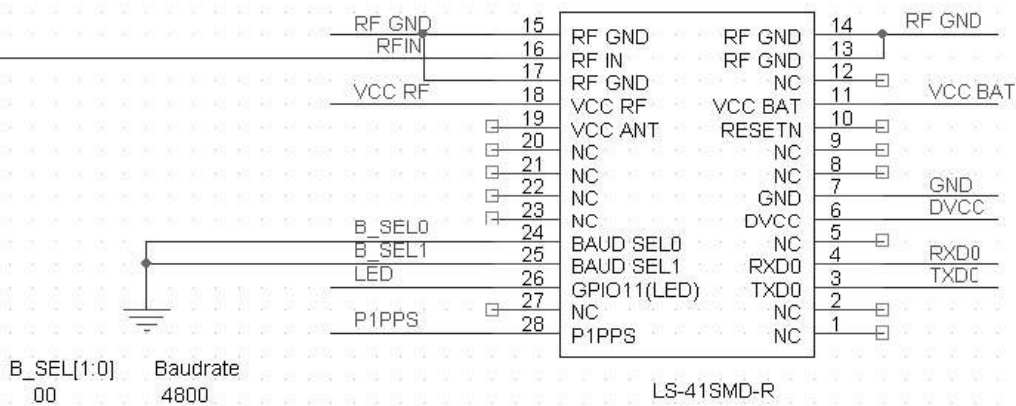
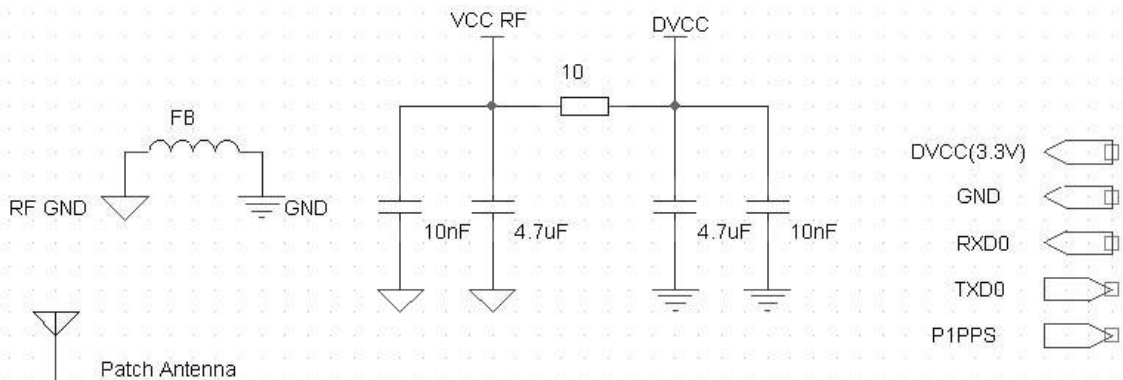


Figure 7-1 Recommended Pad Layout

ACTIVE ANTENNA APPLICATION = - LS-41SMDR (GPS-310FS)



PATCH ANTENNA APPLICATION



NMEA Messages

The serial interface protocol is based on the National Marine Electronics Association's NMEA 0183 ASCII interface specification. This standard is fully define in "NMEA 0183, Version 3.01" The standard may be obtained from NMEA, www.nmea.org

GGA - GPS FIX DATA

Time, position and position-fix related data (number of satellites in use, HDOP, etc.).

Format:

\$GPGGA,<1>,<2>,<3>,<4>,<5>,<6>,<7>,<8>,<9>,M,<10>,M,<11>,<12>,*<13><CR><LF>

Example:

\$GPGGA,104549.04,2447.2038,N,12100.4990,E,1,06,01.7,00078.8,M,0016.3,M,,*5C<CR><LF>

Field	Example	Description
1	104549.04	UTC time in hhmmss.ss format, 000000.00 ~ 235959.99
2	2447.2038	Latitude in ddmm.mmmm format Leading zeros transmitted
3	N	Latitude hemisphere indicator, 'N' = North, 'S' = South
4	12100.4990	Longitude in dddmm.mmmm format Leading zeros transmitted
5	E	Longitude hemisphere indicator, 'E' = East, 'W' = West
6	1	Position fix quality indicator 0: position fix unavailable 1: valid position fix, SPS mode 2: valid position fix, differential GPS mode
7	06	Number of satellites in use, 00 ~ 12
8	01.7	Horizontal dilution of precision, 00.0 ~ 99.9
9	00078.8	Antenna height above/below mean sea level, -9999.9 ~ 17999.9
10	0016.3	Geoidal height, -999.9 ~ 9999.9
11		Age of DGPS data since last valid RTCM transmission in xxx format (seconds) NULL when DGPS not used
12		Differential reference station ID, 0000 ~ 1023 NULL when DGPS not used
13	5C	Checksum

Note: The checksum field starts with a '*' and consists of 2 characters representing a hex number. The checksum is the exclusive OR of all characters between '\$' and '*'.

GLL - LATITUDE AND LONGITUDE, WITH TIME OF POSITION FIX AND STATUS

Latitude and longitude of current position, time, and status.

Format:

\$GPGLL,<1>,<2>,<3>,<4>,<5>,<6>,<7>*<8><CR><LF>

Example:

\$GPGLL,2447.2073,N,12100.5022,E,104548.04,A,A*65<CR><LF>

Field	Example	Description
1	2447.2073	Latitude in ddmm.mmmm format Leading zeros transmitted
2	N	Latitude hemisphere indicator, 'N' = North, 'S' = South
3	12100.5022	Longitude in dddmm.mmmm format Leading zeros transmitted
4	E	Longitude hemisphere indicator, 'E' = East, 'W' = West
5	104548.04	UTC time in hhmmss.ss format, 000000.00 ~ 235959.99
6	A	Status, 'A' = valid position, 'V' = navigation receiver warning
7	A	Mode indicator 'N' = Data invalid 'A' = Autonomous 'D' = Differential 'E' = Estimated
8	65	Checksum

GSA - GPS DOP AND ACTIVE SATELLITES

GPS receiver operating mode, satellites used for navigation, and DOP values.

Format:

\$GPGSA,<1>,<2>,<3>,<3>,<3>,<3>,<3>,<3>,<3>,<3>,<3>,<3>,<3>,<3>,<4>,<5>,<6>*<7><CR><LF>

Example:

\$GPGSA,A,3,26,21,,,09,17,,,,,10.8,02.1,10.6*07<CR><LF>

Field	Example	Description
1	A	Mode, 'M' = Manual, 'A' = Automatic
2	3	Fix type, 1 = not available, 2 = 2D fix, 3 = 3D fix
3	26,21,,,09,17,,,,,	PRN number, 01 to 32, of satellite used in solution, up to 12 transmitted
4	10.8	Position dilution of precision, 00.0 to 99.9
5	02.1	Horizontal dilution of precision, 00.0 to 99.9
6	10.6	Vertical dilution of precision, 00.0 to 99.9
7	07	Checksum

GSV - GPS SATELLITE IN VIEW

Number of satellites in view, PRN number, elevation angle, azimuth angle, and C/No. Only up to four satellite details are transmitted per message. Additional satellite in view information is sent in subsequent GSV messages.

Format:

\$GPGSV,<1>,<2>,<3>,<4>,<5>,<6>,<7>,...,<4>,<5>,<6>,<7> * <8><CR><LF>

Example:

\$GPGSV,2,1,08,26,50,016,40,09,50,173,39,21,43,316,38,17,41,144,42*7C<CR><LF>

\$GPGSV,2,2,08,29,38,029,37,10,27,082,32,18,22,309,24,24,09,145,*7B<CR><LF>

Field	Example	Description
1	2	Total number of GSV messages to be transmitted
2	1	Number of current GSV message
3	08	Total number of satellites in view, 00 ~ 12
4	26	Satellite PRN number, GPS: 01 ~ 32, SBAS: 33 ~ 64 (33 = PRN120)
5	50	Satellite elevation number, 00 ~ 90 degrees
6	016	Satellite azimuth angle, 000 ~ 359 degrees
7	40	C/No, 00 ~ 99 dB Null when not tracking
8	7C	Checksum

RMC - RECOMMENDED MINIMUM SPECIFIC GPS/TRANSIT DATA

Time, date, position, course and speed data.

Format:

\$GPRMC,<1>,<2>,<3>,<4>,<5>,<6>,<7>,<8>,<9>,<10>,<11>,<12>* <13><CR><LF>

Example:

\$GPRMC,104549.04,A,2447.2038,N,12100.4990,E,016.0,221.0,250304,003.3,W,A*22<CR><LF>

Field	Example	Description
1	104549.04	UTC time in hhmmss.ss format, 000000.00 ~ 235959.99
2	A	Status, 'V' = navigation receiver warning, 'A' = valid position
3	2447.2038	Latitude in dddmm.mmmm format Leading zeros transmitted
4	N	Latitude hemisphere indicator, 'N' = North, 'S' = South
5	12100.4990	Longitude in dddmm.mmmm format Leading zeros transmitted
6	E	Longitude hemisphere indicator, 'E' = East, 'W' = West
7	016.0	Speed over ground, 000.0 ~ 999.9 knots
8	221.0	Course over ground, 000.0 ~ 359.9 degrees
9	250304	UTC date of position fix, ddmmyy format
10	003.3	Magnetic variation, 000.0 ~ 180.0 degrees
11	W	Magnetic variation direction, 'E' = East, 'W' = West
12	A	Mode indicator 'N' = Data invalid 'A' = Autonomous 'D' = Differential 'E' = Estimated
13	22	Checksum

VTG - COURSE OVER GROUND AND GROUND SPEED

Velocity is given as course over ground (COG) and speed over ground (SOG).

Format:

GPVTG,<1>,T,<2>,M,<3>,N,<4>,K,<5>*<6><CR><LF>

Example:

\$GPVTG,221.0,T,224.3,M,016.0,N,0029.6,K,A*1F<CR><LF>

Field	Example	Description
1	221.0	True course over ground, 000.0 ~ 359.9 degrees
2	224.3	Magnetic course over ground, 000.0 ~ 359.9 degrees
3	016.0	Speed over ground, 000.0 ~ 999.9 knots
4	0029.6	Speed over ground, 0000.0 ~ 1800.0 kilometers per hour
5	A	Mode indicator 'N' = Data invalid 'A' = Autonomous 'D' = Differential 'E' = Estimated
6	1F	Checksum

ZDA TIME AND DATE

Format:

\$GPZDA,<1>,<2>,<3>,<4>,<5>,<6>*<7><CR><LF>

Example:

\$GPZDA,104548.04,25,03,2004,.,*6C<CR><LF>

Field	Example	Description
1	104548.04	UTC time in hhmmss.ss format, 000000.00 ~ 235959.99
2	25	UTC time: day (01 ... 31)
3	03	UTC time: month (01 ... 12)
4	2004	UTC time: year (4 digit year)
5		Local zone hour Not being output by the receiver (NULL)
6		Local zone minutes Not being output by the receiver (NULL)
7	6C	Checksum

Binary Messages

See *Binary Message Protocol User's Guide, DS-41COM* for detailed descriptions.

Disclaimer:

Whilst the information in this document is believed to be correct at the time of issue, RF Solutions Ltd does not accept any liability whatsoever for its accuracy, adequacy or completeness. No express or implied warranty or representation is given relating to the information contained in this document. RF Solutions Ltd reserves the right to make changes and improvements to the product(s) described herein without notice. Buyers and other users should determine for themselves the suitability of any such information or products for their own particular requirements or specification(s). RF Solutions Ltd shall not be liable for any loss or damage caused as a result of user's own determination of how to deploy or use RF Solutions Ltd's products. Use of RF Solutions Ltd products or components in life support and/or safety applications is not authorised except with express written approval. No licences are created, implicitly or otherwise, under any of RF Solutions Ltd's intellectual property rights. Liability for loss or damage resulting or caused by reliance on the information contained herein or from the use of the product (including liability resulting from negligence or where RF Solutions Ltd was aware of the possibility of such loss or damage arising) is excluded. This will not operate to limit or restrict QuasarUK Ltd's liability for death or personal injury resulting from its negligence.