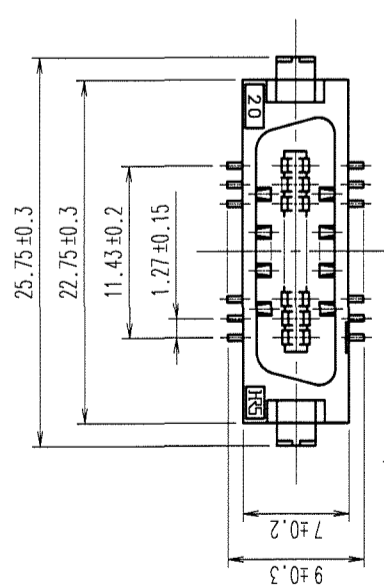
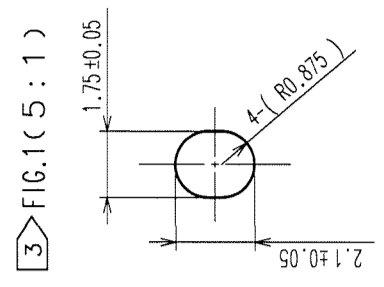
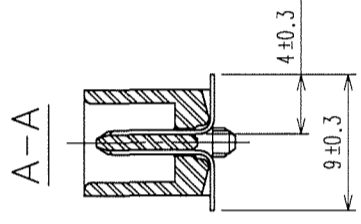
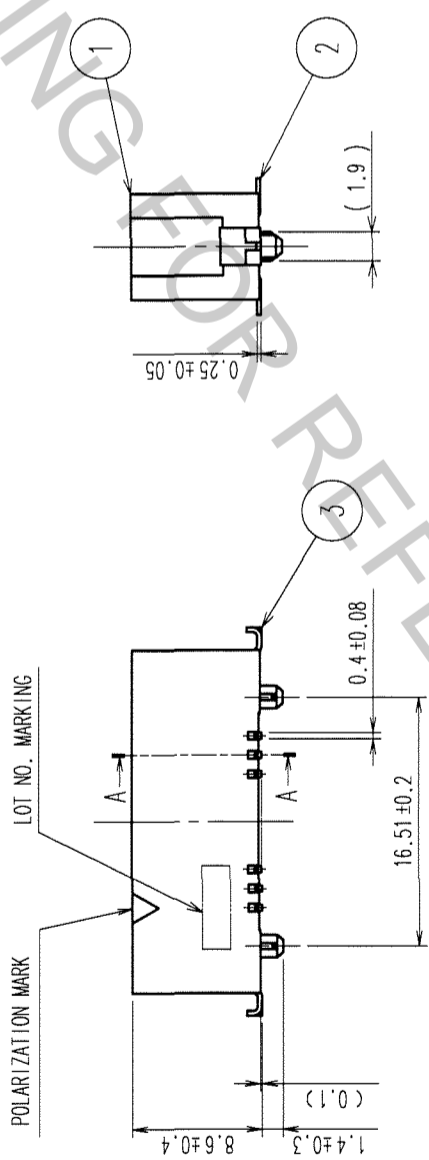
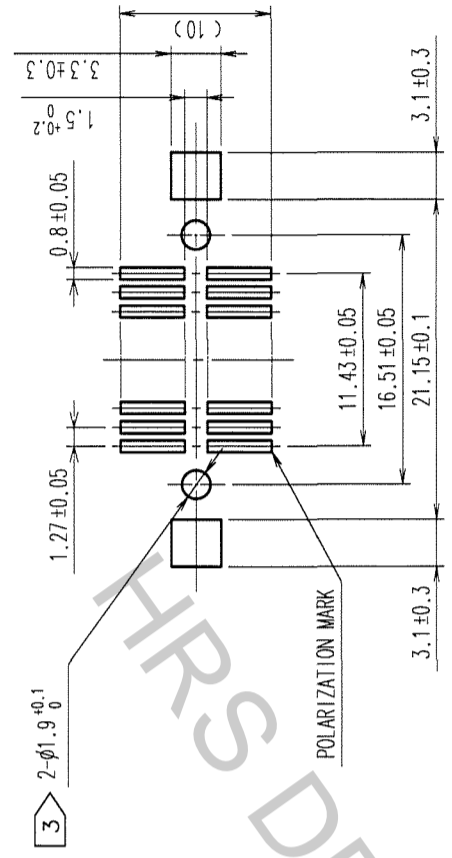


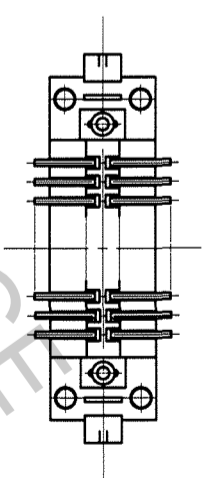
COUNT	DESCRIPTION OF REVISIONS	BY	CHKD	DATE	COUNT	DESCRIPTION OF REVISIONS	BY	CHKD	DATE
△					△				
△					△				
△					△				



RECOMMENDED LAND PATTERN DIMENSION OF PCB (MOUNTING SIDE)



- NOTES
- 1 LEAD CO-PLANARITY SHALL BE 0.15 MAX.
 - 2 THE DIMENSIONS IN PARENTHESES ARE FOR REFERENCE.
 - 3 IN CASE OF THE AUTOMATED MOUNTING, RECOMMENDED HOLE DIAMETER OF BOSS IS SHOWN IN FIG.1.



NO.	MATERIAL	FINISH, REMARKS	NO.	MATERIAL	FINISH, REMARKS
3	BRASS	TIN-PLATING	2	PHOSPHOR BRONZE	
1	PPS	LIGHT BROWN (UL94V-0)			

CODE NO. (OLD)	CL	DRAWN	DESIGNED	CHECKED	APPROVED	RELEASED
		A. SUZUKAWA	Atakamura	(Suzuki)	H. Okawa	
		06.02.08	06.02.13	06.02.13	06.02.13	

DRAWING NO.	PART NO.
EDC3-082752-21	FX2-20P-1.27SVL(71)

SCALE	UNITS	CODE NO.
2 : 1	mm	CL572-2051-7-71

TO
PCK