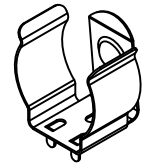
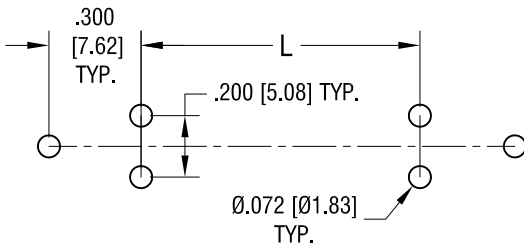


THIS DOCUMENT IS THE PROPERTY OF KEYSTONE ELECTRONICS CORP. AND SHALL NOT BE REPRODUCED, DISTRIBUTED OR USED AS A BASIS FOR MANUFACTURE WITHOUT PRIOR WRITTEN PERMISSION FROM KEYSTONE ELECTRONICS CORP.



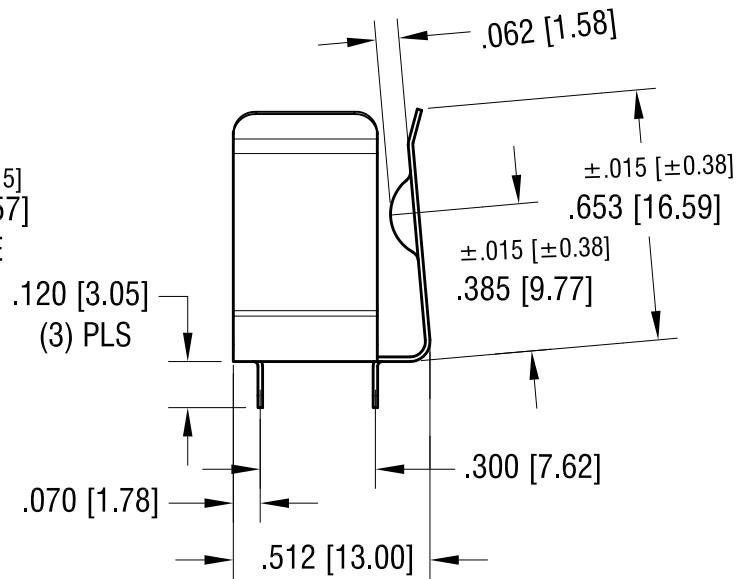
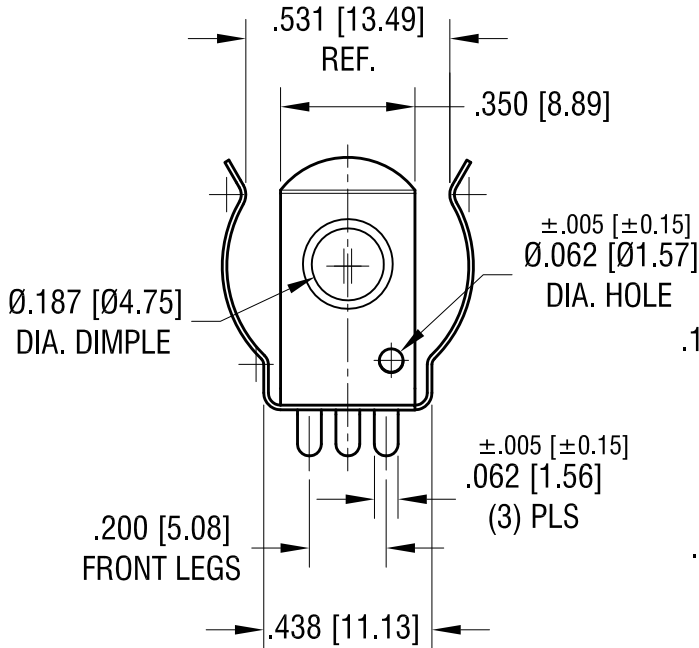
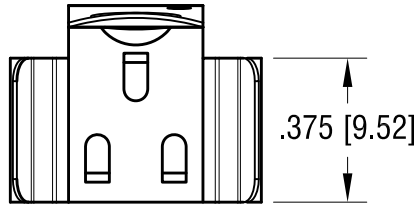
ACTUAL SIZE

MOUNTING LAYOUT



CELL SIZE	"L" DIMENSION
18650 *	1.890 [48.00]
CR123A	.570 [14.50]
17500	1.218 [30.90]

\* FOR BATTERIES WITH BUILT-IN CIRCUIT PROTECTION TYP.



PCB PROTECTION CIRCUITS ARE REQUIRED WHEN USED WITH LITHIUM-ION BATTERIES

NOTE:

1. HEAT TREAT TO SPRING TEMPER

DATE	DESCRIPTION	REV.
9.06.16	CHANGE AS PER ECR 16-058	E
9.13.13	CHANGE AS PER ECN 13-069	D
2.08.11	CHANGE AS PER ECN 11-011	C
11.9.10	CHANGE AS PER ECN 10-079	B
8.16.10	CHANGE AS PER ECN 10-060	A

**KEYSTONE ELECTRONICS CORP.**

www.keyelco.com • ASTORIA, N.Y. 11105-2017 • Tel (718) 956-8900

PART NAME			16mm - 19mm PC BATTERY CLIP		
MATERIAL			.012 [0.30] TH'K ANNEALED SPRING STEEL		
FINISH		DRN BY	NT	DATE	
TIN NICKEL PLATE		APP'D	LN	5.04.09	
TOLERANCES		INCH [MM]		CODE	
DECIMAL		±.010 [±0.25]		C	
ANGULAR		± 2°		DWG NO.	
UNLESS OTHERWISE SPECIFIED				54	