

Ratings
 Voltage: 30 Vdc
 Current: 300 mA

Operating Temperature Range
 -25° to 85°C, relative humidity of 85% or less

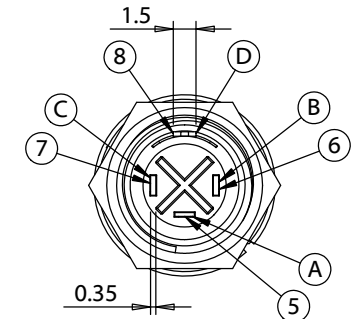
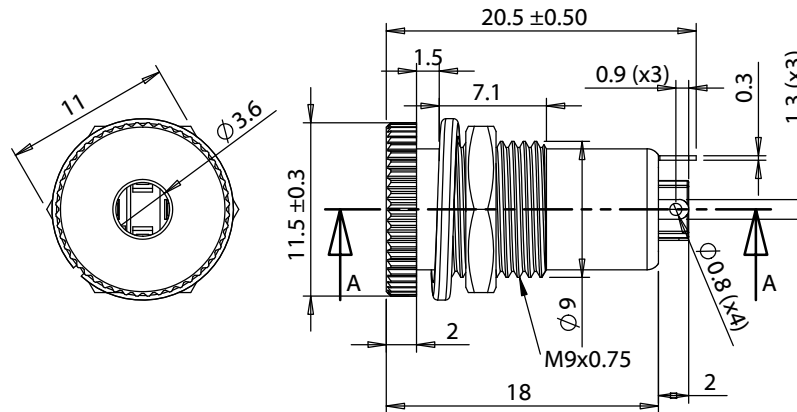
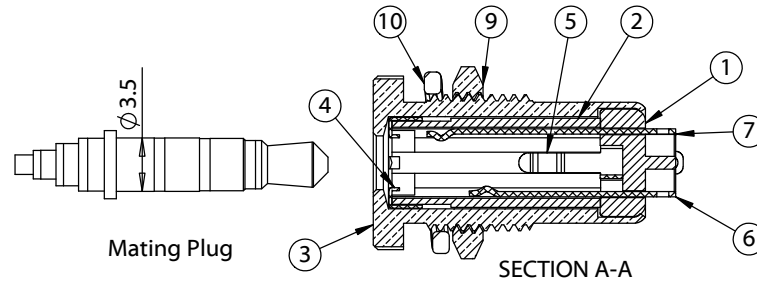
Materials
 1. Insulator: nylon, black
 2. Insulator: nylon, black
 3. Shell: brass, nickel-plated
 4. Spring contact: phosphor bronze, nickel-plated
 5. Spring contact: phosphor bronze, nickel-plated
 6. Spring contact: phosphor bronze
 7. Spring contact: phosphor bronze, nickel-plated
 8. Solder tab: brass, nickel-plated
 9. Nut: brass, nickel-plated, P/N 56-00004, M9x 0.75
 10. Split washer: cold rolled steel, nickel-plated, P/N 56-00005

Electrical Requirements
 Dielectric strength: 1 min @ 500 Vac
 Insulation resistance: 100 MΩ @ 500 Vdc
 Contact resistance: 50 mΩ or less

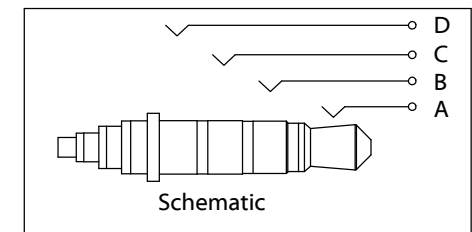
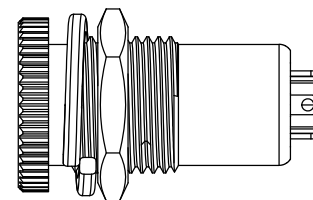
Mechanical Requirements
 Insertion force: 0.3-2 kgf
 Withdrawal force: 0.3-2 kgf
 Terminal strength: a static load of 300 gf shall be applied to the terminal for 15 seconds in any direction.
 Life cycle: 5000 mating cycles while maintaining less than 100 mΩ contact resistance, 50MΩ insulation resistance, and 500 Vac for 1 minute withstand voltage.

Soldering
 Solderability: 75% minimum coverage when terminals dipped 2mm in 235 ±5 °C solder bath for 3 ±0.5 seconds
 Solder bath durability: no deformation when immersed in 255 ±5 °C up to surface of the board 1.6 mm for 5 seconds or less
 Solder iron durability: no deformation when exposed to 350 ±10 °C for 3 ±0.5 seconds

Environmental Requirements
 Cold test: -25 ±3 °C for 48 hours without deformation
 Heat test: 85 ±2 °C, relative humidity 45-85% for 48 hours without deformation
 Humidity test: 40 ±2 °C, relative humidity 90-98% for 48 hours without deformation



Installation Details
 Panel thickness: 1.0 - 4.8 mm
 Panel cutout Ø: 9.2 - 10.5 mm



Revision:	Date:	Description:
A	8/8/2017	Initial release

Prepared:
 Verified:
 Dimensions are in millimeters.
 Tolerances:
 X: ± 0.5 mm
 X.X: ± 0.3 mm
 X.XX: ± 0.05 mm

Notes:
 RoHS and REACH compliant
 Function test: no open, no short circuit, no intermittent
 Description:
 Connector, 4C audio jack, 3.5x20.5 mm, panel mount, nickel plated, threaded, nut and washer

TENSILITY
 tel 1.541.323.3228 800 877.670.7118
 fax 1.541.323.4202 web tensility.com

Size: A Part number: 54-00082
 Scale: 2:1 Sheet 1 of 1