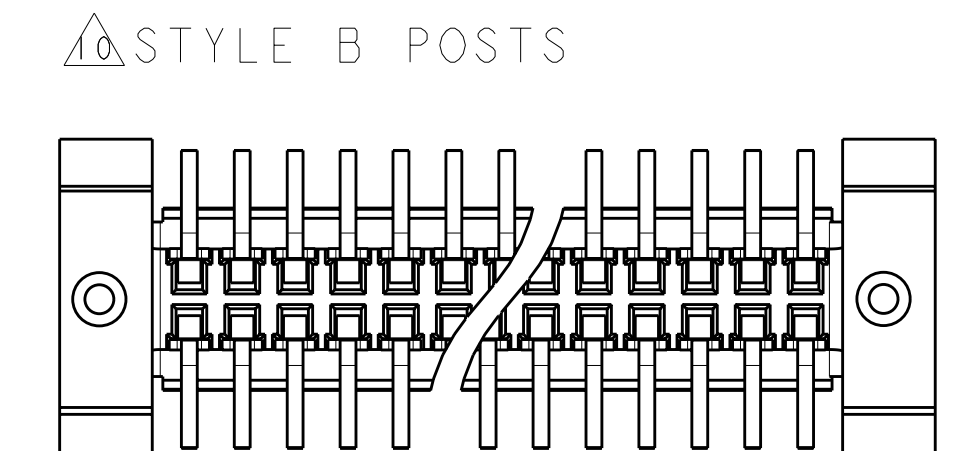
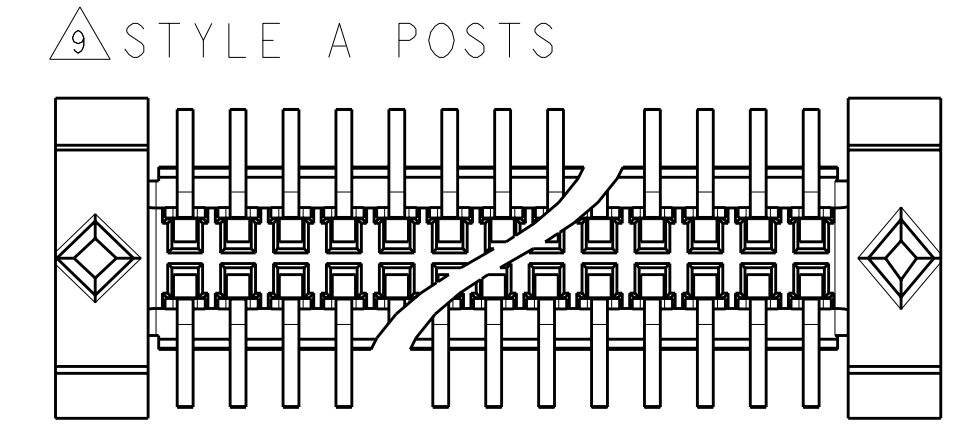
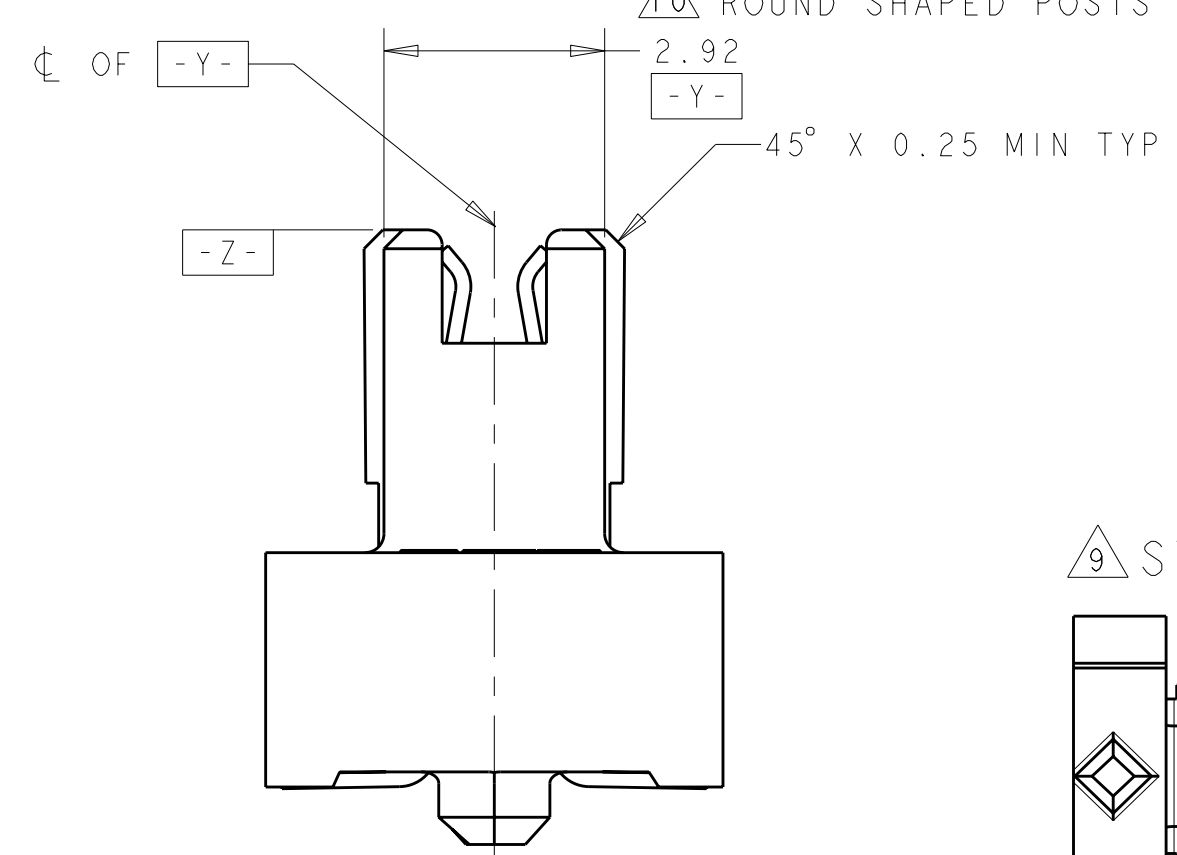
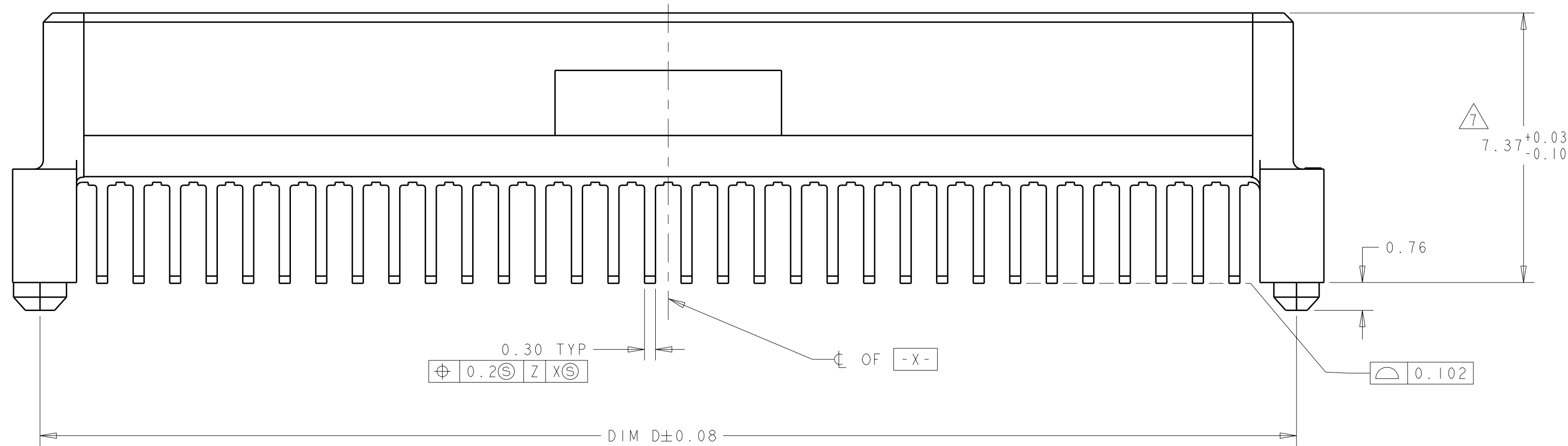
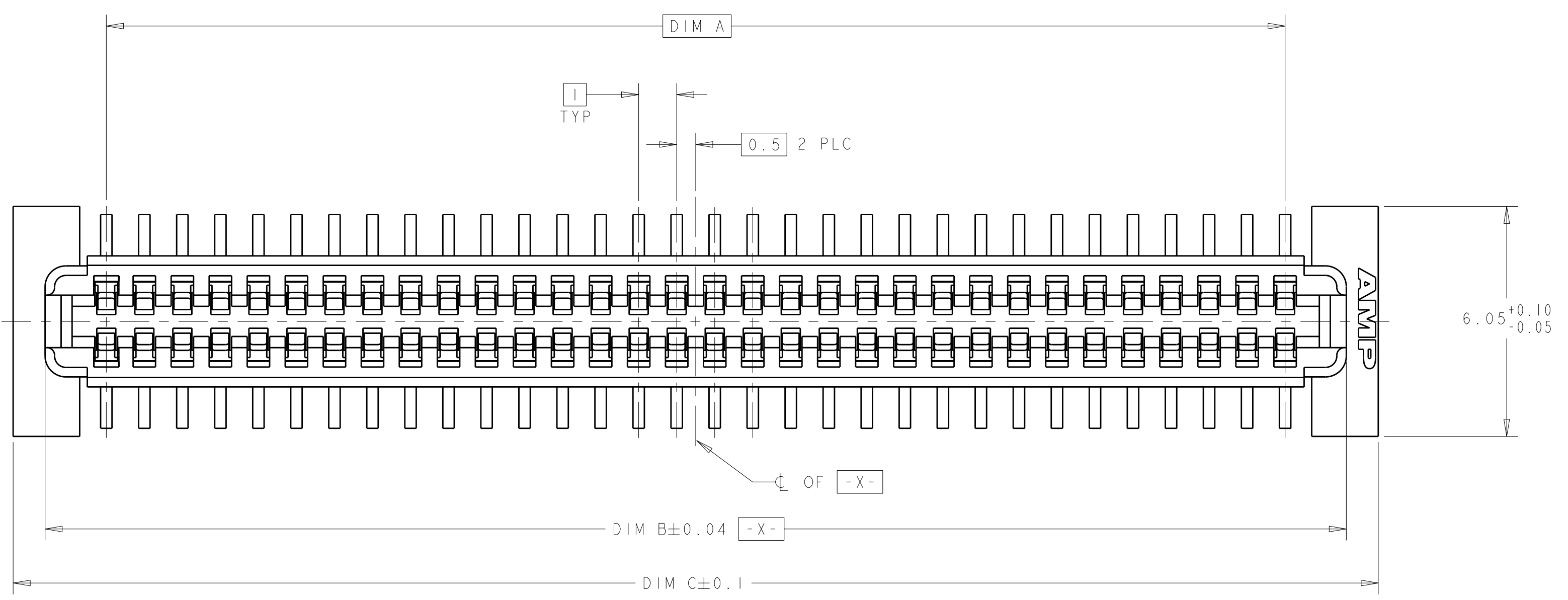
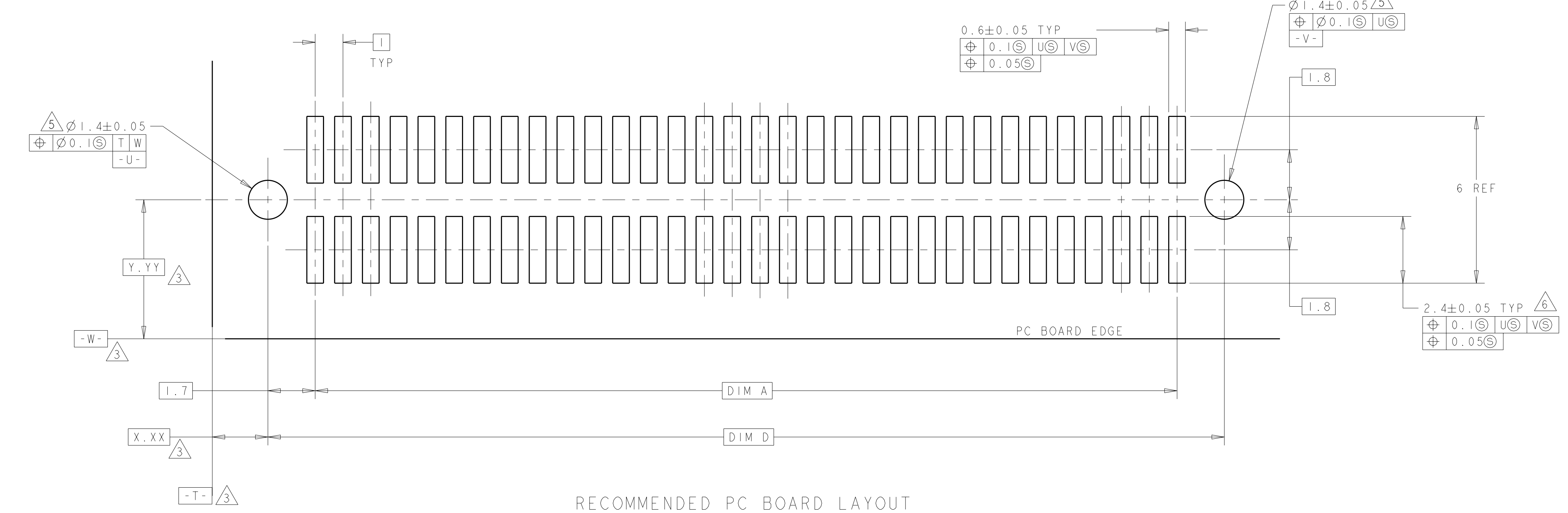


LOC	DIST	REV	DATE	DWN	APVD
AD	00	0	30SEP2004	BC	RW
		A	10JUL2006	DH	DB
		AI	14SEP2009	AEG	HM



1. HOUSING MATERIAL: HIGH TEMPERATURE THERMOPLASTIC. COLOR; BLACK. CONTACT MATERIAL: PHOSPHOR BRONZE.
2. CONTACT FINISH: NICKEL UNDERPLATE ALL OVER, MATING SURFACES PLATED TO MEET PL1 PERFORMANCE REQUIREMENTS OF INDUSTRY SPECIFICATION EIA-700AAAB, SOLDER TAILS PLATED TIN.
3. DATUM LOCATIONS AND BASIC DIMENSIONS TO BE ESTABLISHED BY THE CUSTOMER. CONSULT AMP ENGINEERING WHEN PLACING MULTIPLE CONNECTORS ON A PC BOARD.
4. PACKAGED IN TAPE ON REEL PER EIA-481.
5. 1.5 MIN DIAMETER HOLE SHOULD BE USED IF USING POST STYLE "A" AND PLACING ON PCB WITH VACUUM PLACEMENT EQUIPMENT.
6. SHORTER SOLDER LANDS MAY BE USED PER EIA 700AAAB, HOWEVER 2.4 LENGTH ASSURES OPTIMUM SOLDER FILLET REGARDLESS OF MANUFACTURER OF CONNECTOR.
7. REFERRED TO AS DIM H = 7.3±0.1 IN EIA 700AAAB SPECIFICATION.
8. CONTACT FINISH: 0.00381 MINIMUM MATTE TIN PER ASTM B 545 ON SOLDER AREA, 0.0127 MINIMUM GOLD PER ASTM B 488 ON MATING AREA, BOTH OVER 0.00127 MINIMUM NICKEL PER SAE-AMS-QQ-N-290 ON ENTIRE CONTACT.
9. SQUARE AND DIAMOND SHAPED POSTS
10. ROUND SHAPED POSTS



RECOMMENDED PC BOARD LAYOUT

POST STYLE	FINISH	DIM D	DIM C	DIM B	DIM A	STACK HGTS	POS	PART NO
10	8	44.4	45.9	44.22	41	11, 12	84	3-5120603-2
10	2	34.4	35.9	34.22	31	11, 12	64	3-5120603-1
10	2	44.4	45.9	44.22	41	11, 12	84	2-5120603-2
9	2	34.4	35.9	34.22	31	11, 12	64	2-5120603-1
9	8	44.4	45.9	44.22	41	11, 12	84	1-5120603-2
9	2	34.4	35.9	34.22	31	11, 12	64	1-5120603-1
9	2	44.4	45.9	44.22	41	11, 12	84	5120603-2
9	2	34.4	35.9	34.22	31	11, 12	64	5120603-1

DIMENSIONS: mm TOLERANCES UNLESS OTHERWISE SPECIFIED: 9 PLC ± 1 PLC ±0.03 2 PLC ±0.03 3 PLC ±0.03 4 PLC ± ANGLES 40°-1° FINISH SEE TABLE		DIMENSIONS: mm TOLERANCES UNLESS OTHERWISE SPECIFIED: 1.4 ± 0.05 0.1 ± 0.05 0.05 1.8 6 REF 2.4 ± 0.05 TYP 0.1 ± 0.05 0.05		DWN B. CARBO CHK R. WERTZ APVD R. WERTZ PRODUCT SPEC 502-1079 APPLICATION SPEC 114-25045 WEIGHT CUSTOMER DRAWING		30SEP04 30SEP04 30SEP04 NAME RECEPTACLE ASSY, 1.0mm FH(IEEE1386) CONNECTOR SIZE CAGE CODE DRAWING NO A1 00779 C=5120603 SCALE 10:1 SHEET 1 OF 1 REV A1		Tyco Electronics Corporation Harrisburg, PA 17105-3608	
--	--	--	--	--	--	---	--	---	--