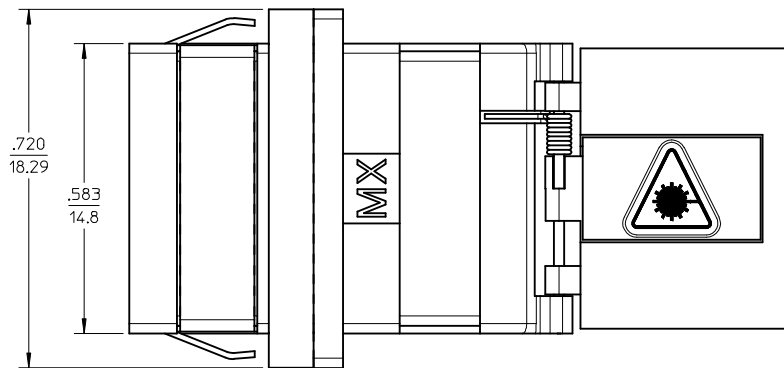
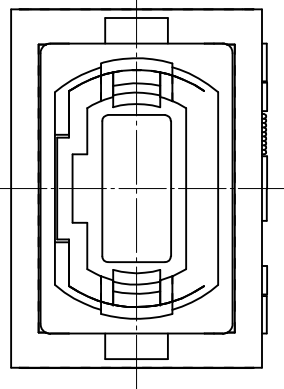


RECOMMENDED PANEL CUTOUT
PANEL THICKNESS - 1.22mm/.048"



NOTES:

1. ALL DIMENSIONS ARE FOR REFERENCE ONLY.
2. CONDUCTIVE SILICONE GASKET IS SUPPLIED WITH PART.
3. OUTER SHELL OF PART IS DIECAST.
4. DUST CAP SHOWN ONLY IN ISOMETRIC VIEW.
5. ADAPTRS TO BE PACKAGED IN TRAY.

ENTER DESCRIPTION EC NO: MF2014-0069 DRW: Y8EDNYAK 2013/08/01 CHKD: APPR: JGUMIN 2013/08/12	QUALITY SYMBOLS ▽=0 ▽=0	GENERAL TOLERANCES (UNLESS SPECIFIED)		DIMENSION STYLE IN/MM	SCALE 4:1	DESIGN UNITS INCH	THIRD ANGLE PROJECTION	
		4 PLACES ± --- ± --- 3 PLACES ± --- ± --- 2 PLACES ± --- ± --- 1 PLACE ± --- ± ---	mm INCH	DRAWN BY DATE PGI/BLIN 2005/11/17	TITLE MPO EMI ADAPTER (SNAP MOUNT)			
		ANGULAR ±1/2°		CHECKED BY DATE	MATERIAL NO. 1061141300			
		DRAFT WHERE APPLICABLE MUST REMAIN WITHIN DIMENSIONS		APPROVED BY DATE	DOCUMENT NO. SD-106114-1300		SHEET NO. 1 OF 1	
THIS DRAWING CONTAINS INFORMATION THAT IS PROPRIETARY TO MOLEX INCORPORATED AND SHOULD NOT BE USED WITHOUT WRITTEN PERMISSION			MOLEX INCORPORATED					