

Customer Information Sheet

DRAWING No.: M22-221XX46

SHEET 2 OF 2

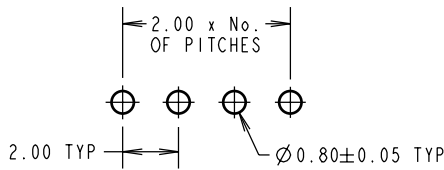
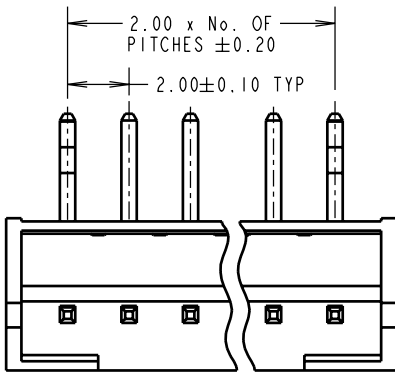
IF IN DOUBT - ASK

(C)

NOT TO SCALE

THIRD ANGLE PROJECTION

ALL DIMENSIONS IN mm



RECOMMENDED PCB LAYOUT

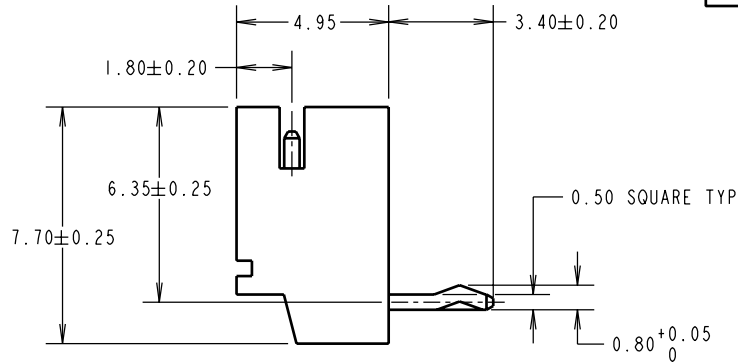
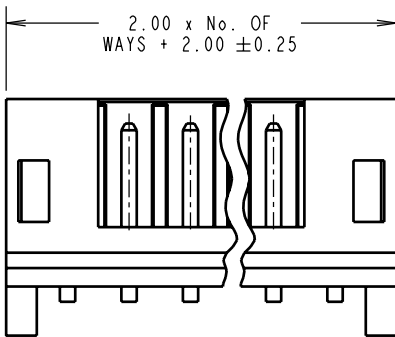
SPECIFICATIONS:

MATERIAL:
 MOULDING = NYLON 6T, UL94V-0
 CONTACTS = BRASS
 FINISH:
 CONTACTS = 100% TIN
 ELECTRICAL:
 CURRENT RATING = 2A
 VOLTAGE RATING = 100V AC/DC
 DIELECTRIC STRENGTH = 800 AC/MINUTE
 INSULATION RESISTANCE = 1,000 MEGOHMS MIN
 ENVIRONMENTAL:
 TEMPERATURE RANGE = -25°C TO +85°C
 FOR COMPLETE SPECIFICATION, SEE COMPONENT SPECIFICATION C018XX (LATEST ISSUE)

ORDER CODE:

M22-221XX46

No. OF WAYS:
 02 TO 15



RA	6	14.09.07	9849
NAME	ISS.	DATE	C/NOTE
APPROVED: R. ADDE			
CHECKED: M.G. PLESTED			
DRAWN: A. FILLINGHAM			
CUSTOMER REF.:			
ASSEMBLY DRG:			



HARWIN USA
 TEL: 603 893 5376
 FAX: 603 893 5396
 mis@harwin.com

HARWIN Europe (UK)
 TEL: 023 9231 4545
 FAX: 023 9231 4590
 mis@harwin.co.uk

HARWIN Asia
 TEL: +65 6 779 4909
 FAX: +65 6 779 3868
 mis@harwin.com.sg

THIS DRAWING AND ANY INFORMATION OR DESCRIPTIVE MATTER SET OUT HEREON ARE CONFIDENTIAL AND COPYRIGHT PROPERTY OF THE HARWIN GROUP AND MUST NOT BE DISCLOSED, LOANED, COPIED OR USED FOR MANUFACTURING, TENDERING OR FOR ANY OTHER PURPOSE WITHOUT THEIR WRITTEN PERMISSION.

TOLERANCES
 X = ± 1 mm
 X.X = ± 0.25 mm
 X.XX = ± 0.10 mm
 X.XXX = ± 0.01 mm
 ANGLES = $\pm 5^\circ$
 UNLESS STATED

MATERIAL:
 SEE ABOVE
 FINISH: SEE ABOVE
 S/AREA: mm²

TITLE:
 2mm HORIZONTAL SHROUDED PIN HEADER

DRAWING NUMBER:
M22-221XX46

SHT
 2 OF 2