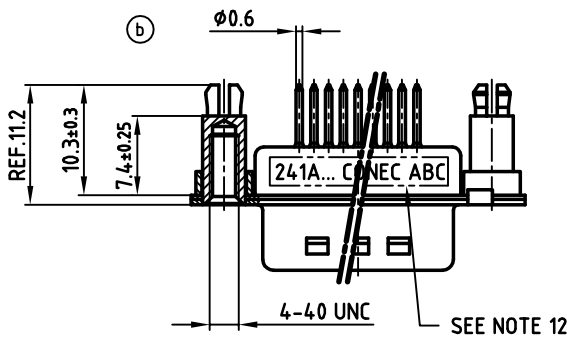
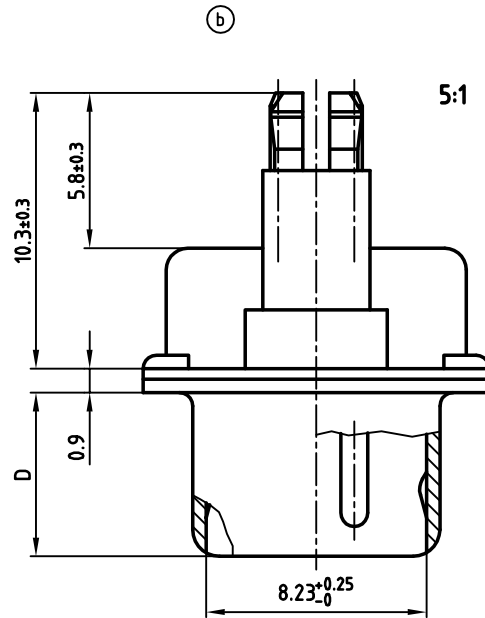
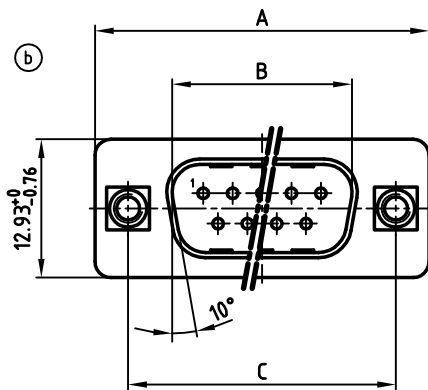


used for: D-SUB FILTER

POS.	A -0.76	B $+0.25$	C	D -0.3	PART NO.
9	31.19	16.79	25.00 $+0.12$ -0.13	6.12	241A15140X
15	39.52	25.12	33.30 $+0.15$ -0.1	6.12	241A15150X
25	53.42	38.84	47.04 ± 0.13	5.99	241A15160X
37	69.70	55.30	63.50 ± 0.13	5.99	241A15170X



NOTES:

1. RoHS COMPLIANT
2. SUITABLE FOR WAVE SOLDERING
3. METALSHELLS: STEEL; min. 315µin TIN over 40-80µin NICKEL
4. INSULATORS: HIGH TEMPERATURE PLASTIC UL 94 V-0, BLACK
5. CONTACTS: COPPER ALLOY
PLATING: 8µin HARD GOLD OVER min. 50µin NICKEL
6. THREADED SPACER CLIP: COPPER ALLOY; min. 200µin TIN over 80µin NICKEL
PCB-HOLE: $\phi 3.1 \pm 0.1$; PCB THICKNESS 1.6mm
7. COLLAR: COPPER ALLOY; min. 200µin TIN over 80µin NICKEL
8. P.C.B. HOLE DRILLINGS ON SHEET 2
9. CAPACITANCE: 1300pF $\pm 20\%$
10. DIELECTRIC WITHSTANDING VOLTAGE: 424 VDC
11. MAXIMUM TORQUE VALUE FOR THREAD: 6in.LB
12. CONNECTOR IS PART MARKED: PART-NO. CONEC ABC

Directive 2002/95/EC
„RoHS“
Compliant

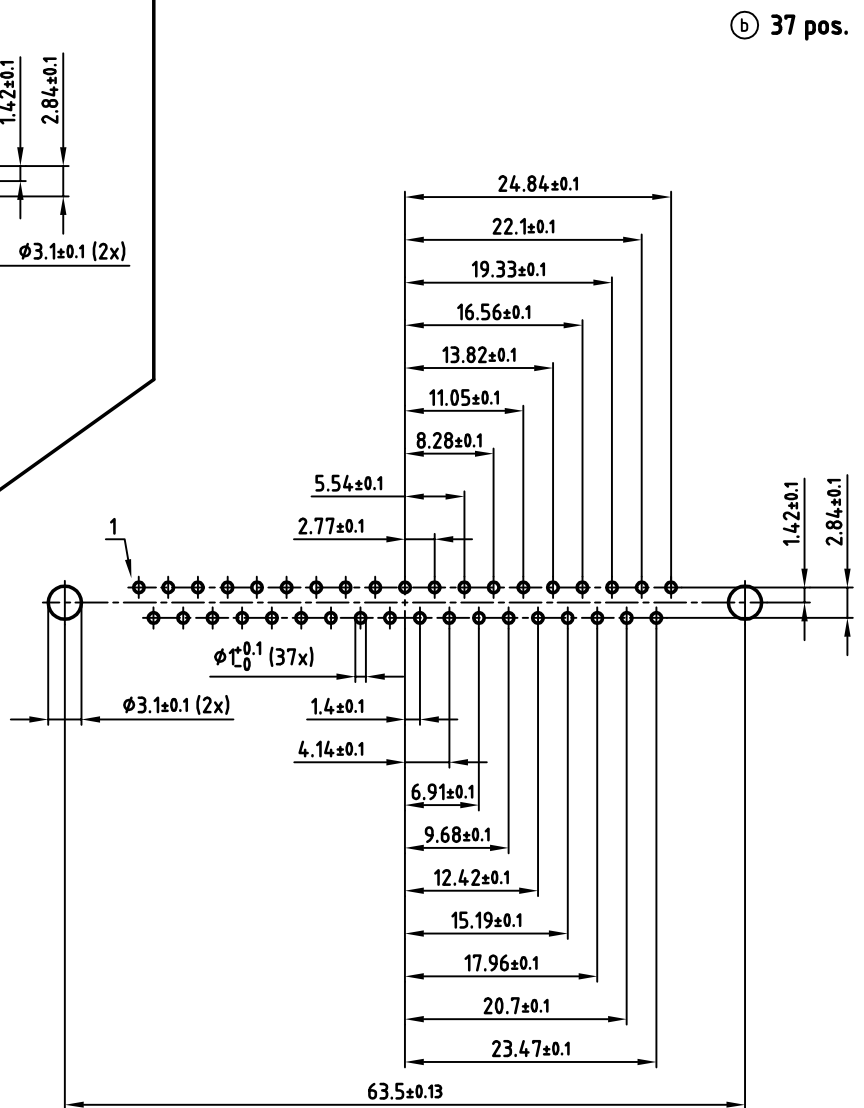
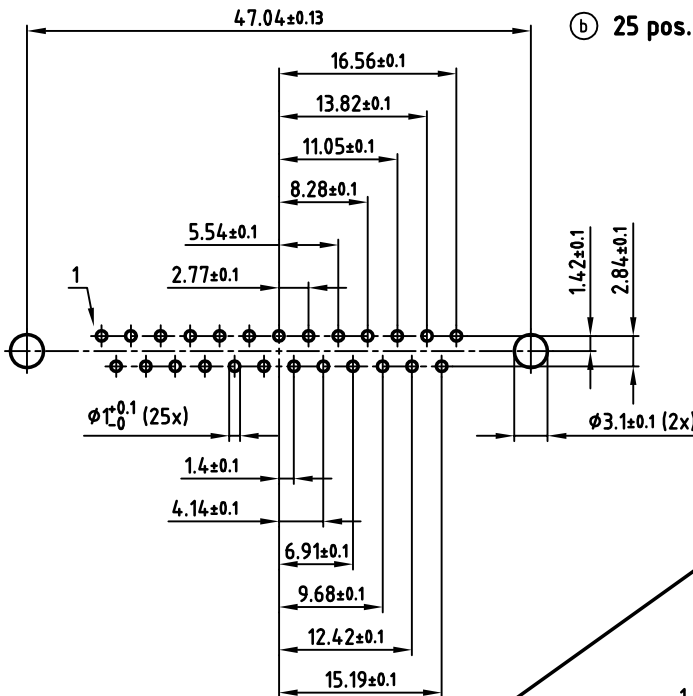
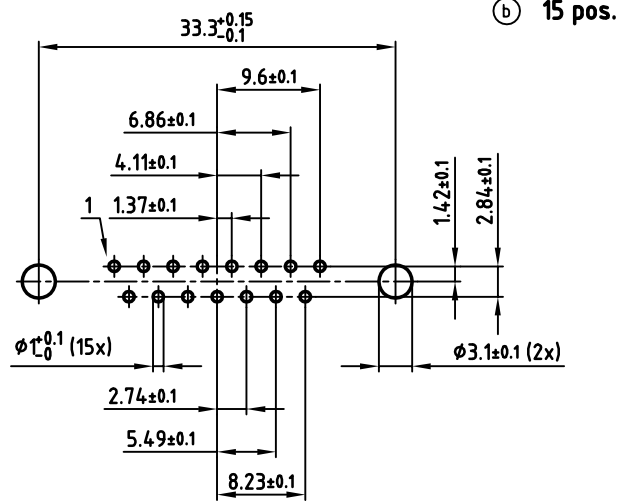
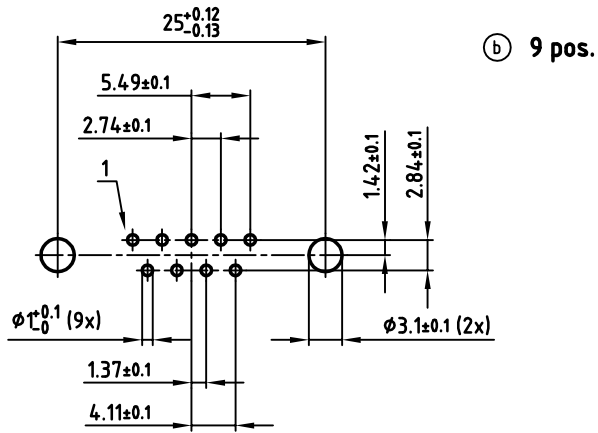
APPROVAL * FREIGABE * DEBLOCAGE * AUTORIZACION * APPROVAL	
CUSTOMER APPROVAL DATE:	
NAME:	TITLE:
COMPANY NAME:	
APPROVAL * FREIGABE * DEBLOCAGE * AUTORIZACION * APPROVAL	

THIS DRAWING MAY NOT BE COPIED OR REPRODUCED IN ANY WAY, AND MAY NOT BE PASSED ON TO A THIRD PARTY WITHOUT WRITTEN PERMISSION.			
OWNERSHIP AND COPYRIGHT OF CONEC GmbH			
DO NOT ALTER CAD DRAWING BY HAND			
1 x c	Ä 3200	27.11.08	Petker
4 x b	Ä 3194	24.11.08	Petker
a	Origin		
rev.	description	date	name

tolerance		dim. in mm
1998	date	
drawn	08.05.	name
appd.	08.05.	Mickenbecker
norm		DIN 41652
d-old		

scale: 2:1 (5:1)	
material: SEE NOTES	
title:	
D-SUB FILTER MALE P-TYP	
9-37pos. PIN 5.8mm	
WITH THREADED SPACER CLIP	
dwg no:	AutoCAD 2000
24K11Y9A	
part no:	SEE TABLE

DIN-A
3
sh:1/2



APPROVAL * FREIGABE * DEBLOCAGE * AUTORIZACION * APPROVAL

CUSTOMER APPROVAL DATE:

NAME: TITLE:

COMPANY NAME:

APPROVAL * FREIGABE * DEBLOCAGE * AUTORIZACION * APPROVAL

THIS DRAWING MAY NOT BE COPIED OR REPRODUCED IN ANY WAY, AND MAY NOT BE PASSED ON TO A THIRD PARTY WITHOUT WRITTEN PERMISSION.

OWNERSHIP AND COPYRIGHT OF CONEC GmbH

DO NOT ALTER CAD DRAWING BY HAND

4 x b	Ä 3194	24.11.2008	Petker
a	Origin		
rev.	description	date	name

tolerance		dim. in mm	
1998	date	name	
drawn	08.05.	Barcinski	
appd.	08.05.	Mickenbecker	
norm	DIN 41652		
d-old			

scale: 2:1

material: SEE SHEET 1

title: P.C.B. HOLE DRILLINGS
D-SUB FILTER MALE P-TYP 9-37pos. PIN 5.8mm
WITH THREADED SPACER CLIP

dwg no: AutoCAD 2006 DIN-A
3 sh:2/2

part no: SEE SHEET 1