

6

5

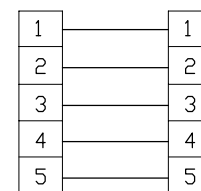
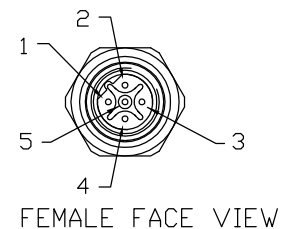
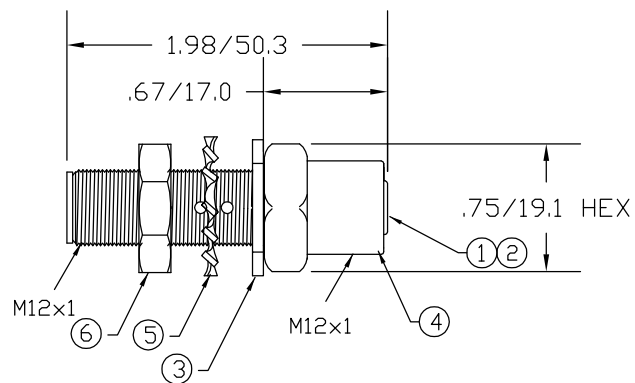
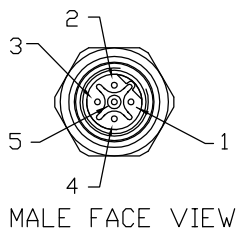
4

3

2

1

MATERIAL NUMBER	OLD PART NUMBER
120099-0001	BR5L30



WIRING DIAGRAM

VOLTAGE RATING	250 VAC/VDC
AMPERAGE RATING	4 AMPS
PROTECTION	IP67
OPERATING TEMPERATURE	-20°C TO 80°C

ITEM	COMPONENT	MATERIAL	FINISH
1	INSERT	NYLON	BLACK
2	CONTACT	COPPER ALLOY	GOLD OVER NICKEL
3	GASKET	NITRILE	BLACK
4	RECEPTACLE SHELL	BRASS	NICKEL PLATED
5	LOCKWASHER	STEEL	ZINC PLATED
6	LOCKNUT	BRASS	NICKEL PLATED

RLSD DRAWING	EC NO: WNA2010-0139	8/27/09
DRWN: BWOODMAN	CHKD: JM	APPR: JFMURPHY
2009/08/31		
A		

QUALITY SYMBOLS
$\nabla=0$
$\sphericalangle=0$

GENERAL TOLERANCES (UNLESS SPECIFIED)		
	mm	INCH
4 PLACES	±---	±---
3 PLACES	±---	±---
2 PLACES	±---	±.01
1 PLACE	±0.3	±---
ANGULAR ±---°		
DRAFT WHERE APPLICABLE MUST REMAIN WITHIN DIMENSIONS		

DIMENSION STYLE	
IN/MM	SCALE
DRAWN BY DATE	---
BW 2009/08/27	
CHECKED BY DATE	---
LH 2009/08/27	
APPROVED BY DATE	---
JFMURPHY 2009/08/28	
MATERIAL NO.	---
SEE CHART	
SIZE	---
A	

SCALE	DESIGN UNITS	THIRD ANGLE PROJECTION
---	---	THIRD ANGLE PROJECTION
TITLE		
MICRO-CHANGE BULKHEAD 5P FEMALE/MALE PROFIBUS M16 MOUNTING THREADS		
molex MOLEX INCORPORATED		
DOCUMENT NO.	SD-120099-003	SHEET NO.
		1 OF 1
THIS DRAWING CONTAINS INFORMATION THAT IS PROPRIETARY TO MOLEX INCORPORATED AND SHOULD NOT BE USED WITHOUT WRITTEN PERMISSION		

6

5

4

3

2

1