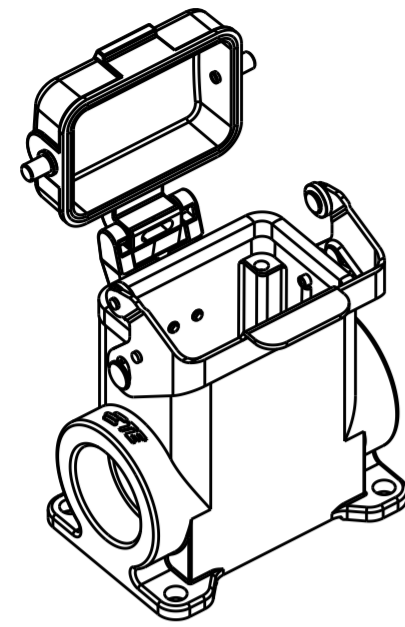
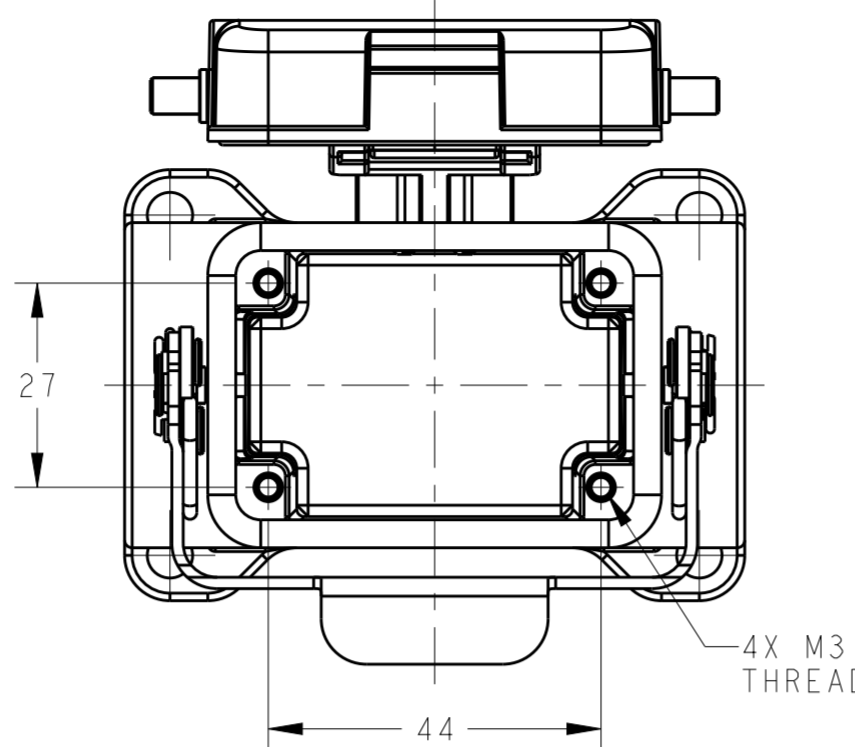


THIS DRAWING IS UNPUBLISHED. RELEASED FOR PUBLICATION 20
 © COPYRIGHT 20 BY - ALL RIGHTS RESERVED.

REVISIONS				
P	LTR	DESCRIPTION	DATE	APVD
	A	INITIAL	23JUN2015	DW CW

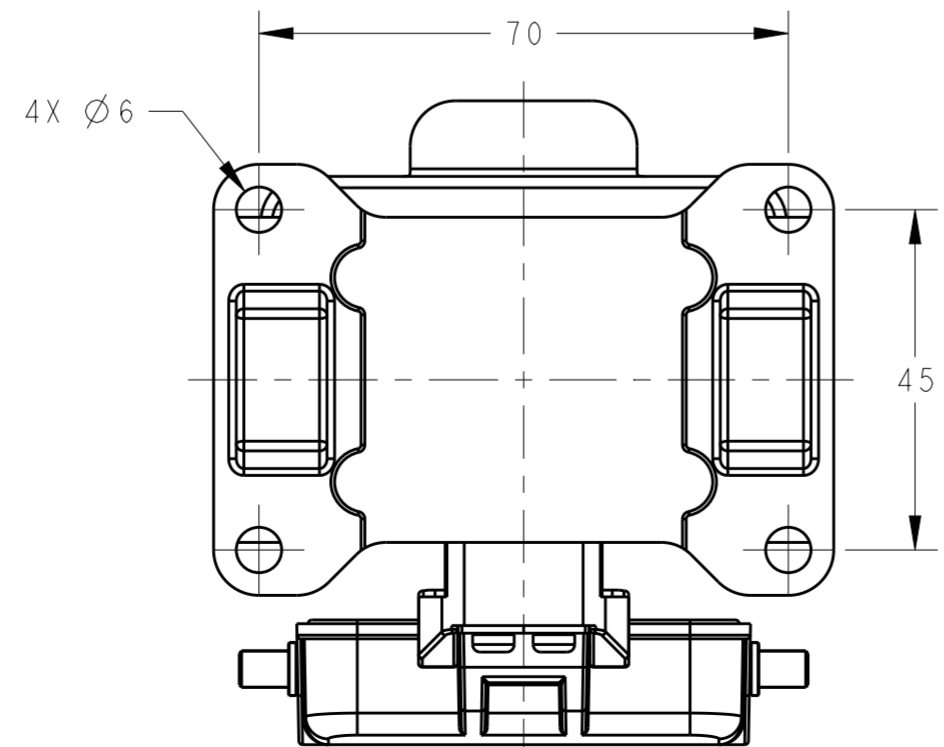
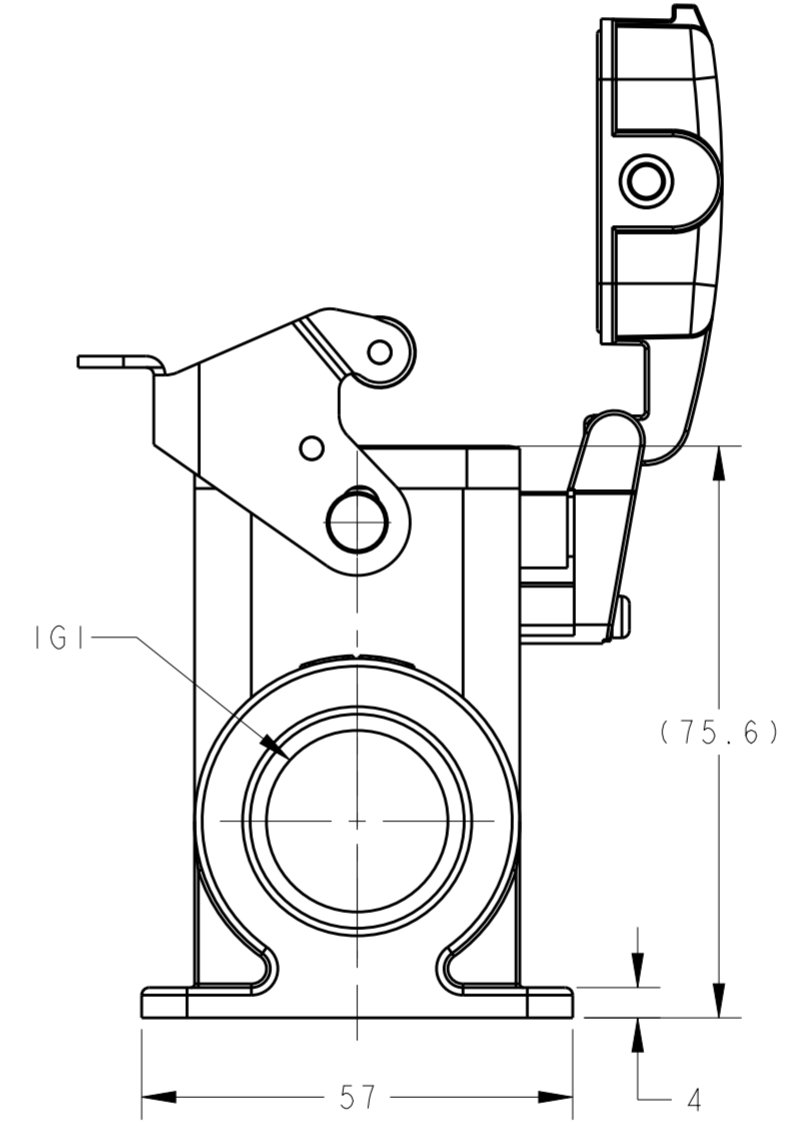
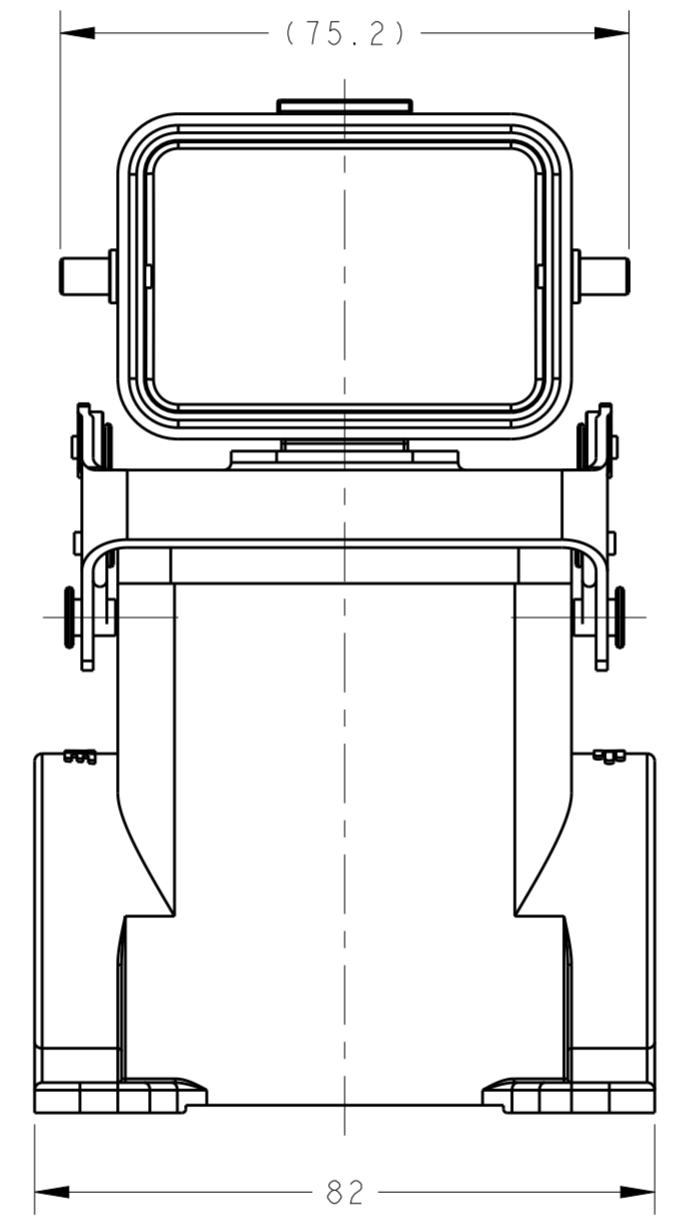
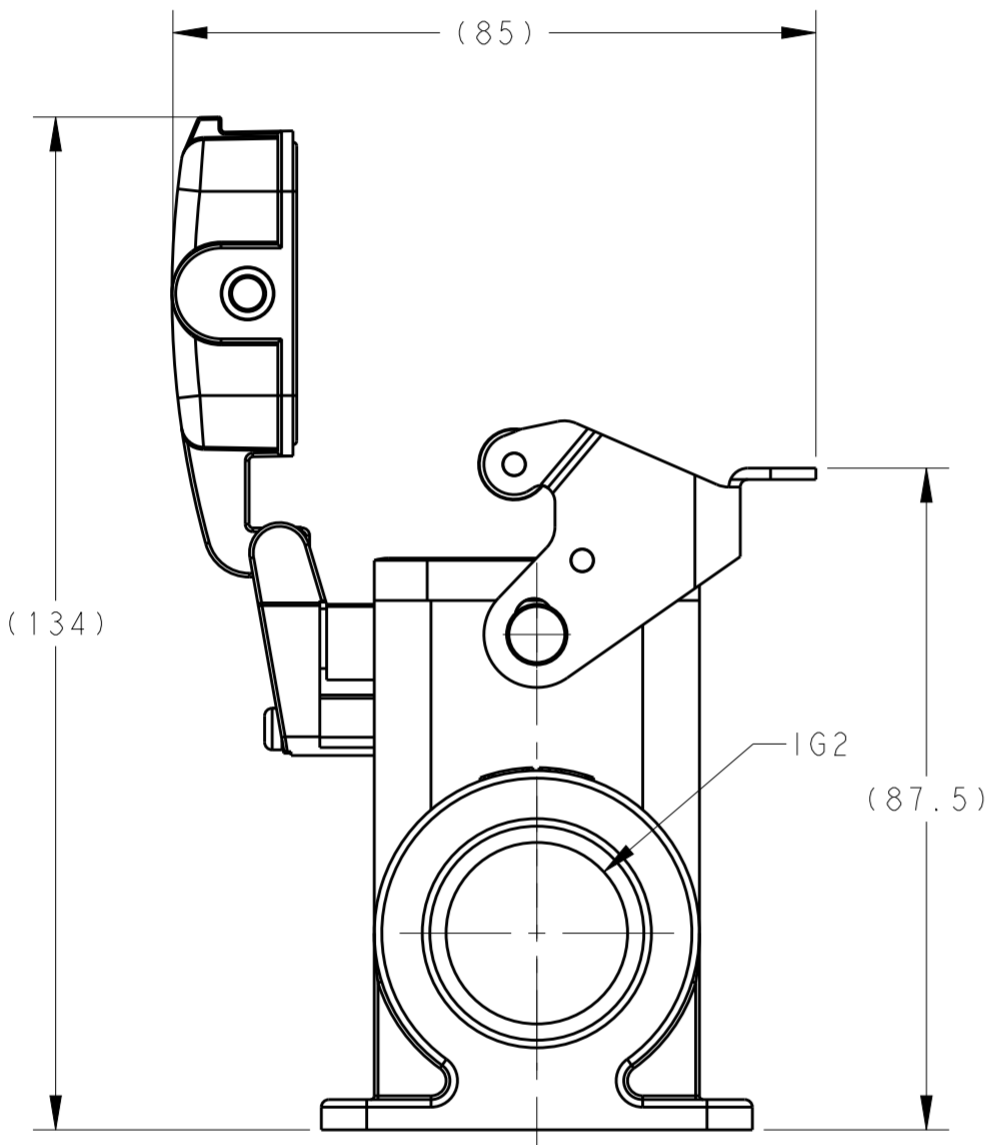


SCALE 1:2



NOTES:
 1. TECHNICAL CHARACTERISTICS:
 HOUSING MATERIAL: DIE CAST ALUMINIUM ALLOY
 SURFACE: POWDER COATED, GREY
 OPERATION TEMPERATURE: -40-+125°C
 DEGREE OF PROTECTION: IP65 (MATED)

注释:
 1. 技术参数:
 表面安装下壳材料: 铝合金
 表面处理: 粉末涂层, 灰色
 工作温度: -40-+125°C
 防护等级: IP65(配合)



PART NUMBER	DESCRIPTION	IG1	IG2
T1660062321-000	H6B-SDRHMS-PG21	PG21	-
T1660062329-000	H6B-SDRHMS-PG29	PG29	-
T1660062332-000	H6B-SDRHMS-M32	M32	-
T1660062421-000	H6B-SDRHMS-2PG21	PG21	PG21
T1660062429-000	H6B-SDRHMS-2PG29	PG29	PG29
T1660062432-000	H6B-SDRHMS-2M32	M32	M32

THIS DRAWING IS A CONTROLLED DOCUMENT.		DWN 23JUN2015 David Wang	TE Connectivity	
DIMENSIONS: mm		CHK 23JUN2015 Chris Wang		
TOLERANCES UNLESS OTHERWISE SPECIFIED:		APVD 23JUN2015 Xiang Xu	NAME H6B-SDRHMS-M/PG	
0 PLC ±		PRODUCT SPEC 108-137013	SIZE CAGE CODE DRAWING NO RESTRICTED TO	
1 PLC ±		APPLICATION SPEC 114-137013	A200779 C-T1660062XXX000	
2 PLC ±		WEIGHT -	SCALE 1:1 SHEET 1 OF 1 REV A	
3 PLC ±		Customer Drawing		
4 PLC ±				
ANGLES ±				
FINISH -				
-				