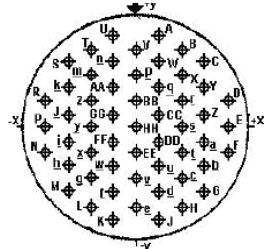




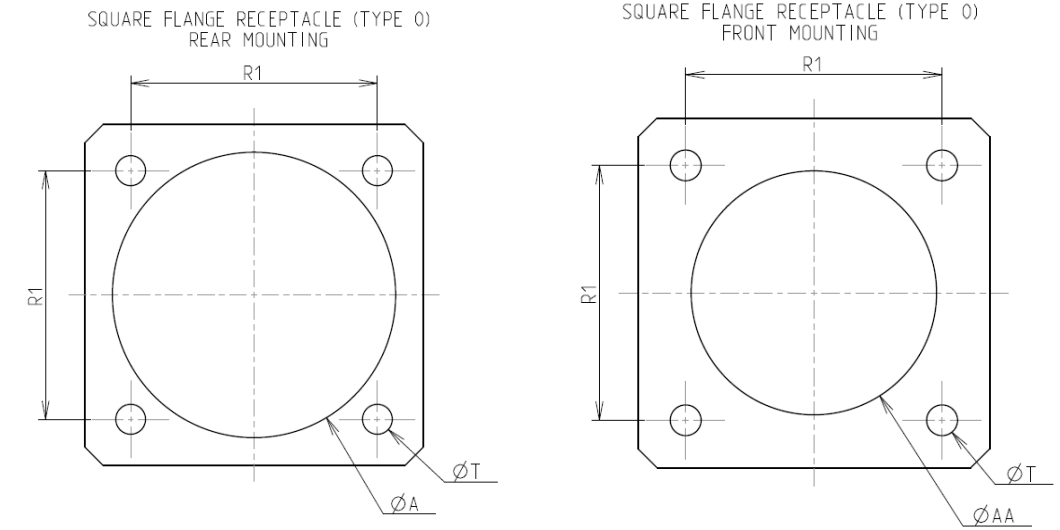
Contact Layout



| Contacts<br>(Insert arrangement 23-55) |              |              |                     |             |             |
|--|--------------|--------------|---------------------|-------------|-------------|
| Contact position ID                    | Location     |              | Contact position ID | Location    |             |
|  | X-axis (mm)  | Y-axis (mm)  |                     | X-axis (mm) | Y-axis (mm) |
| A                                      | +112 (2.84)  | +455 (11.56) | f                   | -112 (2.84) | -325 (8.26) |
| B                                      | +225 (5.72)  | +390 (9.91)  | g                   | -225 (5.72) | -260 (6.60) |
| C                                      | +336 (8.53)  | +325 (8.26)  | h                   | -336 (8.53) | -195 (4.95) |
| D                                      | +450 (11.43) | +130 (3.30)  | i                   | -336 (8.53) | -065 (1.65) |
| E                                      | +450 (11.43) | +000 (0.00)  | j                   | -336 (8.53) | +065 (1.65) |
| F                                      | +450 (11.43) | -130 (3.30)  | k                   | -336 (8.53) | +195 (4.95) |
| G                                      | +336 (8.53)  | -325 (8.26)  | m                   | -225 (5.72) | +260 (6.60) |
| H                                      | +225 (5.72)  | -390 (9.91)  | n                   | -112 (2.84) | +325 (8.26) |
| J                                      | +112 (2.84)  | -455 (11.56) | p                   | +000 (0.00) | +260 (6.60) |
| K                                      | -112 (2.84)  | -455 (11.56) | q                   | +112 (2.84) | +195 (4.95) |
| L                                      | -225 (5.72)  | -390 (9.91)  | r                   | +225 (5.72) | +130 (3.30) |
| M                                      | -336 (8.53)  | -325 (8.26)  | s                   | +225 (5.72) | +000 (0.00) |
| N                                      | -450 (11.43) | -130 (3.30)  | t                   | +225 (5.72) | -130 (3.30) |
| P                                      | -450 (11.43) | +000 (0.00)  | u                   | +112 (2.84) | -195 (4.95) |
| R                                      | -450 (11.43) | +130 (3.30)  | v                   | +000 (0.00) | -260 (6.60) |
| S                                      | -336 (8.53)  | +325 (8.26)  | w                   | -112 (2.84) | -195 (4.95) |
| T                                      | -225 (5.72)  | +390 (9.91)  | x                   | -225 (5.72) | -130 (3.30) |
| U                                      | -112 (2.84)  | +455 (11.56) | y                   | -225 (5.72) | +000 (0.00) |
| V                                      | +000 (0.00)  | +390 (9.91)  | z                   | -225 (5.72) | +130 (3.30) |
| W                                      | +112 (2.84)  | +325 (8.26)  | AA                  | -112 (2.84) | +195 (4.95) |
| X                                      | +225 (5.72)  | +260 (6.60)  | BB                  | +000 (0.00) | +130 (3.30) |
| Y                                      | +336 (8.53)  | +195 (4.95)  | CC                  | +112 (2.84) | +065 (1.65) |
| Z                                      | +336 (8.53)  | +065 (1.65)  | DD                  | +112 (2.84) | -065 (1.65) |
| a                                      | +336 (8.53)  | -065 (1.65)  | EE                  | +000 (0.00) | -130 (3.30) |
| b                                      | +336 (8.53)  | -195 (4.95)  | FF                  | -112 (2.84) | -065 (1.65) |
| c                                      | +225 (5.72)  | -260 (6.60)  | GG                  | -112 (2.84) | +065 (1.65) |
| d                                      | +112 (2.84)  | -325 (8.26)  | HH                  | +000 (0.00) | +000 (0.00) |
| e                                      | +000 (0.00)  | -390 (9.91)  | ---                 | ---         | ---         |

| Shell size | Arrangement no. | Number of contacts | Size contacts | Service rating | Contact location | Supersedes |
|------------|-----------------|--------------------|---------------|----------------|------------------|------------|
| 23         | 55              | 55                 | 20            | I              | All              | ---        |

Panel Cutout



| Dim | Nominal    |
|-----|------------|
| ØA  | 39.29 min  |
| ØAA | 34.93 min  |
| R1  | 34.93      |
| ØT  | 3.91 ±0.13 |

SOURIAU shall not be liable for any non-conformity or damage due to a use of the Products which does not comply with the Specifications issued by either of the Parties or by a third party (professional recommendation, technical notice.)

| Country | Jurisdiction & Control List |
|---------|-----------------------------|
| FR      | Not Listed                  |

PN: 8D023F55BA

|                |                                    |                            |   |
|----------------|------------------------------------|----------------------------|---|
| A              | 22-09-2016                         | First Release              |   |
| ISS            | DATE                               | Latest modification - by   | MOD N°  |
| Designed By:   |                                    | Date:                      | <b>CUSTOMER DRAWING</b>   |
| <b>TITLE</b>   | Aluminium Receptacle 8D series     |                            |   |
| SCALE          |                                    | General linear Tolerances: | NPRDS / PROJECT   |
| NA             |                                    | ±--                        | <b>859</b>  |
| <b>SOURIAU</b> | <b>WWW.SOURIAU.COM</b>             |                            | This document is the property of SOURIAU it must not be reproduced or communicated without permission |
| FORMAT         | <b>SOURIAU DRG N° 8D023F55BA-C</b> |                            | SHEET 2/2   |