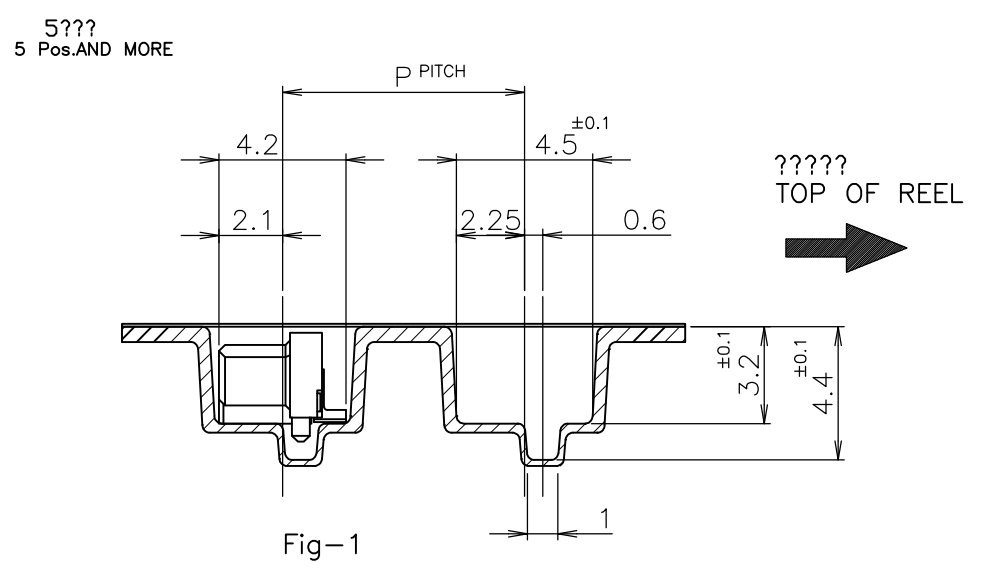
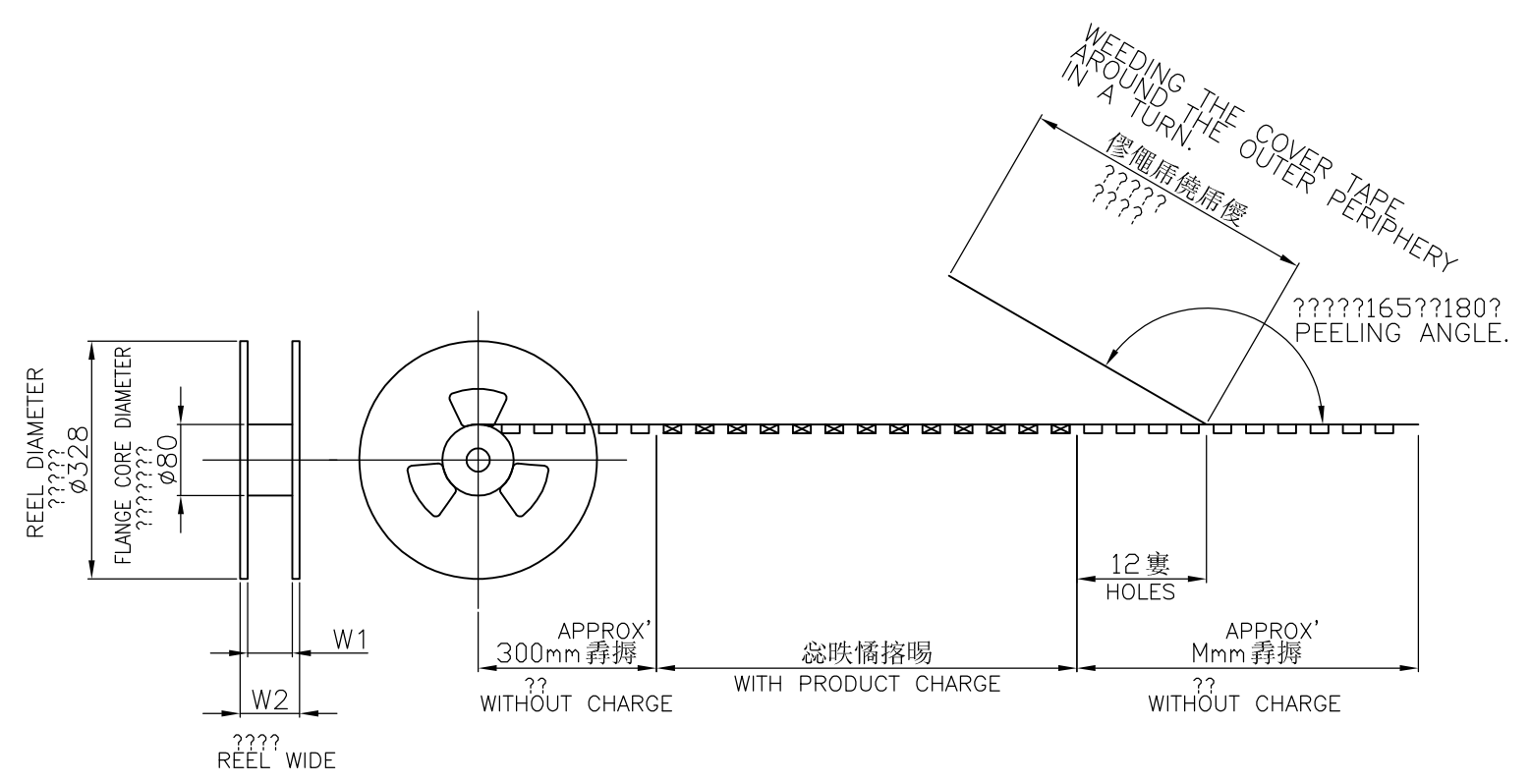
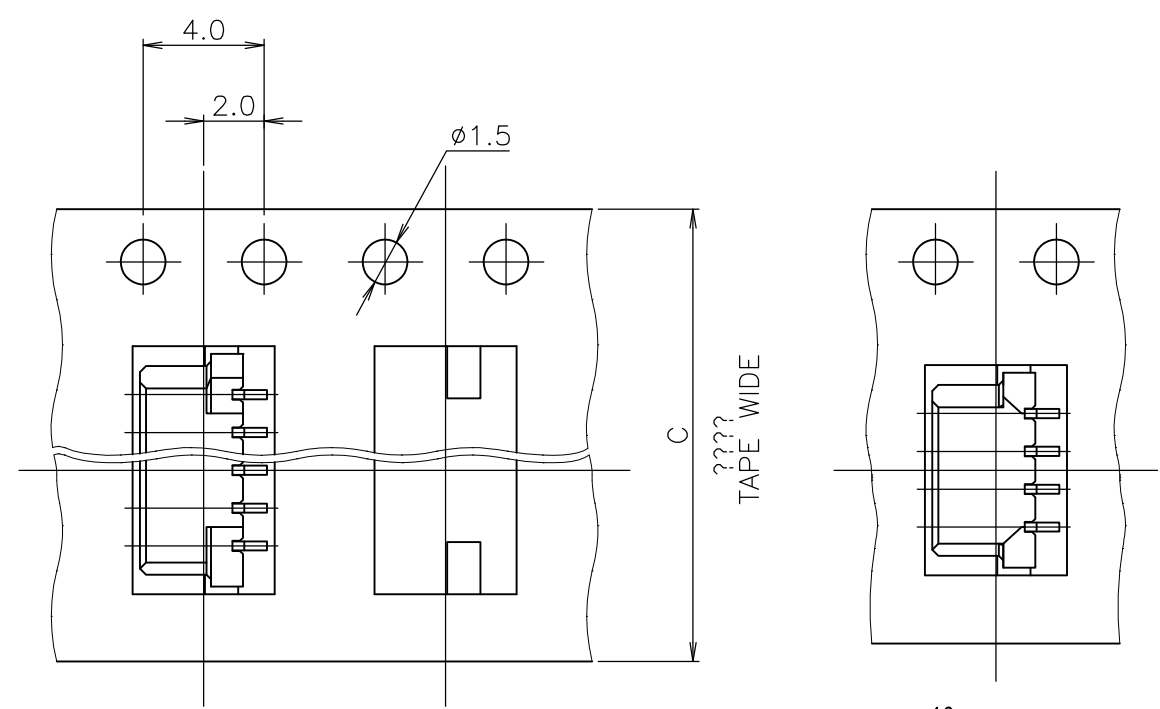


THIS DRAWING IS UNPUBLISHED. RELEASED FOR PUBLICATION
 © COPYRIGHT By - ALL RIGHTS RESERVED.

LOC	DIST	REVISIONS			
P	LTR	DESCRIPTION	DATE	DWN	APVD
J		F1	RE-ACTIVE 3-* -6 AND 4-* -0	05JUN2015	I.T W.H



RE-ACTIVE	29	26	600	12	24	1000	10	5-	-4	4-	-0	4-	-0
OBSOLETE	29	26	600	12	24	1000	8		-6	3-	-8	3-	-8
RE-ACTIVE							7	2-	-1	3-	-7	3-	-7
OBSOLETE							6	2-	-0	3-	-6	3-	-6
							5	1-720999-8		3-	-5	3-	-5
	21	18	300	8	16	1500	4	6-912053-4		3-174638-4		3-175637-4	
	W ₂	W ₁	M	P	C	QTY/REEL	Pos.	EMBOSS TAPE P/N		CONNECTOR P/N		TAPING P/N	

NOTES:
 PACKING SPEC : 107-5123-1

THIS DRAWING IS A CONTROLLED DOCUMENT.

DWN: J.TANIGAWA 28MAY88
 CHK: S.KIKUCHI 30MAY88
 APVD: N.ONOUE 30MAY88

STE TE Connectivity

NAME: ON TAPING (EMBOSS)1.25 F-P CONNECTOR (B-TO-B)
 SINGLE ROW REC HDR ASS'Y (H)
 SMT TYPE WITH BOSS

SIZE: A3 CAGE CODE: 00779 DRAWING NO: C-175637 RESTRICTED TO: -

MATERIAL: FINISH: WEIGHT: CUSTOMER DRAWING SCALE: NON SHEET: 1 OF 1 REV: F1