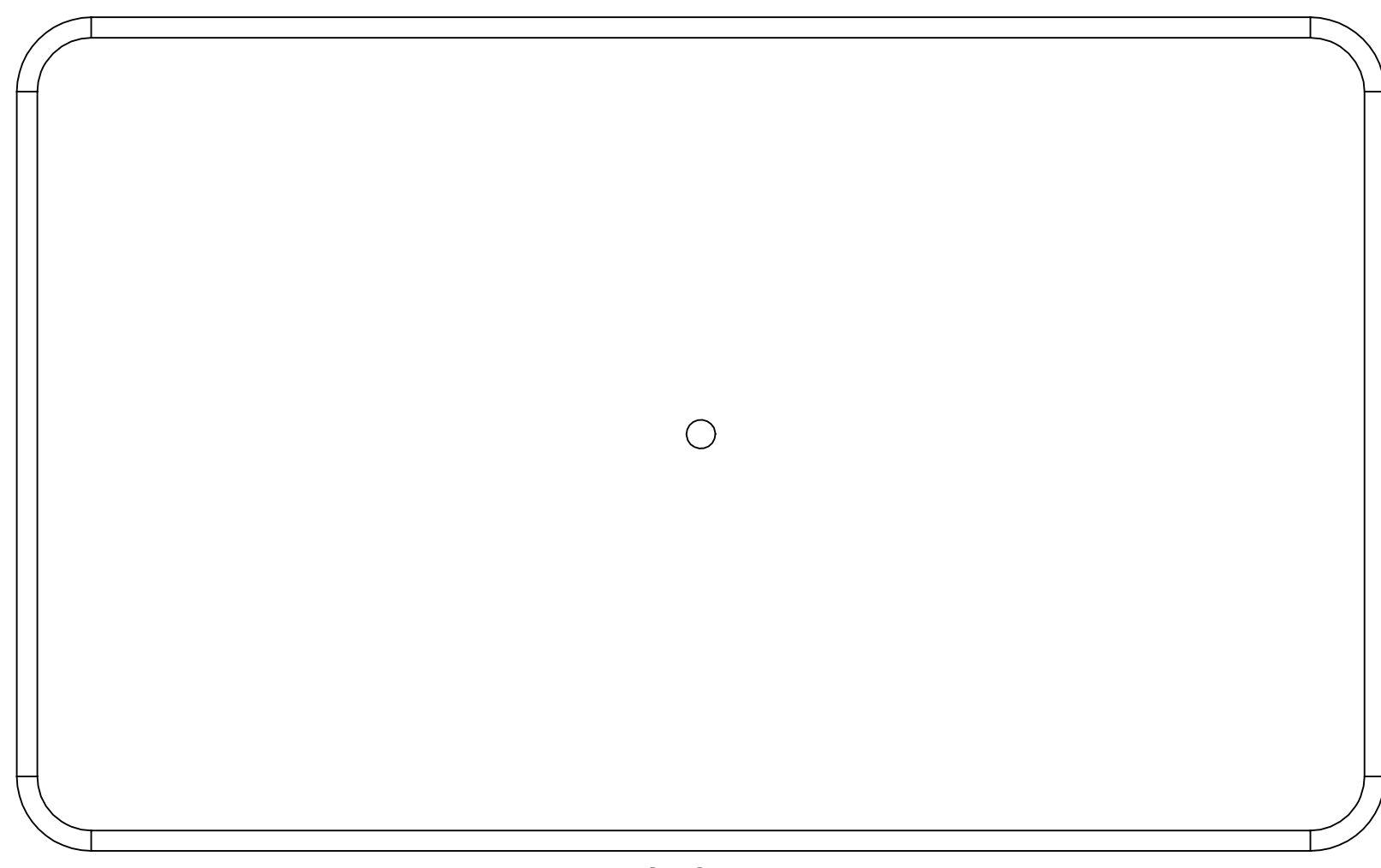
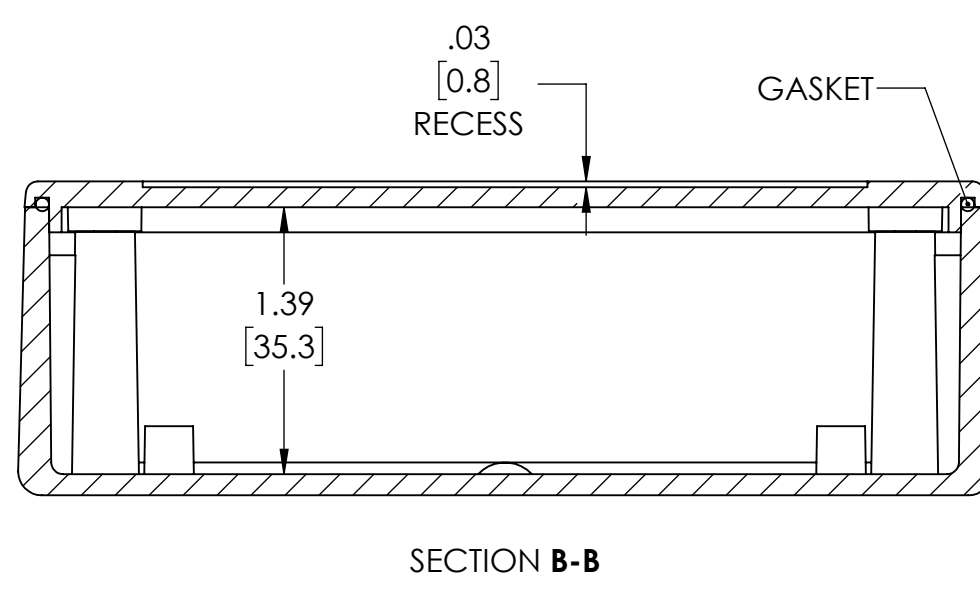
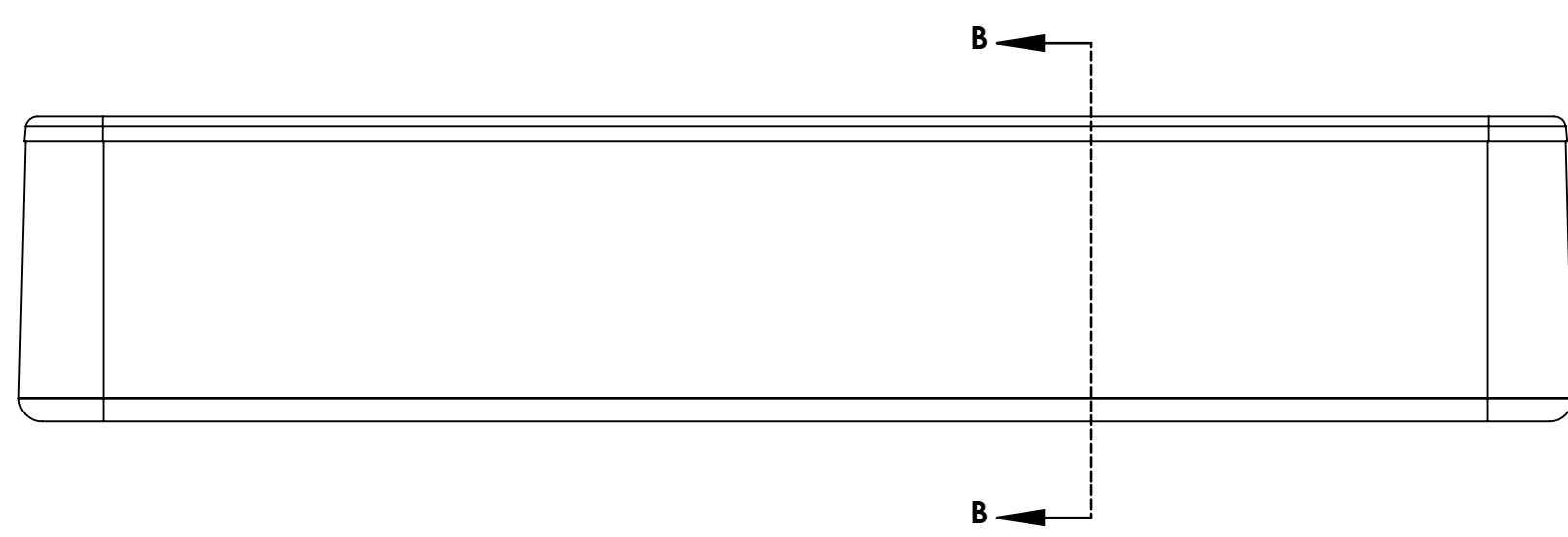
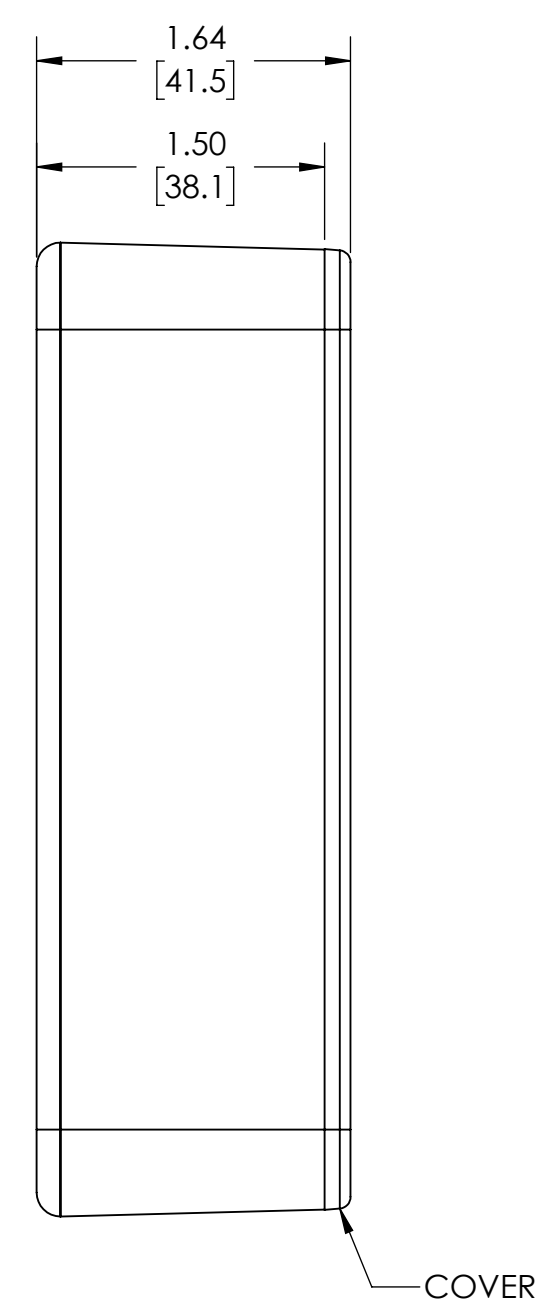
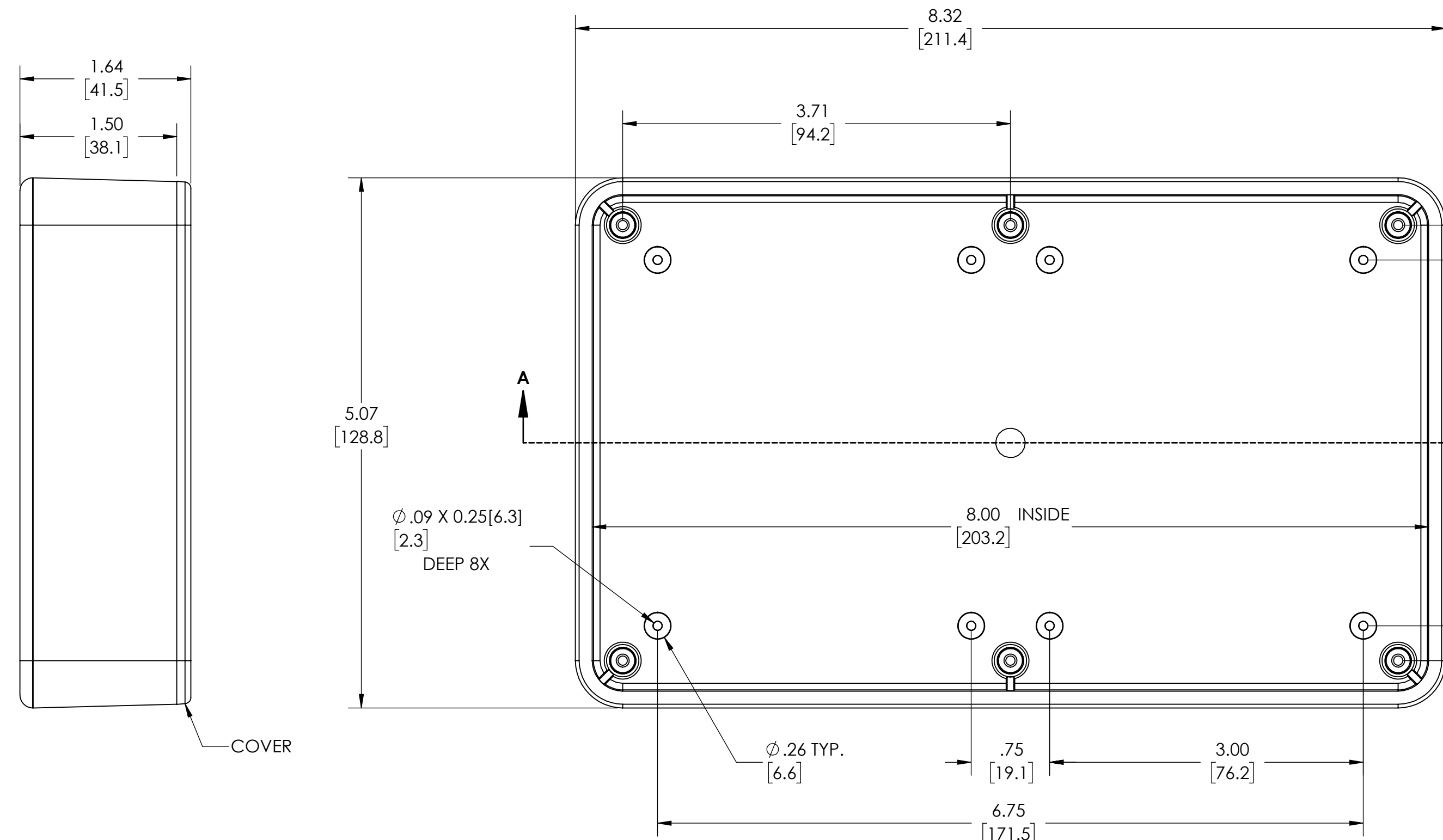
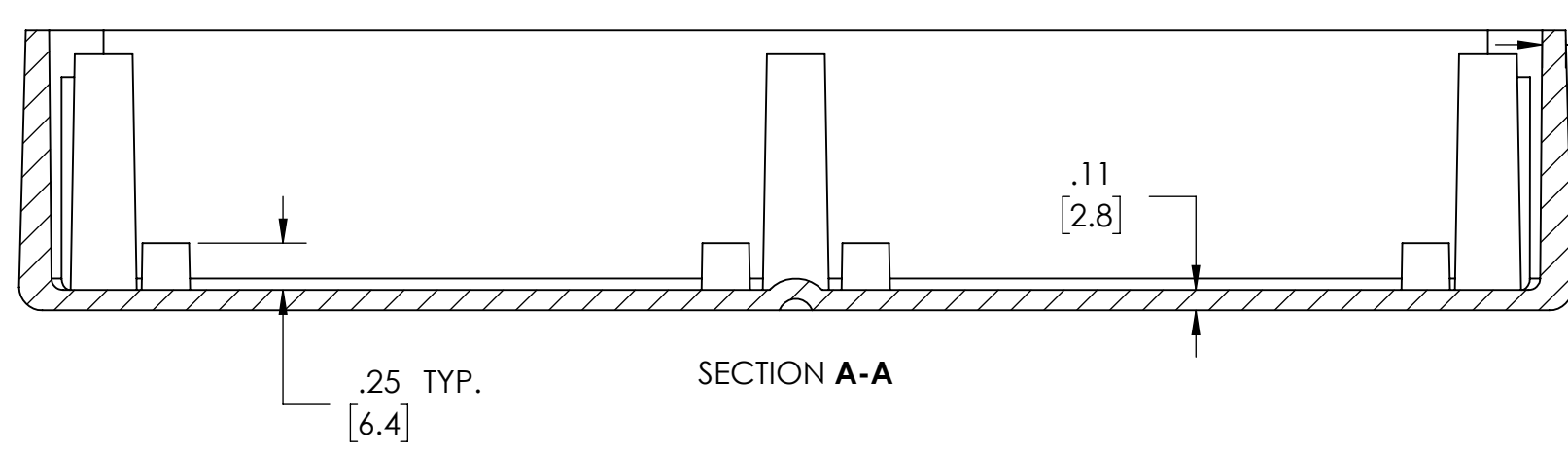


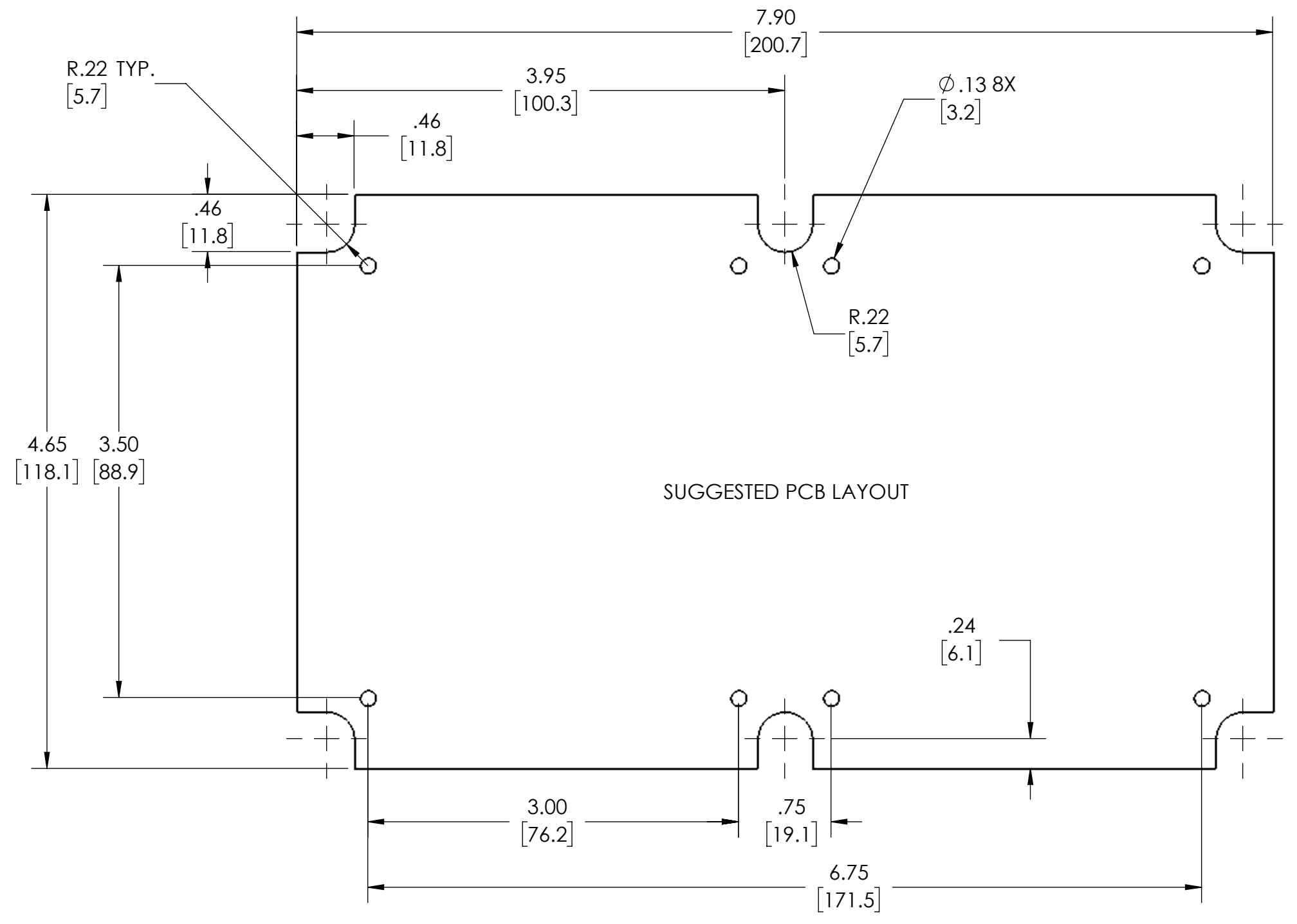
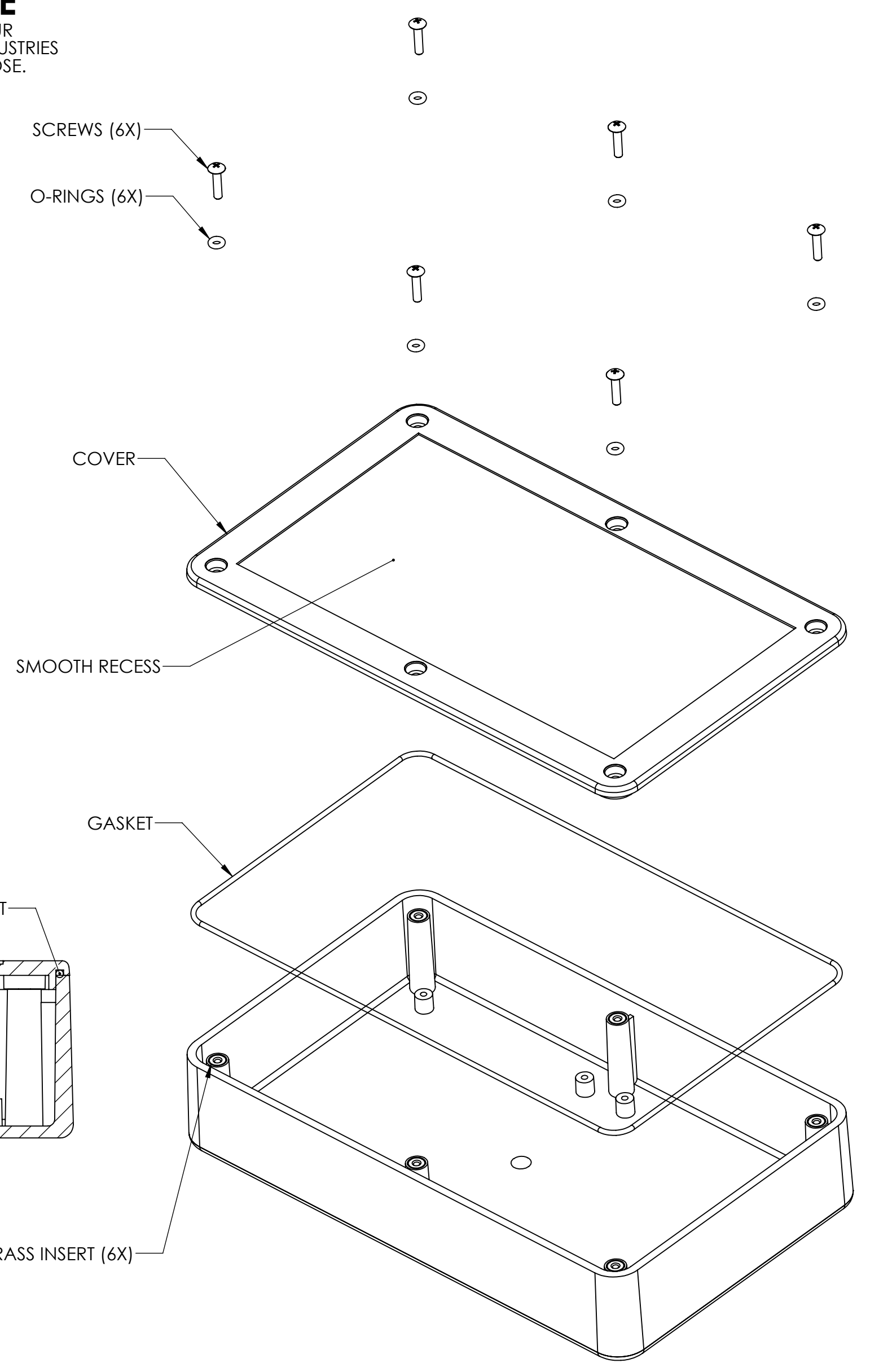
DRAWING FOR REFERENCE
 WE RESERVE THE RIGHT TO MAKE CHANGES TO OUR
 STANDARD PRODUCTS. PLEASE CONSULT WITH BUD INDUSTRIES
 PRIOR TO USING THIS DRAWING FOR DESIGN PURPOSE.



BOTTOM VIEW



SECTION A-A



SUGGESTED PCB LAYOUT

NOTES:
 1- MATERIAL: BASE - BLACK ABS UL94-5VA
 SMOOTH RECESSED COVER - BLACK ABS UL94V-0
 2- DIMENSIONS ARE INCH [MM]