

PART NUMBER	REV	FEED TYPE	DESCRIPTION	PROGRAMMED MEMORY CHIP
2150145-1	A	MECHANICAL	FINE CRIMP HEIGHT ADJUST	-
2150145-2	A	PNEUMATIC	FINE CRIMP HEIGHT ADJUST	-
2150145-5	A	SERVO	FINE CRIMP HEIGHT ADJUST	8-2150145-5
2150145-6	A	SERVO	NON-CRIMP HEIGHT ADJUST	8-2150145-6
2150145-7	A	NONE	FINE CRIMP HEIGHT ADJUST	-
7-2150145-7	A	-	SPARE PARTS KIT	-

SUPERSEDED BY 2150238-1
 SUPERSEDED BY 2150238-2
 SUPERSEDED BY 2150238-5
 SUPERSEDED BY 2150238-6
 SUPERSEDED BY 2150238-7

APPLICATOR DATA		
CRIMP	SIZE	TYPE
WIRE	2.79 (.110 in)	F
INSUL	4.57 (.180 in)	F
APPL INSTRUCTIONS 408-10390		

TERMINAL DATA: TE TERMINAL		TE CRIMP SPEC
TERMINAL NAME: RECEPTACLE, FASTIN-FASTON .250 SERIES		
WIRE STRIP LENGTH	INSULATION DIAMETER RANGE	
5.40-5.70mm (.213-.223 in)	∅ 2.54-4.31mm (.100-.170 in)	
TERMINAL APPL SPEC	114-2025	

TERMINALS APPLIED			
42100-1	2-42100-1	140808-3	150603-2
42100-2	2-42100-2	1-140808-1	150604-2
42100-3	140808-1	1-140808-2	152314-1
42100-9	140808-2	150603-1	

WIRE SIZE	CRIMP HEIGHT mm [INCH]	FINE ADJUST REF SETTING
14AWG or 2.5mm ²	1.60±.05 [.063±.002]	3.1
2mm ²	1.57±.05 [.062±.002]	3.6
1.5mm ²	1.42±.05 [.056±.002]	5.1
16AWG or 1mm ²	1.37±.05 [.054±.002]	5.7
18AWG or 0.75mm ²	1.22±.05 [.048±.002]	7.3

- 1 RECOMMENDED SPARE PARTS
- 2 GREASE BEARING SURFACES LIGHTLY
- 3. LUBRICATE DAILY PER THE APPLICATOR INSTRUCTION SHEET SUPPLIED WITH THE APPLICATOR.
- 4 APPLICATOR SPECIFIC DATA TO BE ENTERED INTO BLANK MEMORY CHIP AT ASSEMBLY.
- 5. ADJUSTMENT OF THE STRIPPER MAY BE REQUIRED WHEN MOVING THE APPLICATOR BETWEEN BENCH AND LEADMAKER APPLICATIONS.
- 6. FOR THE PACIFIC VERSION OF THIS APPLICATOR, SEE LOG 2150145-9
- 7 GREASE THREADS, GROOVE AND O-RING ON ITEMS 35 & 252.
- 8 MAGNET MUST BE ORIENTED CORRECTLY IN ORDER TO PROPERLY ACTUATE THE COUNTER.
- 9 APPLY P/N 1-23419-5 LOCTITE TO THREADS.

PART REQUIRED FOR FEED CONVERSIONS		
FEED TYPE TO CONVERT TO	RETROFIT KIT	ADDITIONAL PARTS REQ'D
MECHANICAL	2119949-1	56
PNEUMATIC	2119950-1	56
SERVO	2119951-1	135 AND 240

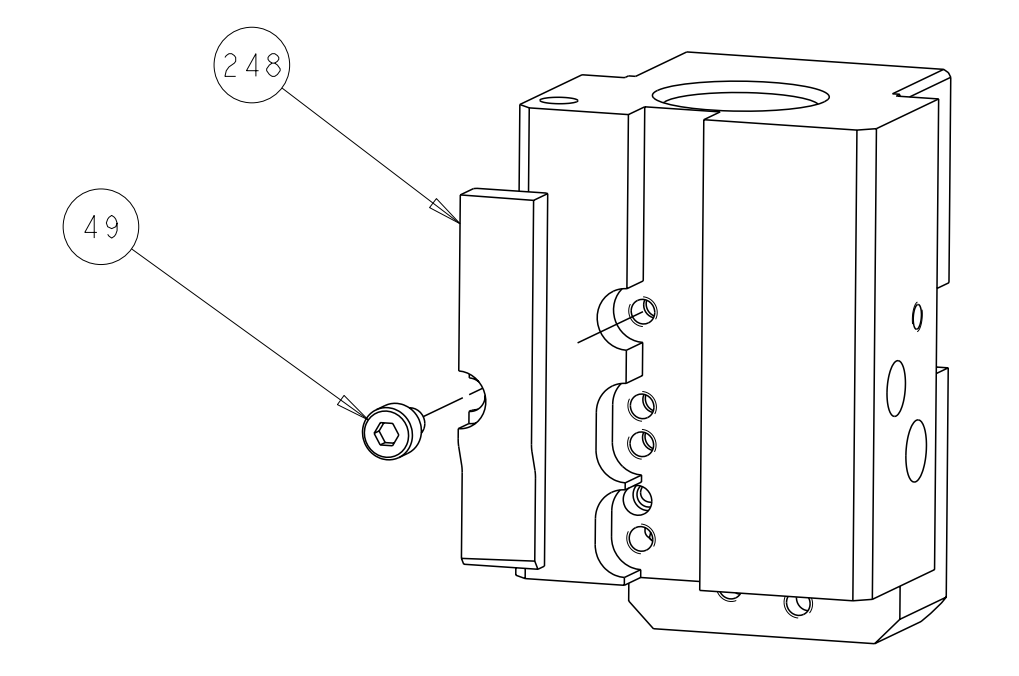
-	1	-	1	1	1	8-21084-0	O-RING, .676 ID, .070 DIA. MAT.	252
-	-	-	-	1	-	2079988-1	BUSHING, LCH5-12, MISUMI	250
-	-	-	-	1	-	2119640-1	PUSH ROD, AIR FEED	249
-	-	-	-	1	-	2119641-1	FEED CAM, AIR FEED	248
-77	-7	-6	-5	-2	-1	PART NO	DESCRIPTION	ITEM NO

SERVO FEED FINGER 1901697-1		SET UP GAUGE 2119599-2	LOC	DIST	REVISIONS			
P	LTB	DESCRIPTION	DATE	OWN	APVD			
1		ORIGINAL	17MAR2011	GH	GB			
A		RELEASED	10JUN2011	LG	TE			
A1		ECR-11-023852	06DEC2011	BW	GB			

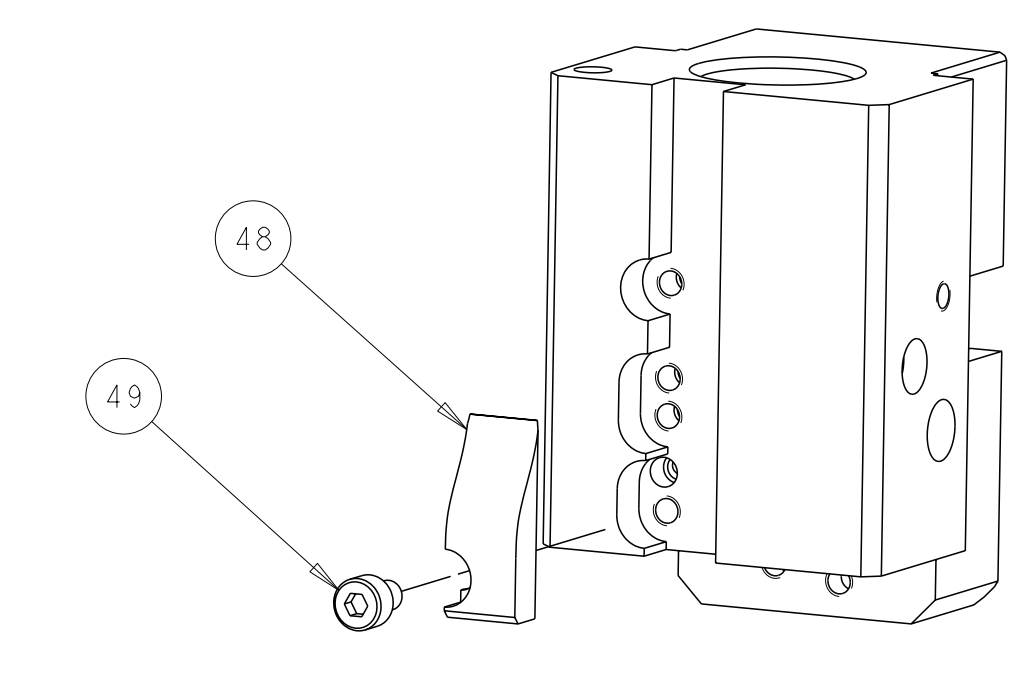
-	1	-	1	1	1	2119798-1	DETENT PIN	247
-	1	-	1	1	1	1-22279-3	SPRING, COMPRESSION	246
-	-	1	-	-	-	2119759-1	RAM, AMP STYLE, END FEED, NON-ADJUST	245
-	1	1	1	1	1	2119082-9	CAM, SNAIL, INSULATION ADJUSTMENT	244
-	1	1	1	1	1	2079764-1	WASHER, WAVE SPRING, CREST-TO-CREST	243
-	1	1	1	1	1	2119083-1	RETAINER, INSULATION DIAL	242
-	-	2	2	-	-	2168084-7	SHCS, LOW HEAD, RoHS, M5 X 10	240
-	-	-	-	-	1	2119580-1	MECHANICAL FEED ASSEMBLY	239
-	-	-	-	1	-	2063440-1	AIR FEED MODULE	238
-	1	1	1	1	1	6-993111-6	PIN, SLOTTED SPRING 3.0 X 14.0	177
-	1	1	1	1	1	8-22280-7	SPRING, COMPRESSION	176
-	1	1	1	1	1	1752353-2	GUIDE PIN, HOLDDOWN	175
-	1	1	1	1	1	1901680-2	GUIDE PIN, HOLDDOWN	174
-	-	-	-	2	-	21045-3	RING, RETAIN, EXTERN, 3/16 CRESCENT	172
-	1	1	1	1	1	994969-1	MAGNET, RARE EARTH HIGH ENERGY	166
-	-	-	-	-	1	240638-1	SPRING, FEED FINGER	163
-	-	-	-	1	-	3-23627-7	PIN, RETAIN, GRVD, 3/16 X .854	137
-	-	REF	REF	-	-	SEE TABLE	MEMORY CHIP, PROGRAMMED	135
-	-	1	1	-	-	1633743-1	SERVO FEED LATCH ASM	133
-	1	1	1	1	1	2168083-8	SCR, SKT HD CAP, RoHS, M4 X 16	92
-	1	1	1	1	1	1-455888-0	SPACER, CRIMPER	82
-	1	1	1	1	1	2119956-2	DOCUMENTATION PACKAGE	71
-	1	-	-	1	1	2119740-1	TAG, IDENTIFICATION	67
-	2	2	2	2	2	21017-2	SCREW, DRIVE	66
-	1	-	1	1	1	2119793-1	LIMITER, ADJUSTMENT BOLT	63
-	3	-	3	3	3	992763-4	SCR, SET, SOC, CONE POINT, M3 x 3.0	62
-	1	1	1	1	1	2079383-4	SCR, BHSC, RoHS (M4 X 8)	60
-	-	-	-	1	1	5-18022-5	SCR, HEX HD CAP, M4 X 6.0	59
-	-	-	-	-	1	2063961-1	FEED FINGER	58
-	3	3	3	3	3	2168083-2	SCR, SKT HD CAP, RoHS, M4 X 8.0	57
-	-	-	-	2	2	1-2168083-0	SCR, SKT HD CAP, RoHS, M4 X 10	56
-	2	2	2	2	2	5018030-2	NUT, HEX, REG, RoHS, M4	55
-	2	2	2	2	2	5018030-1	NUT, HEX, REG, RoHS, M3	54
-	2	2	2	2	2	986965-1	NUT, LOCK, HEX, TORQUE (M4)	53
-	2	2	2	2	2	2-18032-2	SCR, SET, FLT POINT M3 X 10.0	52
-	-	-	-	1	-	2119792-2	PAWL, EF, AIR	51
-	1	1	1	1	1	1-1976055-3	STANDOFF, HOLD-DOWN	50
-	-	-	-	1	2	18023-9	SCR, SKT HD CAP M4 X 6.0	49
-	-	-	-	-	1	2119652-1	FEED CAM, PRE FEED	48
-	-	-	-	-	1	2119653-1	FEED CAM, POST FEED	47
-	1	1	1	1	1	2119655-5	APPLICATOR BASIC ASSEMBLY, EF	46
-	1	1	1	1	1	1-5018030-0	NUT, HEX, REG, RoHS, M3.5	45
-	1	-	1	1	1	2119369-1	RAM, AMP STYLE, END FEED	44
-	1	1	1	1	1	2079383-7	SCR, BHSC, RoHS (M8 X 25)	41
-	1	-	1	1	1	2119645-1	DISC, NUMBERED FA WIRE ADJUSTMENT	40
-	1	1	1	1	1	2119091-4	SHIM, LAMINATE	39
-	1	1	1	1	1	2119644-1	RAM WASHER, PRECISION	38
-	1	1	1	1	1	2119085-1	FA HEAD, ATLANTIC STYLE	37
-	1	-	1	1	1	2119092-1	BOLT, ADJUSTMENT	35
-	7	7	7	7	7	1-18028-2	WASHER, FLAT, REG M4	33
-	1	1	1	1	1	2168083-9	SCR, SKT HD CAP, RoHS, M4 X 20	31
-	2	2	2	2	2	2168084-5	SHCS, LOW HEAD, RoHS, M4 X 20	30
-	2	2	2	2	2	1-2168083-0	SCR, SKT HD CAP, RoHS, M4 X 10	29
-	1	1	1	1	1	240639-1	STRIPPER (MACHINING)	27
-	2	2	2	2	2	1320906-1	STUD, THREADED	25
-	1	1	1	1	1	1752371-6	PLATE, STRIP GUIDE	24
-	1	1	1	1	1	240825-2	PLATE, STRIP HOLD DOWN	23
-	2	2	2	2	2	2-22281-3	SPRING, COMPRESSION	22
-	1	1	1	1	1	1752373-1	DRAG	20
-	2	2	2	2	2	1901259-5	GUIDE, LOWER STRIP	18
-	4	4	4	4	4	1-2079383-1	SCR, BHSC, RoHS (M6 X 12)	17
-	1	1	1	1	1	1752360-1	SPACER, HOLD-DOWN	13
-	1	1	1	1	1	240833-2	PLATE, REAR SHEAR	11
-	1	1	1	1	1	690495-4	PLATE, FRONT SHEAR	9
1	1	1	1	1	1	1333219-3	ANVIL, COMBINATION	8
-	1	1	1	1	1	690474-3	BLADE, SLUG	7
-	1	1	1	1	1	1901681-5	HOLDDOWN, TERMINAL	6
-	1	1	1	1	1	3-240641-5	SPACER	5
-	1	1	1	1	1	238009-1	BLOCK, FL CRIMPER SPACER	4
1	1	1	1	1	1	2119582-3	CRIMPER, INSULATION F PREMIUM	3
-	1	1	1	1	1	1-455888-1	SPACER, CRIMPER	2
1	1	1	1	1	1	1-456408-8	CRIMPER, WIRE PREMIUM	1
-77	-7	-6	-5	-2	-1	PART NO	DESCRIPTION	ITEM NO

THIS DRAWING IS UNPUBLISHED. RELEASED FOR PUBLICATION BY TYCO ELECTRONICS CORPORATION, ALL RIGHTS RESERVED.		DWN G. HOFFNER 17MAR2011 CHK G. BAILEY 18MAR2011	TE Connectivity Harrisburg, PA 17105-3608
DIMENSIONS: mm		TOLERANCES UNLESS OTHERWISE SPECIFIED: 9 PLC ±.5 1 PLC ±0.5 2 PLC ±0.13 3 PLC ±0.013 4 PLC ±0.001 ANGLES ±.001 FINISH	NAME: Ocean End Feed Atlantic Style Applicator PRODUCT SPEC: - APPLICATION SPEC: -
MATERIAL: -		WEIGHT: - SIZE: A1 00779 C=2150145 CUSTOMER ACCESSIBLE PRODUCTION DRAWING	RESTRICTED TO: - SCALE: 1:1 SHEET 1 OF 2 REV A1

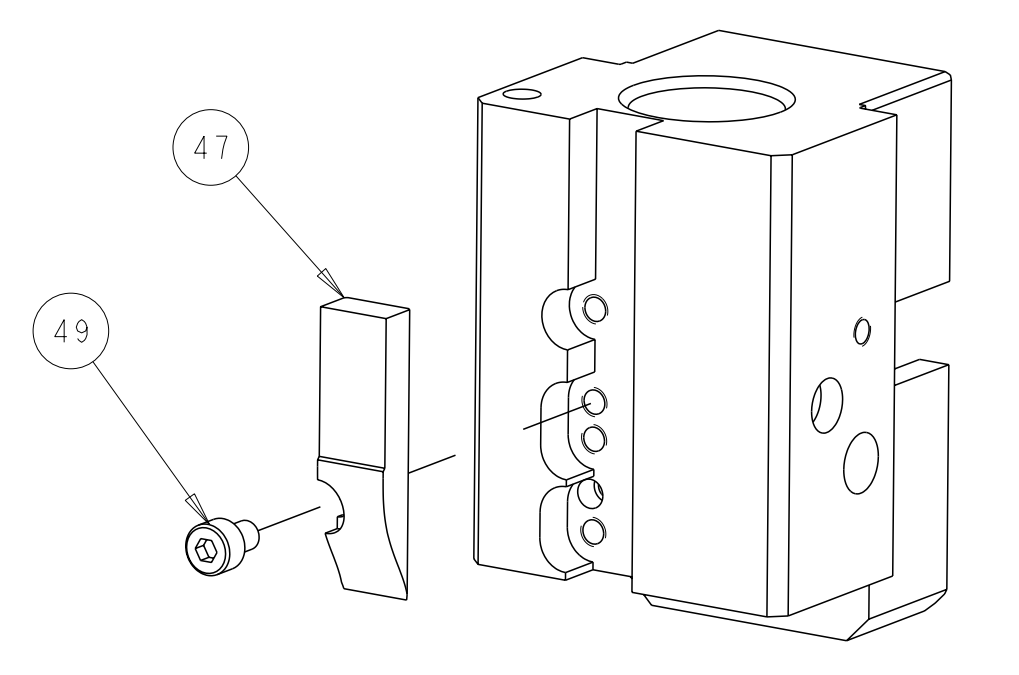
LOC	DIST	REV	DATE	BY	APPD
-	-	1	18MAR2011	G. BAILEY	
DESCRIPTION			DATE	DWN	APPD
SEE SHEET 1			-	-	-



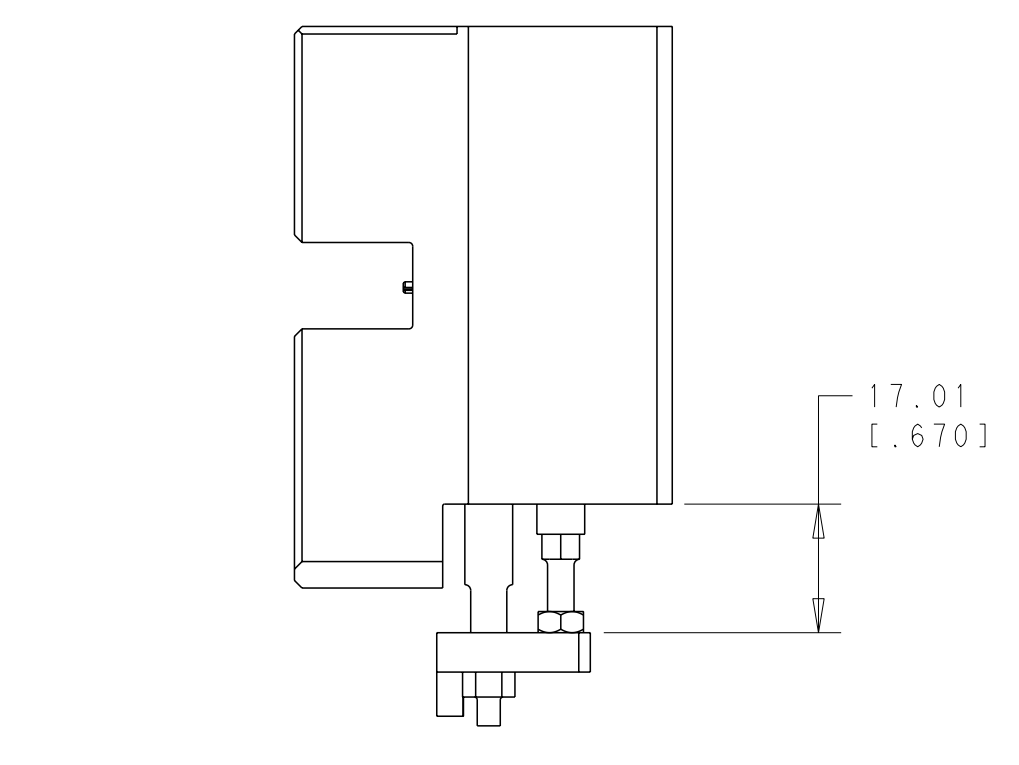
AIR FEED



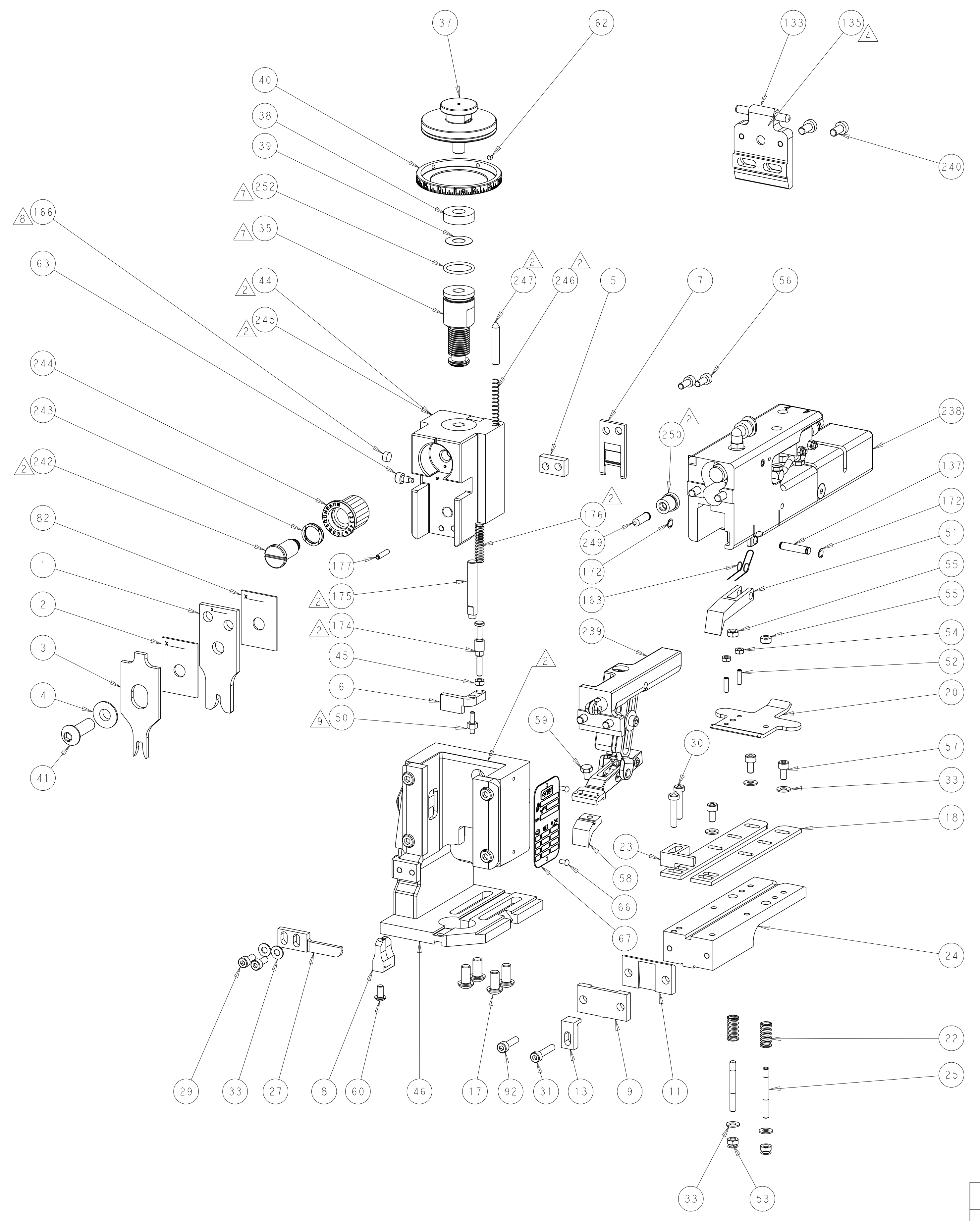
MECH. PRE FEED



MECH. POST FEED



HOLDDOWN SET-UP



DIMENSIONS: mm		TOLERANCES UNLESS OTHERWISE SPECIFIED: 9 PLC ±.5 1 PLC ±0.13 5 PLC ±0.013 4 PLC ±0.001 ANGLES ±.		DWN G. HOFFNER 17MAR2011 CHK G. BAILEY 18MAR2011 APPD G. BAILEY 18MAR2011		NAME Ocean End Feed Atlantic Style Applicator	
MATERIAL: -		FINISH: -		WEIGHT: -		SIZE: A1 CAGE CODE: 00779 DRAWING NO: C-2150145	
CUSTOMER ACCESSIBLE PRODUCTION DRAWING				SCALE: 1:1		SHEET 2 OF 2 REV A1	