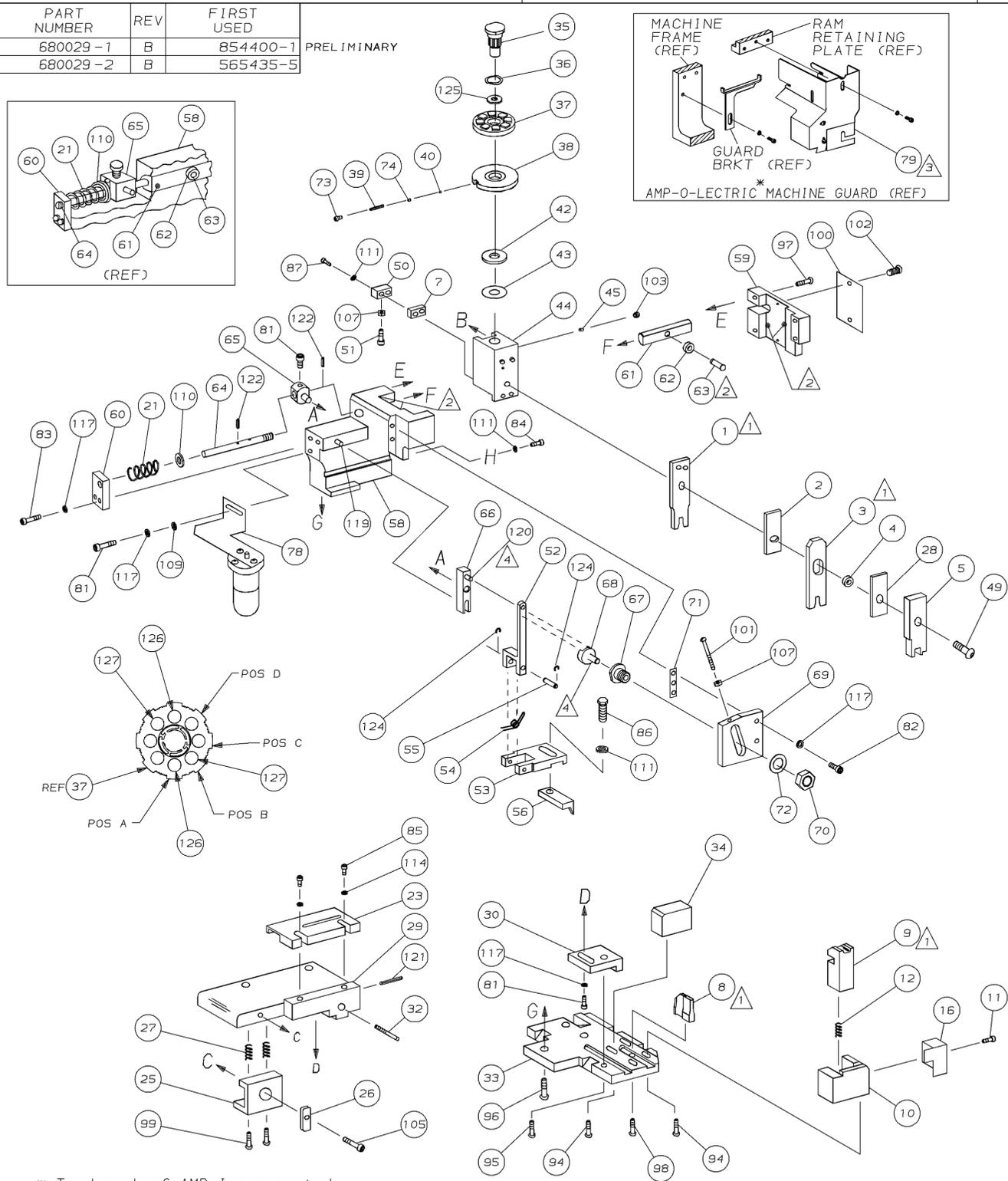
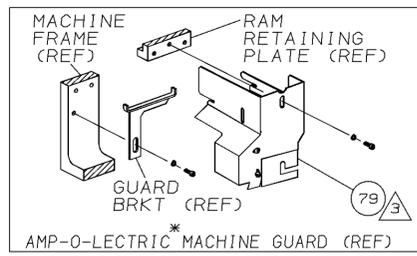
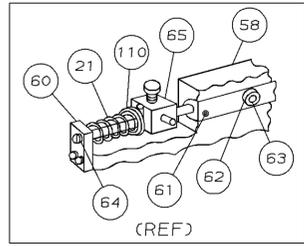
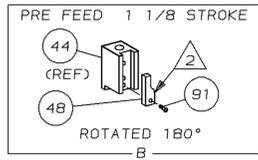
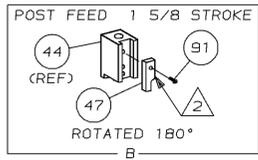


PART NUMBER	REV	FIRST USED
680029-1	B	854400-1
680029-2	B	565435-5

PRELIMINARY



* Trademark of AMP Incorporated



- 1 RECOMMENDED SPARE PARTS.
- 2 GREASE LIGHTLY.
- 3 GUARD MUST BE IN PLACE WHEN OPERATING APPLICATOR IN AMP-O-LECTRIC MACHINE.
- 4 LUBRICATE DAILY USING NO. 20 MACHINE OIL.

TERMINAL NAME:		CONTACT PIN & SOCKET	
PIN	SOCKET		
786966	786964		

CRIMPING DATA			
PAD LTR	CRIMP HEIGHT	WIRE SIZE	
A	.116 ±.002	10	
B	.098 ±.002	12	
C	NOT	USED	
D	NOT	USED	
CRIMP	SIZE	TYPE	RANGE
WIRE	.160	F	12-10
INSUL	.230	0	.180-.200
FEED	.800	APPL INST	SET UP GAGE LAYOUT
		408-8040	458637-1 L1521
TERM APPL SPEC	-	WIRE STRIP LENGTH	-

QTY	REV	U/M	DWG SIZE	PART NO	DESCRIPTION	ITEM NO
2	2	-	C	2-354778-5	PIN, WIRE DISC (.2620)B	127
2	2	-	C	1-354778-1	PIN, WIRE DISC (.2550)A	126
1	1	-	A	986950-1	WASHER, FLAT PRECISION	125
2	2	-	A	21045-3	RING, RET "C" (Ø.187)FD FING PIN	124
2	2	-	A	5-21028-1	PIN, SLT SPR (Ø.125x.50)ADJ ROD	122
1	1	-	A	4-21028-0	PIN, SLT SPR (Ø.093x.75)ST GDE PL	121
1	1	-	A	1-21030-1	PIN, DOWEL (Ø.187x.50)LEVER	120
1	1	-	A	1-21030-6	PIN, DOWEL (Ø.187x1.25)HOUSING	119
6	5	-	A	21024-5	WASHER, LOCK (#10)ADJ BLOCK	118
						117
						116
						115
2	2	-	A	21024-2	WASHER, LOCK (#4)FRONT STP GUIDE	114
						113
						112
4	4	-	A	21024-4	WASHER, LOCK (#8)STRIPPER	111
1	1	-	A	21899-4	WASHER, FLAT (Ø5/16) SCREW ADJ	110
1	REF	-	A	21899-2	WASHER, FLAT (NO. 10) LUB ASSY	109
						108
2	2	-	A	21018-5	NUT, HEX (6-32)FEED ADJ	107
						106
1	1	-	A	22353-8	SCR, SHLD (Ø.187x.25)DRAG LEVER	105
1	-	-	A	992031-1	PIN, CLEVIS	104
1	1	-	A	21009-2	SCR, SKT SET (1/4-20x.25 LW)RAM	103
2	2	-	A	21017-2	SCR, DRIVE (#2x.19) ID PLATE	102
1	1	-	A	6-23715-5	SCR, PAN HD (6-32x1.50)FEED ADJ	101
1	1	-	B	461264-1	PLATE, IDENTIFICATION	100
2	2	-	A	3-21002-0	SCR, BHC (10-32x.88)DRAG	99
1	1	-	A	22733-8	SCR, BHC (8-32x.38 LW)ANVIL	98
2	2	-	A	2-21002-9	SCR, BHC (10-32x.75)CAP	97
3	3	-	A	2-22733-8	SCR, BHC (1/4-20x.62)HOUSING	96
1	1	-	A	2-21002-7	SCR	