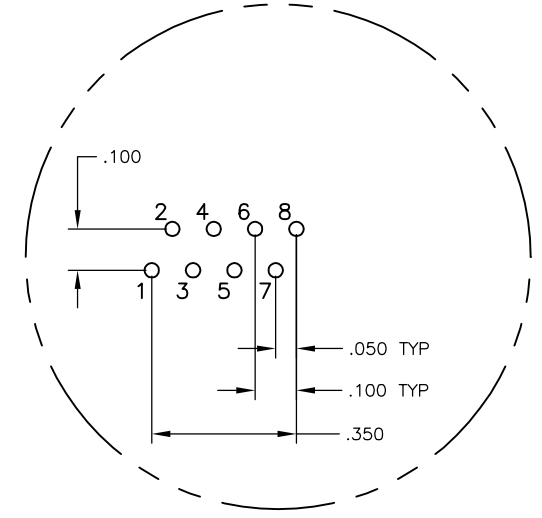
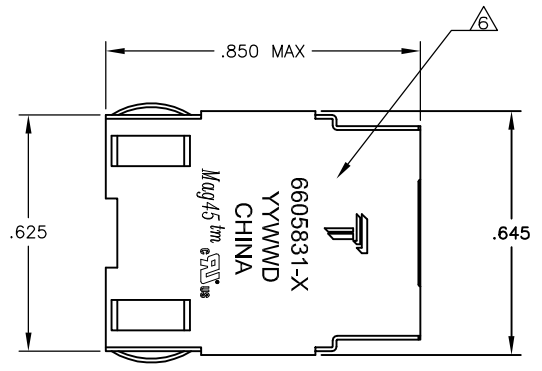


REVISIONS				
#	LN	DESCRIPTION	DATE	BY / APP'D
D		LOGO CHANGE	07APR2013	QL / KZ

MECHANICAL:



Pin Designations

- ⚠ MATERIALS:
 - HOUSING - THERMOPLASTIC PET POLYESTER FLAMMABILITY RATING UL 94V-0.
 - SHIELD - .010" THICK, C26800 BRASS PREPLATED WITH 30μINCH MIN SEMI-BRIGHT NICKEL, SOLDER TABS POST DIPPED WITH 100μINCH MIN SAC SOLDER.
 - MOD JACK CONTACTS - 0.0157" x 0.018" PHOSPHOR BRONZE, 50μINCH MIN OVERALL NICKEL UNDERPLATE, WITH SELECT 50μINCH MIN HARD GOLD FINISH PLATE.
 - SOLDERTAILS WITH 100μINCH MIN MATTE TIN AND/OR SAC SOLDER DIP.

- ⚠ RJ45 JACK CAVITY CONFORMS TO FCC RULES AND REGULATIONS PART 68, SUB PART F.

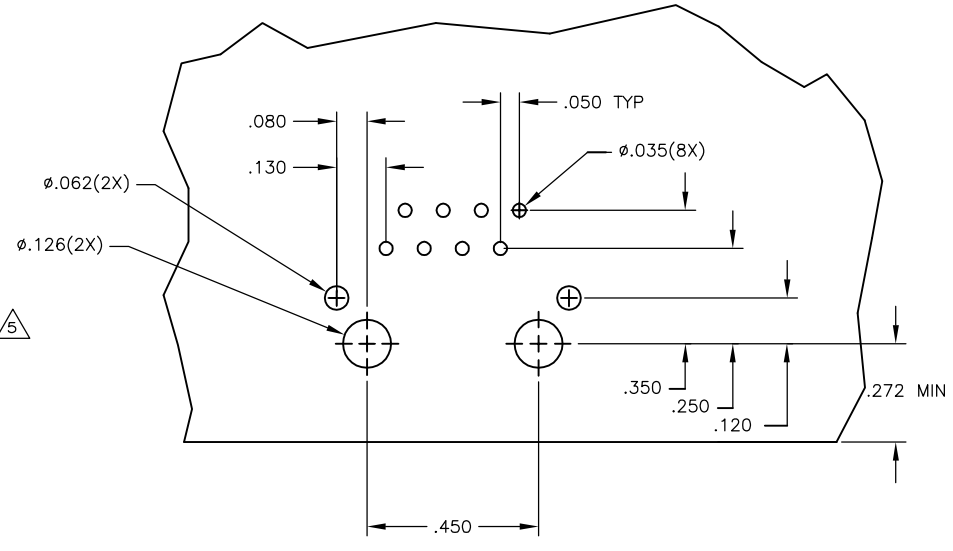
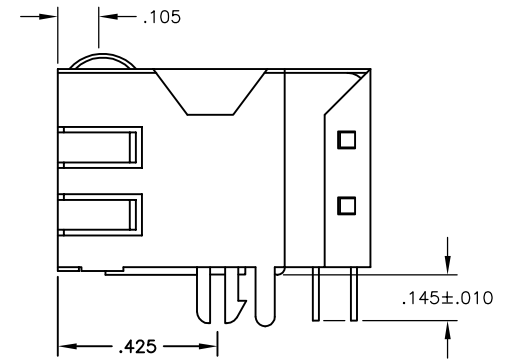
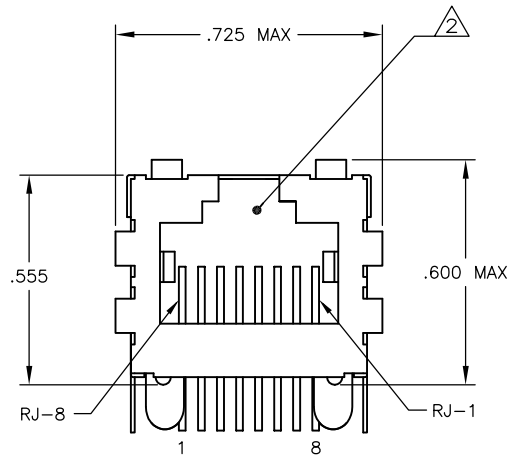
- ⚠ MAGNETICS
 - IMPEDANCE: 100 OHMS
 - TURNS RATIO (CHIP: CABLE): TX = 1:1, RX = 1:1
 - OPEN CIRCUIT INDUCTANCE (OCL): 350μH MIN @100kHz, 0.1VRMS, 8mADC BIAS FROM -40°C TO +85°C, TX AND RX
 - PERFORMANCE @ 25°C:
 - INSERTION LOSS (IL): 1.1dB MAX FROM 0.5MHz TO 100MHz
 - RETURN LOSS (RL): 18dB MIN FROM 0.5MHz TO 30MHz
 - 18-20LOG(f/30)dB MIN FROM 30.1MHz TO 60MHz
 - 12dB MIN FROM 60.1MHz TO 80MHz
 - CROSSTALK ATTENUATION: 35dB MIN FROM 0.5MHz TO 40MHz
 - 33-20*LOG(f/50)dB MIN FROM 40.1MHz TO 100MHz
 - COMMON MODE REJECTION RATIO (CMRR): 30dB MIN FROM 0.5MHz TO 100MHz
 - ISOLATION VOLTAGE: 2250VDC (MAX) FOR 60 SECONDS WITH A RISE TIME OF 500V/SEC.

- 4. OPERATING TEMPERATURE: FROM -40° TO +85°C INDUSTRIAL TEMPERATURE RATED.

- ⚠ INDICATED CONNECTIONS ARE FOR HUB CONFIGURATION. THE MAGNETICS ARE SYMMETRICAL AND SUPPORT AUTO-MDI/MDIX.

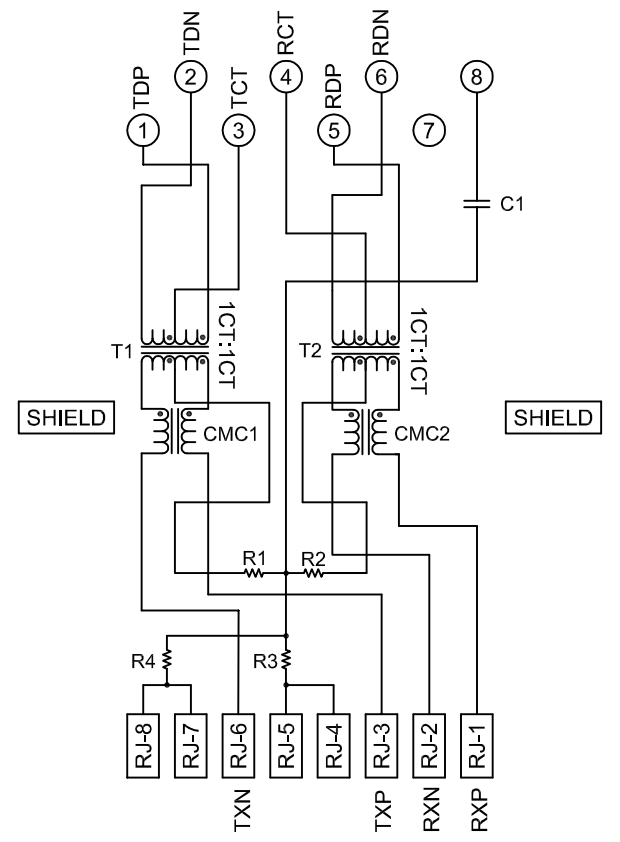
- ⚠ TRP CONNECTOR LOGO, PART NUMBER, DATE CODE, COUNTRY OF ORIGIN AND AGENCY APPROVAL MARKING IN APPROXIMATE LOCATION SHOWN.

- 7. THE PART IS RECOMMENDED FOR WAVE SOLDERING PROCESS, PREHEAT TEMPERATURE IS 120°C TO 160°C, 120 SECONDS TO 180 SECONDS, PEAK WAVE SOLDERING TEMPERATURE IS 260°C MAX, 10 SECONDS MAX.

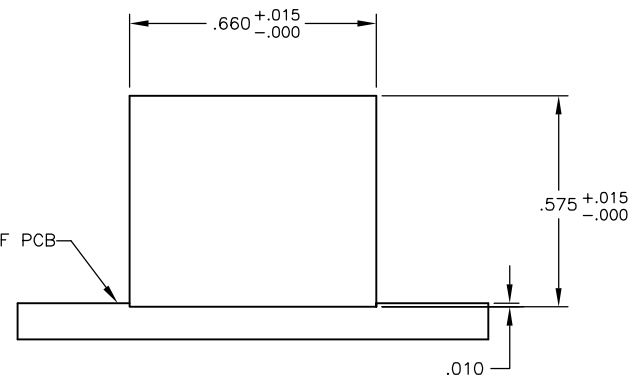


**Suggested PCB Layout
(Component Side)**

ELECTRICAL:
766ET SERIES MAGNETIC CIRCUIT



C1=1000 pF, 2kV DECOUPLING CAPACITOR
R1-R4 = 75 OHMS, 1/16 W RESISTORS



Suggested Panel Cutout

6605831-1
PART NUMBER

THIS DRAWING IS A CONTROLLED DOCUMENT.		DRN L. VARELA - DOCKS 04MAR2005	TRP connector Dongguan China
DIMENSIONS: INCHES		CHK D. FAROLE 04MAR2005	
TOLERANCES UNLESS OTHERWISE SPECIFIED:		APVD D. FAROLE 04MAR2005	PRODUCT SPEC 108-2100
0 PLC ± - 1 PLC ± .010 2 PLC ± .005 3 PLC ± .003 4 PLC ± .002 ANGLES ± - FINISH ⚠		APPLIC. SPEC	MMFX1 MAG45 (TM), 7H2ET INDUSTRIAL TEMPERATURE SCHEMATIC (10/100 ETHERNET), 766 CIRCUIT, SHIELDED, DECOUPLING CAPACITOR, NO LEDS
MATERIAL ⚠		SCALE CUSTOMER DRAWING	RESTRICTED TO A1 00779 C=6605831
		SCALE NTS	SHEET 1 OF 1
		REV D	