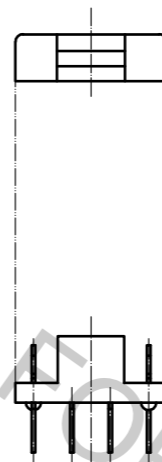
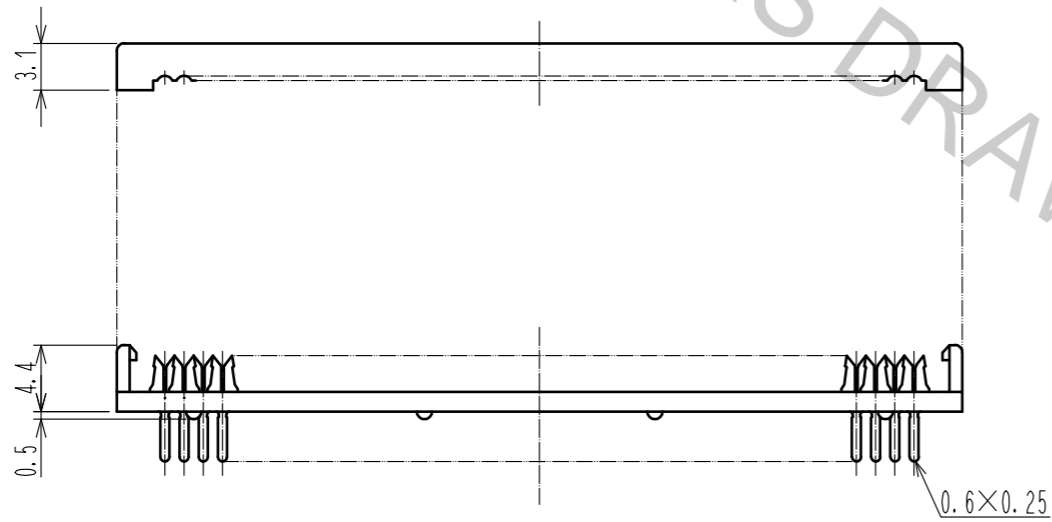
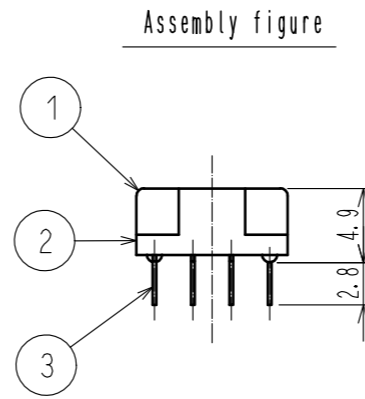
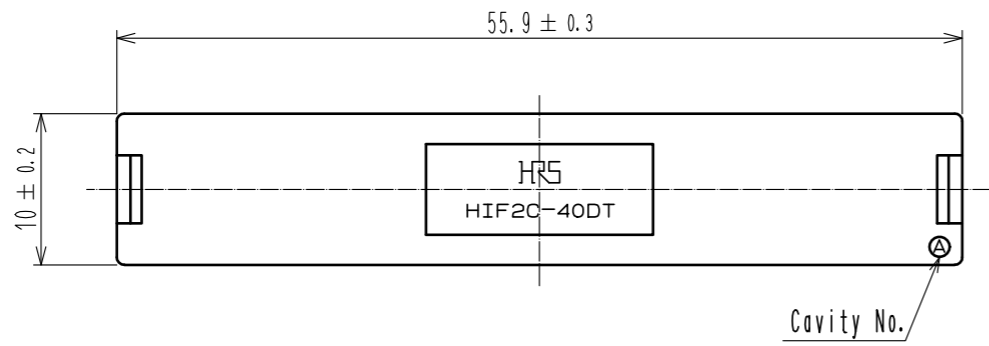
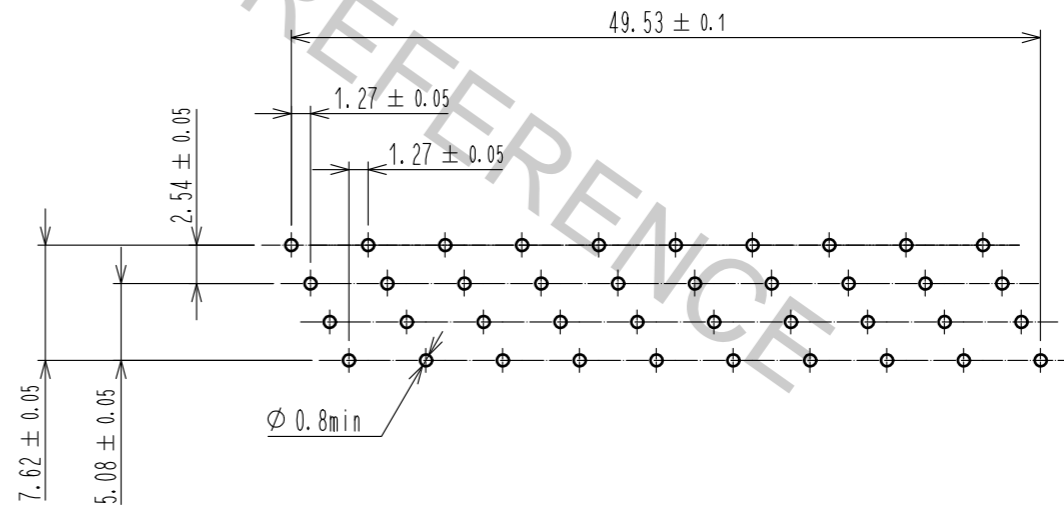
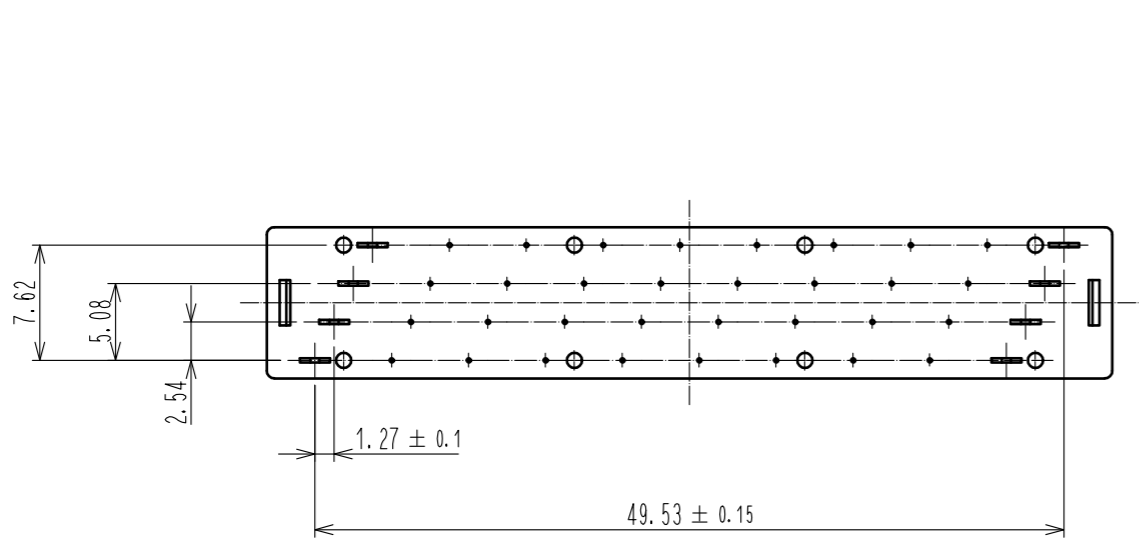


Oct.1.2018 Copyright 2018 HIROSE ELECTRIC CO., LTD. All Rights Reserved.
 In case that the application demands a high level of reliability, such as automotive,
 please contact a company representative for further information.



PC board hole pattern



2	PBT	BLACK		3	BERYLLIUM COPPER	Over plated : Gold
1	PBT	BLACK				Under plated : Nickel
NO.	MATERIAL	FINISH .	REMARKS	NO.	MATERIAL	FINISH .
						REMARKS
UNITS		SCALE	COUNT	DESCRIPTION OF REVISIONS		DESIGNED
mm		2 : 1				CHECKED
HRS HIROSE ELECTRIC CO., LTD.		APPROVED : HT. YAMAGUCHI	18.06.25	DRAWING NO.		EDC-017272-00-00
		CHECKED : HT. YAMAGUCHI	18.06.25	PART NO.		HIF2C-40DT-1.27R
		DESIGNED : HR. NAGAYASU	18.06.22	CODE NO.		CL561-0087-0-00
		DRAWN : MK. OOKI	18.06.21			