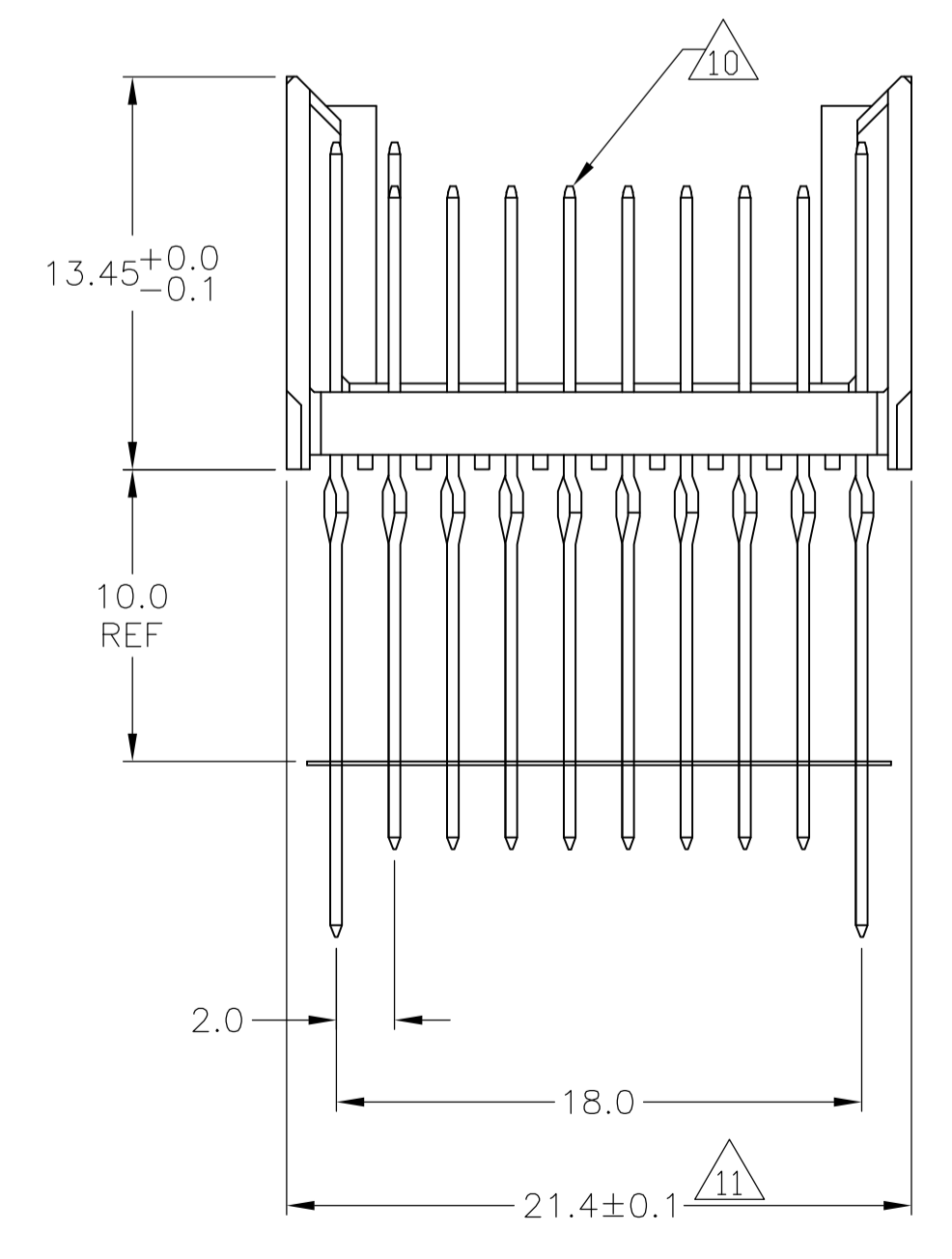
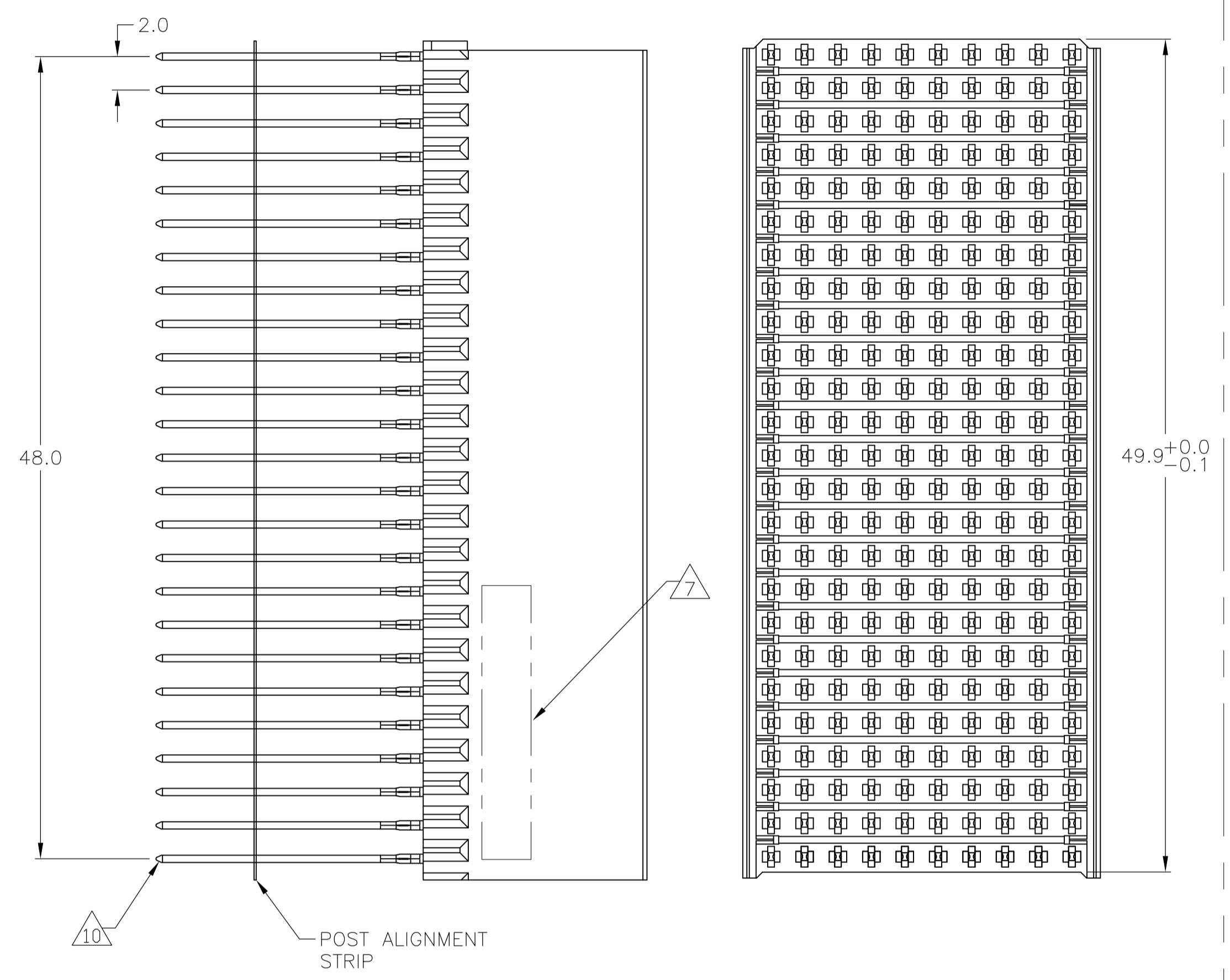


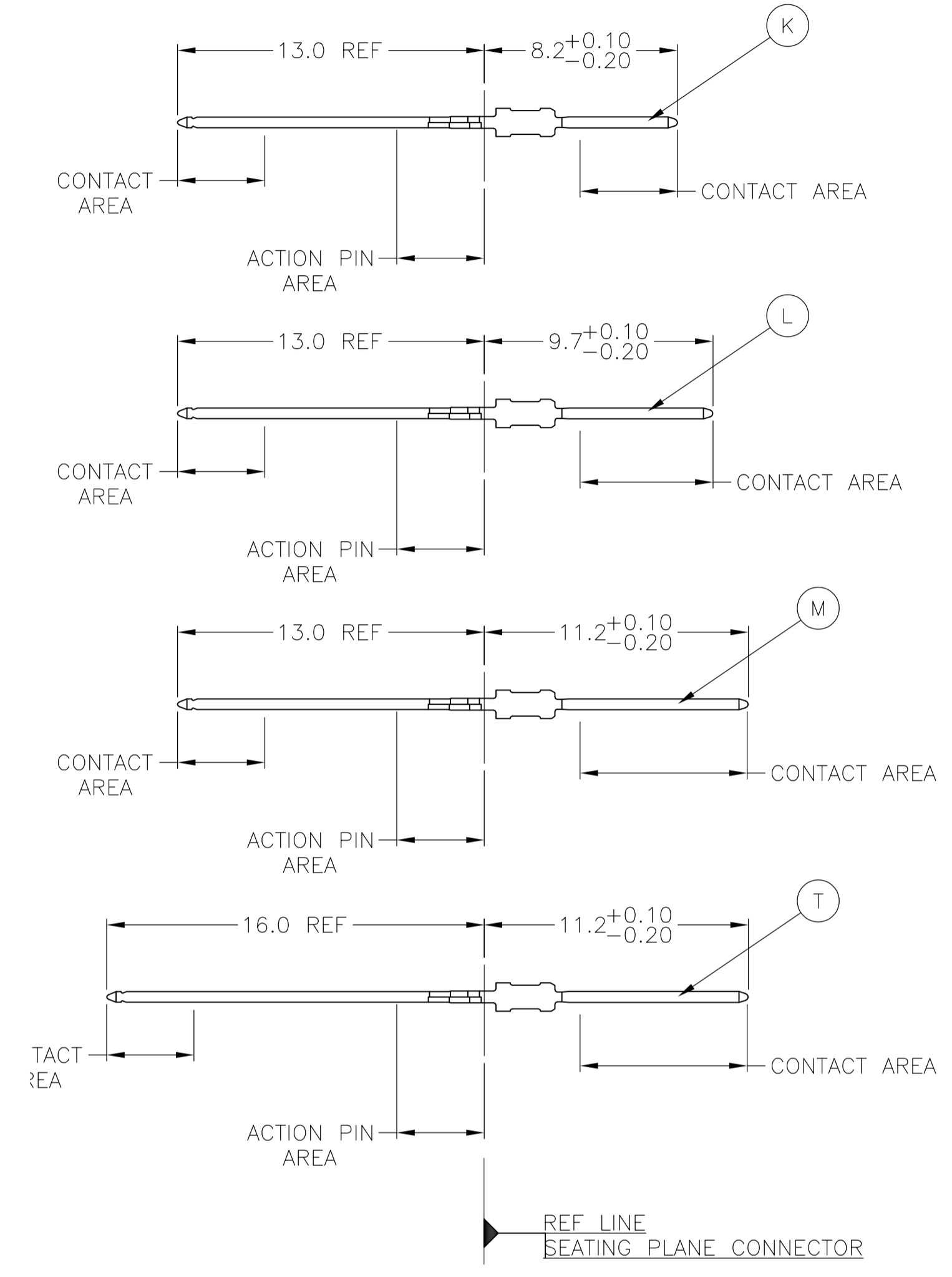
| LOC | | DIST | | REVISIONS | | | |
|-----|-----|------------------------------|---------|-----------|------|--|--|
| P | LTR | DESCRIPTION | DATE | DMN | APVD | | |
| A | | REVISED PER ECN 0512-0303-05 | 18APR06 | JDP | GES | | |
| A1 | | REVISED PER ECO-09-024927 | 10NOV09 | KK | AEQ | | |
| B | | ECR-10-018652 | 10SEP10 | JS | MQW | | |

CONNECTOR ASSEMBLY EXAMPLARY LOADED



CONTACT DIMENSIONS

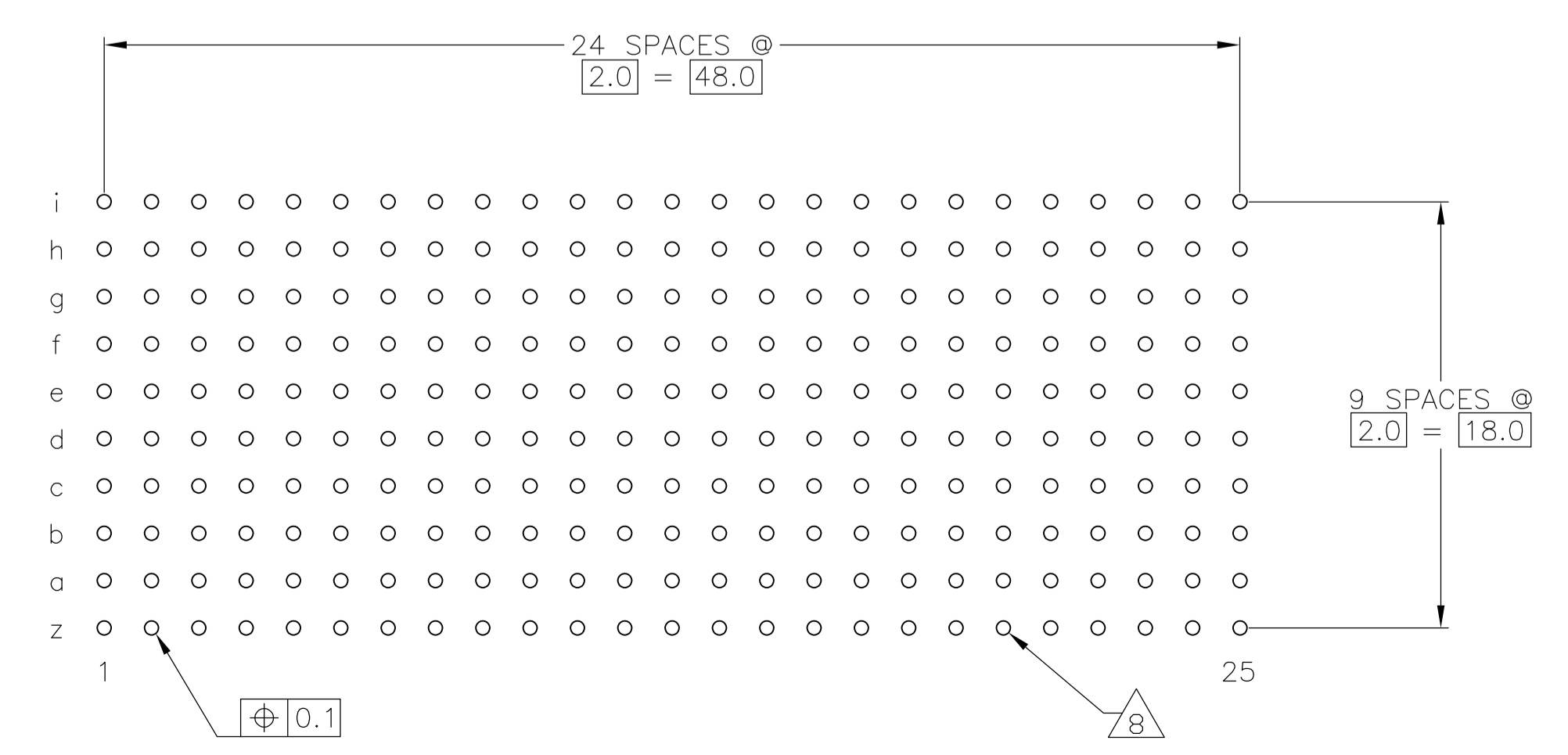
SCALE 5:1



CONTACT LAYOUT

| | z | a | b | c | d | e | f | g | h | i |
|----|---|---|---|---|---|---|---|---|---|---|
| 1 | T | L | L | L | L | L | L | L | L | T |
| 2 | T | L | L | L | L | L | L | L | L | T |
| 3 | T | L | L | L | L | L | L | L | L | T |
| 4 | T | M | L | L | L | L | L | L | L | T |
| 5 | T | L | L | L | L | L | L | L | L | T |
| 6 | T | L | L | L | L | L | L | L | L | T |
| 7 | T | L | L | L | L | L | L | L | L | T |
| 8 | T | M | L | L | L | L | L | L | L | T |
| 9 | T | L | L | L | L | L | L | L | L | T |
| 10 | T | L | L | L | L | L | L | L | L | T |
| 11 | T | L | L | L | L | L | L | L | L | T |
| 12 | T | M | L | L | L | L | L | L | L | T |
| 13 | T | L | L | L | L | L | L | L | L | T |
| 14 | T | L | L | L | L | L | L | L | L | T |
| 15 | T | K | L | L | L | L | L | L | L | T |
| 16 | T | M | L | L | L | L | L | L | L | T |
| 17 | T | L | L | L | L | L | L | L | L | T |
| 18 | T | L | L | L | L | L | L | L | L | T |
| 19 | T | L | L | L | L | L | L | L | L | T |
| 20 | T | L | L | L | L | L | L | L | L | T |
| 21 | T | L | L | L | L | L | L | L | L | T |
| 22 | T | L | L | L | L | L | L | L | L | T |
| 23 | T | L | L | L | L | L | L | L | L | T |
| 24 | T | L | L | L | L | L | L | L | L | T |
| 25 | T | L | L | L | L | L | L | L | L | T |

RECOMMENDED PCB-HOLE LAYOUT COMPONENT SIDE SHOWN



PLATED THRU HOLES PARAMETERS

REFERENCE APPLICATION SPECIFICATION

| | | |
|----------|--------|-------------|
| OBSOLETE | 2 6 12 | 1-6645084-9 |
| | 2 5 12 | -6645084-9- |
| | 2 4 | 6645084-4 |
| | 2 3 | 6645084-1 |
| FINISH | | PART NUMBER |

THIS DRAWING IS A CONTROLLED DOCUMENT.

| | | | | |
|----------------|--|---------------------|------------------------|--|
| DIMENSIONS: mm | TOLERANCES UNLESS OTHERWISE SPECIFIED: | DIN B CARBO 01AUG05 | APVD G SKIPPER 01AUG05 | Tyco Electronics Corporation Harrisburg, Pa 17105-3608 |
| 0-PLC ± | 1-PLC ±0.1 | 01AUG05 | NAME | MALE ASSEMBLY, Z-PACK 2mm HM, TYPE E |
| 2-PLC ±0.2 | 3-PLC ± | | PRODUCT SPEC | 108-1622 |
| 4-PLC ± | ANGLES ± | | APPLICATION SPEC | 114-19029 |
| MATERIAL 1 | FINISH SEE TABLE | WEIGHT | SIZE | CAGE CODE |
| | | | A1 | 00779 |
| | | | DRAWING NO | 6645084 |
| | | | RESTRICTED TO | |
| | | | CUSTOMER DRAWING | SCALE 4:1 |
| | | | | SHEET 1 OF 2 |
| | | | | REV B |

| LOC | | DIST | | REVISIONS | | | | |
|-----|-----|-------------|------|-----------|------|--|--|--|
| P | LTR | DESCRIPTION | DATE | DN | APVD | | | |
| AD | 00 | SEE SHEET 1 | - | - | - | | | |

- 1 MATERIAL:
CONTACT: PHOSPHOR BRONZE.
HOUSING: GLASS-FILLED POLYESTER.
- 2 GENERAL PLATING SPECIFICATION: UNDERPLATING
(ENTIRE CONTACT): 1.27µm MIN NICKEL AND ACTION
PIN: 0.5µm MIN TIN.
FOR PLATING OF MATING SURFACES SEE APPLICABLE
SPECIFICATION REFERENCE FOR EACH DASH NUMBER.
- 3 CONFORMS TO ALL TESTING ACCORDING TO IEC 61076-4-101
PERFORMANCE LEVEL 2.
- 4 CONFORMS TO ALL TESTING ACCORDING TO IEC 61076-4-101
PERFORMANCE LEVEL 1.
- 5 CONNECTOR TESTED AND QUALIFIED AGAINST TELCORDIA GR-1217-CORE QUALITY LEVEL 3,
CENTRAL OFFICE APPLICATIONS.
- 6 CONNECTOR TESTED AND QUALIFIED AGAINST TELCORDIA GR-1217-CORE QUALITY LEVEL 3,
UNCONTROLLED ENVIROMENT APPLICATIONS.
- 7 CONNECTOR MARKED WITH PART NUMBER AND DATE CODE.
ADDITIONAL CHARACTERS OR MARKINGS, AS WELL AS THE LOCATION OF THE MARKINGS,
MAY BE ADDED FOR TRACEABILITY BASED UPON MANUFACTURERS DISCRETION.
- 8 PLATED-THROUGH HOLES AT 2x2mm SQUARE GRID
PATTERN DEFINED BY CONTACT LAYOUT.
- 9 FOR ACTUAL PIN LOADING SEE "CONTACT LAYOUT".
- 10 FOR ACTUAL PIN DIMENSIONS SEE "CONTACT DIMENSIONS".
- 11 TO BE MEASURED AT BOTTOM OF SHROUD.
- 12 CONNECTOR LUBRICATED WITH BELCORE APPROVED LUBRICANT,
TECHNICAL REFERENCE: TR-NWT-001217 ISSUE 1, SEP 1992.
- 13 OBSOLETE PARTS: OBSOLETE CIS STREAMLINING PER D.RENAUD/D.SINISI

| | | | | | |
|--|--|-------------------------------|--------------------|---|-----------------------|
| THIS DRAWING IS A CONTROLLED DOCUMENT. | | DIN E CARBO | 01AUG05 | Tyco Electronics Corporation Harrisburg, Pa 17105-3608 | |
| DIMENSIONS: mm | | CIK G SKIPPER | 01AUG05 | NAME MALE ASSEMBLY, Z-PACK 2mm HM, TYPE E | |
| TOLERANCES UNLESS OTHERWISE SPECIFIED: 0-PLC ± 1-PLC ±0.1 2-PLC ± 3-PLC ± 4-PLC ± ANGLES ± | | APVD G SKIPPER | 01AUG05 | PRODUCT SPEC 108-1622 | |
| MATERIAL SEE SHEET 1 | | APPLICATION SPEC 114-19029 | SIZE A1 | CAGE CODE 00779 | DRAWING NO 6645084 |
| FINISH SEE SHEET 1 | | WEIGHT - | RESTRICTED TO - | | |
| CUSTOMER DRAWING | | | SCALE 4:1 | SHEET 2 | OF 2 REV B |