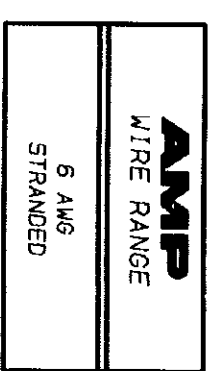


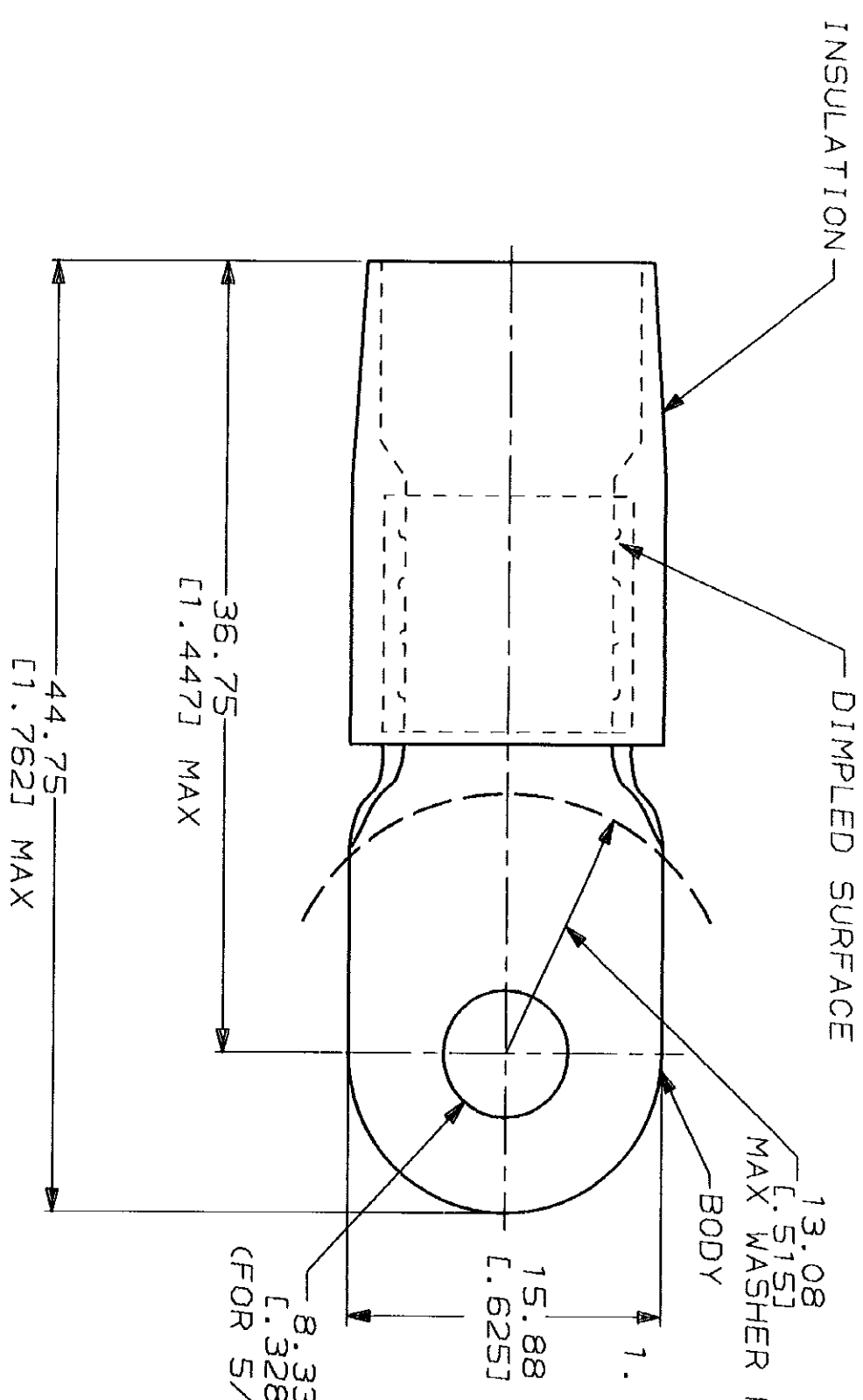
THIS DRAWING IS UNPUBLISHED. RELEASED FOR PUBLICATION BY AMP INCORPORATED. ALL INTERNATIONAL RIGHTS RESERVED. © COPYRIGHT 1983

LOC	DIST	P	ZONE	LTR	REVISIONS	DESCRIPTION	DATE	APPD
G	14				EC 0720-0279-93		6-18-93	SS <sup>6</sup> BB



**METRIOR**  
DIMENSIONS LISTED IN mm [ INCHES ]

1. TONGUE MATERIAL THK 1.14±0.08 [ 0.045±.003 ] FOR 7.98 [ 0.314 ] MAX WIRE INS DIA



**AMP INCORPORATED  
CUSTOMER SERVICE SYSTEMS**

FOR ADDITIONAL PRODUCT INFORMATION OR COPIES OF DRAWINGS AND TECHNICAL DOCUMENTS	1-800-522-6752	PRODUCT INFORMATION CENTER
FOR APPLICATION TOOLS INFORMATION	1-800-722-1111	TOOLING ASSISTANCE CENTER
FOR ORDER ENTRY	1-800-526-5142	

MS25036-121 CLASS 2	MILITARY P/N AND CLASS	DO NOT SCALE PRINT. UNLESS SPECIFIED DIMENSIONS IN MILLIMETERS—TOLERANCES ON: 1. PLC DEC # 0.20 (.008) 2. PLC DEC # 0.25 (0.01) 3. ANGLES	DR 6-18-93 S.S. GOLDEN	QTY	PACKAGE TYPE	LOOSE PC	PART NO	324048
CIRCULAR MIL AREA: 10.5-16.8mm <sup>2</sup> [20, 800-33, 100] STRANDED	VOLTAGE RATING: -	MATERIAL: COPPER PER ASTM B-152 NYLON (MIL-M-20693) TYPE 1 COLOR: BLUE	CHK 6-18-93 R. HERSEY	APPD 6-18-93 B. BARE	AMPD 6-18-93 M. ELLIS	FINISH: TIN PLATE PER MIL-T-10727	NAME: AMP	AMP Incorporated Harrisburg, PA 17105-3608
MAX RECOMMENDED OPERATING TEMPERATURE: 105°C			APPD 6-18-93 M. ELLIS	PRODUCT SPEC	APPLICATION SPEC	SCALE: B	TERMINAL, RING TONGUE, TERMINYL WIRE SIZE: 6 AWG	
			WEIGHT			SIZE: B	CAGE CODE: 00779	DRAWING NO: 324048
						SCALE: NTS		SHEET: 1 OF 1