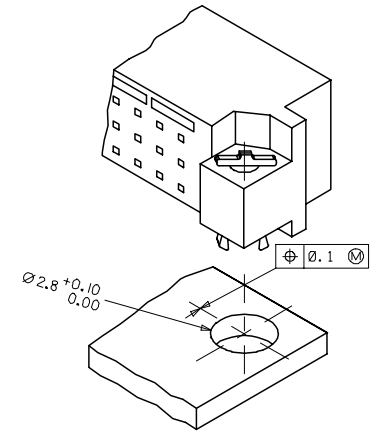
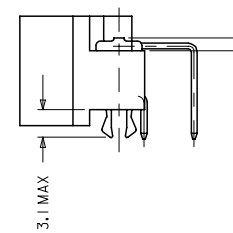


WITH MOUNTING CLIPS

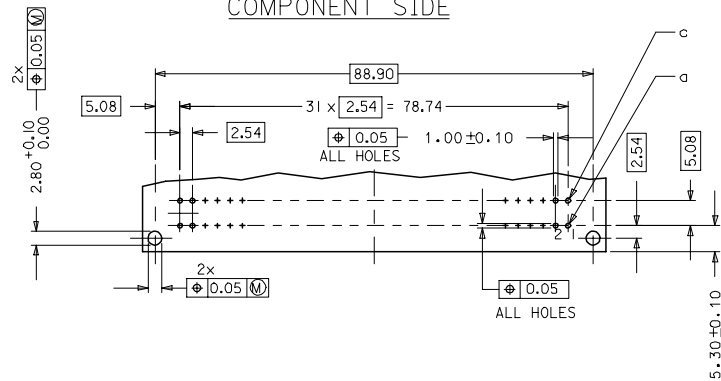
8:1



NOTES:

- 1) MATERIALS: THERMOPLASTIC POLYESTER, GLASS FILLED, UL94V-0, COLOUR: PEBBLE GREY RAL 7032  
TERMINAL - BRASS  
MOUNTING CLIP: STEEL
- 2) FINISH: TERMINAL:-  
CONTACT AREA
  1. PERFORMANCE LEVEL 1: SELECTIVE GOLD (Au), THICKNESS = 1.1 MICROMETER OVER NICKEL, THICKNESS = 1.25 MICROMETER
  2. PERFORMANCE LEVEL 2: SELECTIVE GOLD (Au), THICKNESS = 0.6 MICROMETER OVER NICKEL, THICKNESS = 1.25 MICROMETER
  3. PERFORMANCE LEVEL 3: SELECTIVE GOLD (Au), THICKNESS = 0.3 MICROMETER OVER NICKEL, THICKNESS = 1.25 MICROMETER
 TERMINATION AREA:  
SELECTIVE TIN, THICKNESS = 2.5 MICROMETER  
OVER NICKEL, THICKNESS = 1.25 MICROMETER OVERALL
- 3) MOUNTING CLIP:-  
TIN (Sn), THICKNESS = 5-10 MICROMETER,  
OVER NICKEL (Ni), THICKNESS = 2.5 MICROMETER
- 4) FOR NON MOUNTING CLIP OPTION, CONNECTOR TO BE SECURED WITH  
RIVETS: 2 TUBULAR RIVETS 2.5 x 0.3 ... DIN 7340  
SCREWS: 2 CHEESEHEAD SCREWS M2.5 x ... DIN 84 AND 2 HEXAGONAL NUTS M2.5 DIN 934
- 5) MATERIAL NUMBER, BATCH CODE, UL AND CSA MARKING TO BE PRINTED ON THE CONNECTOR
- 6) CUT FACE OF TIP WITHOUT PLATING PERMITTED
- 7) PRODUCT SPECIFICATION : PS-36502-001

RECOMMENDED PCB LAYOUT  
COMPONENT SIDE

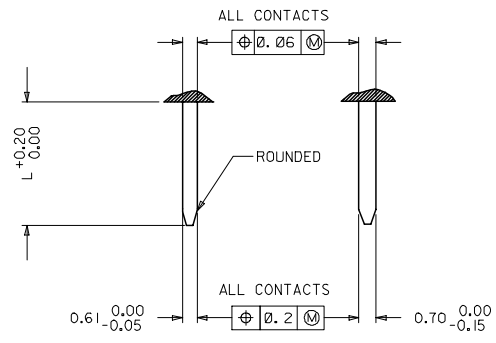


RoHS COMPLIANT

EC No: P2007-0044 DRAWING APPROVED 2006/10/10 CHECKED BY 2006/10/11 APPROVED BY 2006/10/10	QUALITY SYMBOLS ▽=0 ▽=0	GENERAL TOLERANCES (UNLESS SPECIFIED)		DIMENSION STYLE MM ONLY		SCALE 2:1	DESIGN UNITS METRIC	THIRD ANGLE PROJECTION
		4 PLACES ± 0.15 3 PLACES ± 0.05 2 PLACES ± 0.1 1 PLACE ± 0.15	± mm ± INCH	DRAWN BY SS	DATE 1999/10/08	CHECKED BY GJLOWE	DATE 1999/10/08	ASSEMBLY, DIN 41612 C MALE, 64 POS A+C LOADED
C1	DESCRIPTION DRAFT WHERE APPLICABLE MUST REMAIN WITHIN DIMENSIONS	MATERIAL NO. SEE CHART		DOCUMENT NO. SD-36502-002		MOLEX INCORPORATED		
		SIZE A1		THIS DRAWING CONTAINS INFORMATION THAT IS PROPRIETARY TO MOLEX INCORPORATED AND SHOULD NOT BE USED WITHOUT WRITTEN PERMISSION			SHEET NO. 1 OF 2	

	20	19	18	17	16	15	14	13	12	11	10	9	8	7	6	5	4	3	2	1
	MATERIAL No	MOLEX ENG No	PERF LEVEL	PLATING	CONTACT SEQUENCE/ROW	PREMATING CONTACT POS.	MOUNTING CLIP													
H	36502-0025	MM-B I400-C963	1	Au+Ni	1,2,3....32 a+c	NO	NO													
	36502-0026	MM-B I500-C963	2	Au+Ni	1,2,3....32 a+c	NO	NO													
	36502-0027	MM-B I600-C963	3	Au+Ni	1,2,3....32 a+c	NO	NO													
L																				
	36502-0031	MM-B I400-C913	1	Au+Ni	1,2,3....32 a+c	NO	YES													
	36502-0032	MM-B I500-C913	2	Au+Ni	1,2,3....32 a+c	NO	YES													
K	36502-0033	MM-B I600-C913	3	Au+Ni	1,2,3....32 a+c	NO	YES													
	36502-0037	MM-B I400-C933	1	Au+Ni	1,2,3....32 a+c	1,32a 1,32c	NO													
J	36502-0038	MM-B I500-C933	2	Au+Ni	1,2,3....32 a+c	1,32a 1,32c	NO													
	36502-0039	MM-B I600-C933	3	Au+Ni	1,2,3....32 a+c	1,32a 1,32c	NO													
I	36502-0043	MM-B I400-C953	1	Au+Ni	1,2,3....32 a+c	1,32a 1,32c	YES													
	36502-0044	MM-B I500-C953	2	Au+Ni	1,2,3....32 a+c	1,32a 1,32c	YES													
	36502-0045	MM-B I600-C953	3	Au+Ni	1,2,3....32 a+c	1,32a 1,32c	YES													
H																				

DETAILY      DETAILX



PRE MATING CONTACTS	5.4
NORMAL CONTACTS	4.8
	L

RoHS COMPLIANT

EC No: 2007-0044 DRINGSATTI HARID 2006/10/10 CHIKKOSUDHIR 2006/10/11 APPRESSUDHIR 2006/10/16	QUALITY SYMBOLS	GENERAL TOLERANCES (UNLESS SPECIFIED)	DIMENSION STYLE	SCALE	DESIGN UNITS	THIRD ANGLE PROJECTION
	▽=0 ▽=0	4 PLACES ± 0.1 3 PLACES ± 0.05 2 PLACES ± 0.1 1 PLACE ± 0.15 ANGULAR ± 2°	MM ONLY DRAWN BY: SS DATE: 1999/09/01 CHECKED BY: GJLOWE DATE: 1999/09/01 APPROVED BY: GJLOWE DATE: 1999/09/01	2:1	METRIC	ASSEMBLY, DIN 41612 C MALE, 64 POS A+C LOADED
DRAFT WHERE APPLICABLE MUST REMAIN WITHIN DIMENSIONS	SEE CHART	MATERIAL NO. SD-36502-002	DOCUMENT NO. MOLEX INCORPORATED	SHEET NO. 2 OF 2	THIS DRAWING CONTAINS INFORMATION THAT IS PROPRIETARY TO MOLEX INCORPORATED AND SHOULD NOT BE USED WITHOUT WRITTEN PERMISSION	