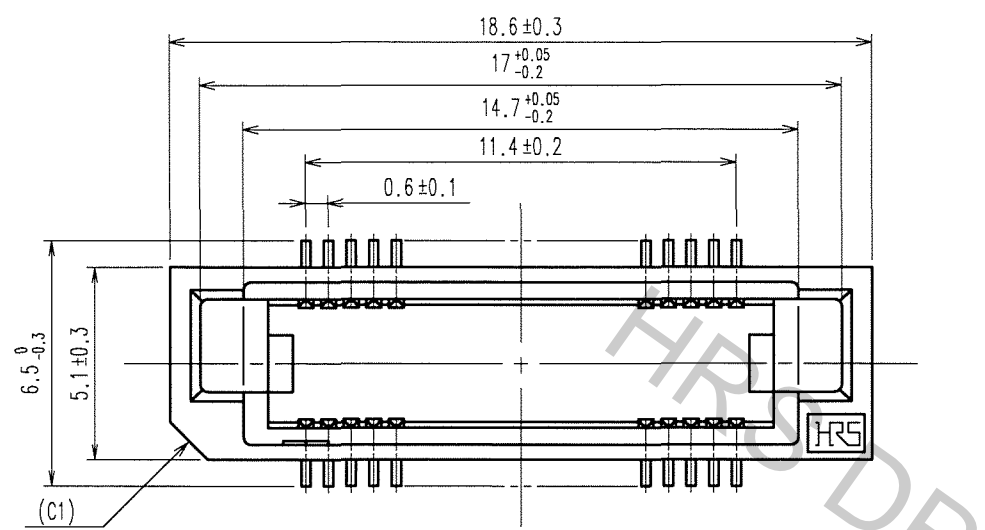
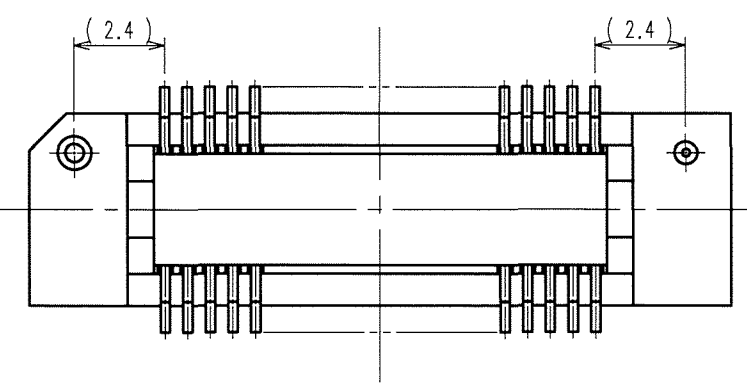
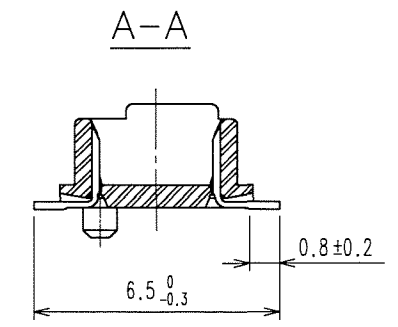
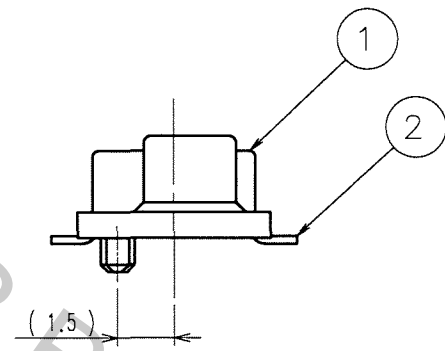
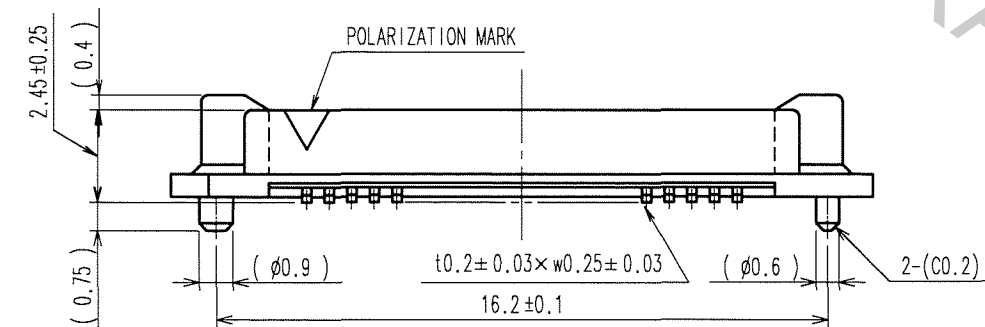
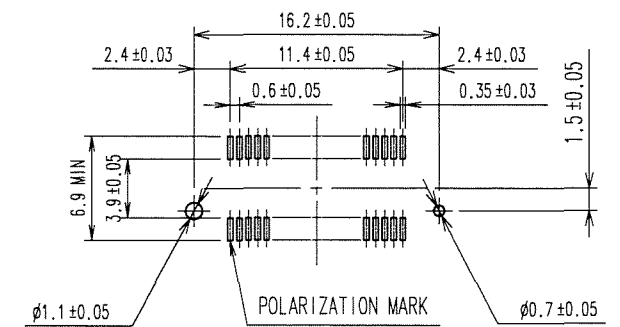


Apr.1.2017 Copyright 2017 HIROSE ELECTRIC CO., LTD. All Rights Reserved.

COUNT	DESCRIPTION OF REVISIONS	BY	CHKD	DATE	COUNT	DESCRIPTION OF REVISIONS	BY	CHKD	DATE
△					△				
△					△				
△					△				



RECOMMENDED LAND PATTERN DIMENSION OF PCB (MOUNTING SIDE) (2:1)



- NOTE 1. LEAD CO-PLANARITY SHALL BE 0.1mm MAX.
 2. TUBE PACKAGING SHALL BE APPLIED FOR THIS PRODUCT. SEE NEXT PAGE FOR DETAILS.
 3. FOR MODIFICATION, ETC., PREVENTIVE HOLE FOR SINK MARK MAY BE ADDED ACCORDING TO CIRCUMSTANCES.
 4. THE DIMENSIONS IN PARENTHESES ARE FOR REFERENCE.

1	PPS	LIGHT BROWN (UL94V-0)	2	PHOSPHOR BRONZE	CONTACT AREA: GOLD 0.1μm min. LEAD AREA: GOLD FLASH UNDER PLATING: NICKEL 0.5μm min.
NO.	MATERIAL	FINISH, REMARKS	NO.	MATERIAL	FINISH, REMARKS

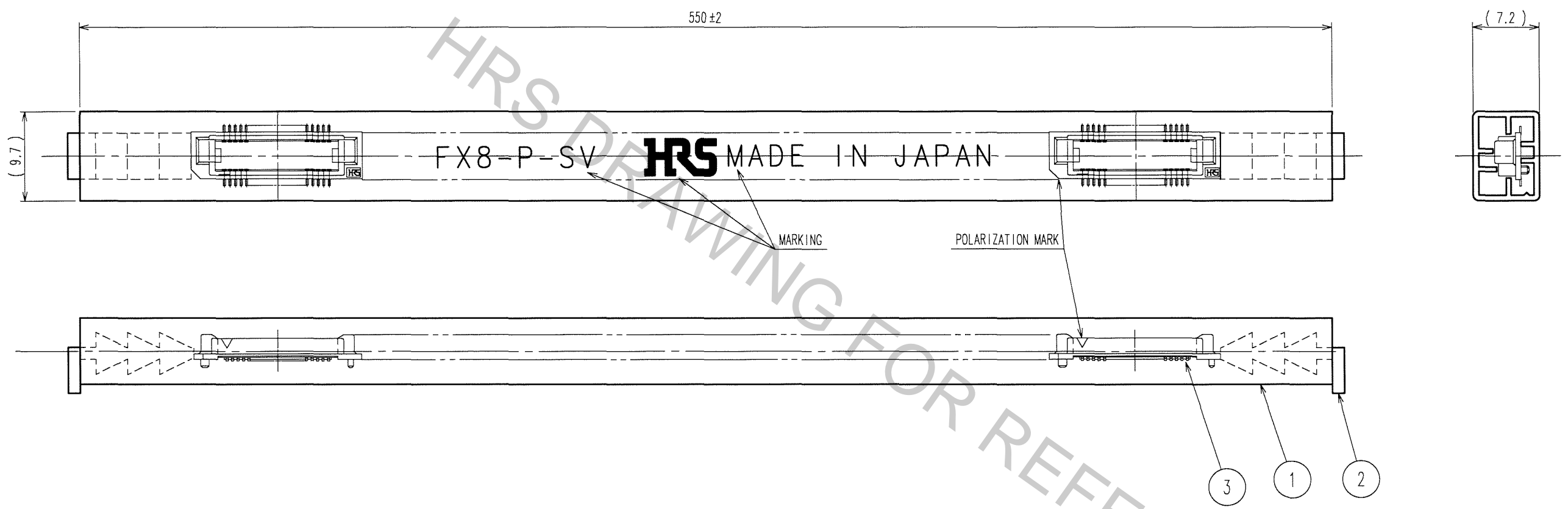
CODE NO. (OLD) CL	DRAWN T. YANAGISAWA '06.04.24	DESIGNED T. YANAGISAWA '06.04.24	CHECKED H. Okawa '06.04.24	APPROVED H. Okawa '06.04.24	RELEASED .
----------------------	-------------------------------------	--	----------------------------------	-----------------------------------	---------------

 SCALE 5 : 1 UNITS mm	DRAWING NO. EDC3-150989-21 HIROSE ELECTRIC CO., LTD	PART NO. FX8-40P-SV(91) CODE NO. CL578-0009-8-91	1/2
--	--	---	-----

TO

Apr.1.2017 Copyright 2017 HIROSE ELECTRIC CO., LTD. All Rights Reserved.

COUNT	DESCRIPTION OF REVISIONS	BY	CHKD	DATE	COUNT	DESCRIPTION OF REVISIONS	BY	CHKD	DATE
△					△				
△					△				
△					△				



NOTE 1. 1 TUBE : 28 CONNECTORS.
 2. THE DIMENSIONS IN PARENTHESES ARE FOR REFERENCE.

2		POLYVINYL CHLORIDE STOPPER	3		(CONNECTOR)
1		POLYVINYL CHLORIDE TUBE			
NO.	MATERIAL	FINISH, REMARKS	NO.	MATERIAL	FINISH, REMARKS
CODE NO.(OLD) CL			DRAWN	DESIGNED	CHECKED
			T.YANAGISAWA	T.YANAGISAWA	K.Ogawa
			'06.04.24	'06.04.24	'06.04.24
				H.Okawa	
				'06.04.24	
DRAWING NO. EDC3-150989-21			PART NO. FX8-40P-SV(91)		
SCALE FREE			CODE NO. CL578-0009-8-91		
UNITS mm			2		

TO