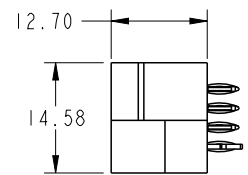
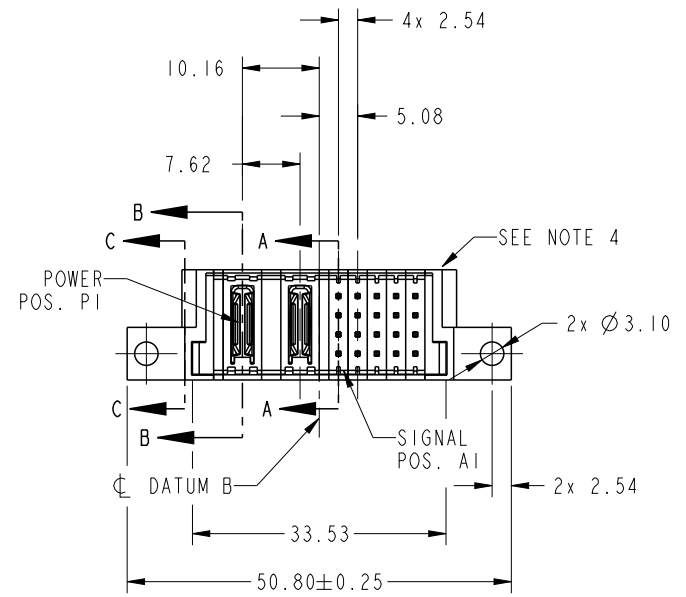
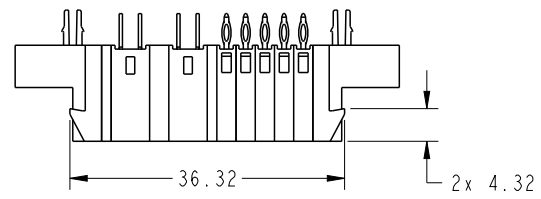
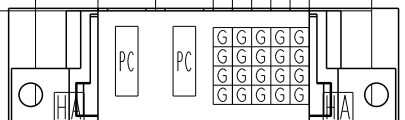




Copyright FCI.

PRODUCT NO. 51952-257-- NOTE ③	ROWS DCBA	POWER			SIGNAL					E2
		E1	P1	P2	1	2	3	4	5	



CODE	DIM "M" MATING LENGTH	CONTACT TYPE
PC	[N/A]	POWER
G	[6.86]	SIGNAL
HA	[N/A]	HOLD-DOWN

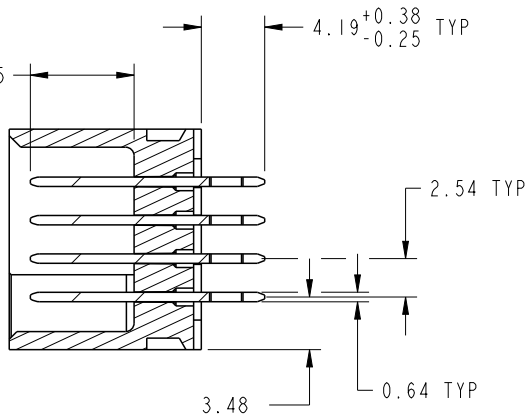
spec ref	See Notes			dr	Luo Weller	2013/08/12	projection 	MM ←→	size	A4	scale	1:1
tolerance std	TOLERANCES UNLESS OTHERWISE SPECIFIED			eng	Luo Weller	2013/11/26			ecn no	-		
See Notes				chr	-	-			rel level	Released		
surface	linear	0.X	±0.50	appr	Pei-Ming Zheng	2013/11/26	product family	PwrBlade	rev	A		
		0.XX	±0.25				title	2ACP+20S		dwg no	51952-257	
		0.XXX	±0.10				cat. no.	&model_name	Product - Customer Drw	sheet	1 of 4	
	angular	0°	±2°	www.fci.com			Product - Customer Drw		sheet 1 of 4			

ProjE File - REV C - 2009-06-09

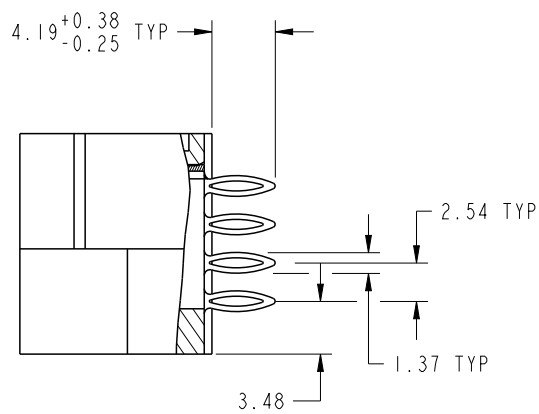
PRODUCT NUMBER

51952-257--
NOTE 3

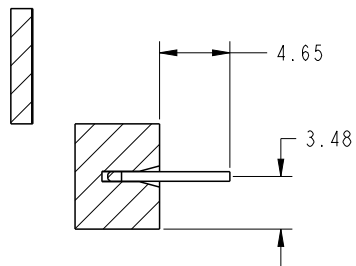
DIM "M" ±0.25



SECTION A-A
SCALE 2:1



SECTION B-B
SCALE 2:1



SECTION C-C
SCALE 2:1

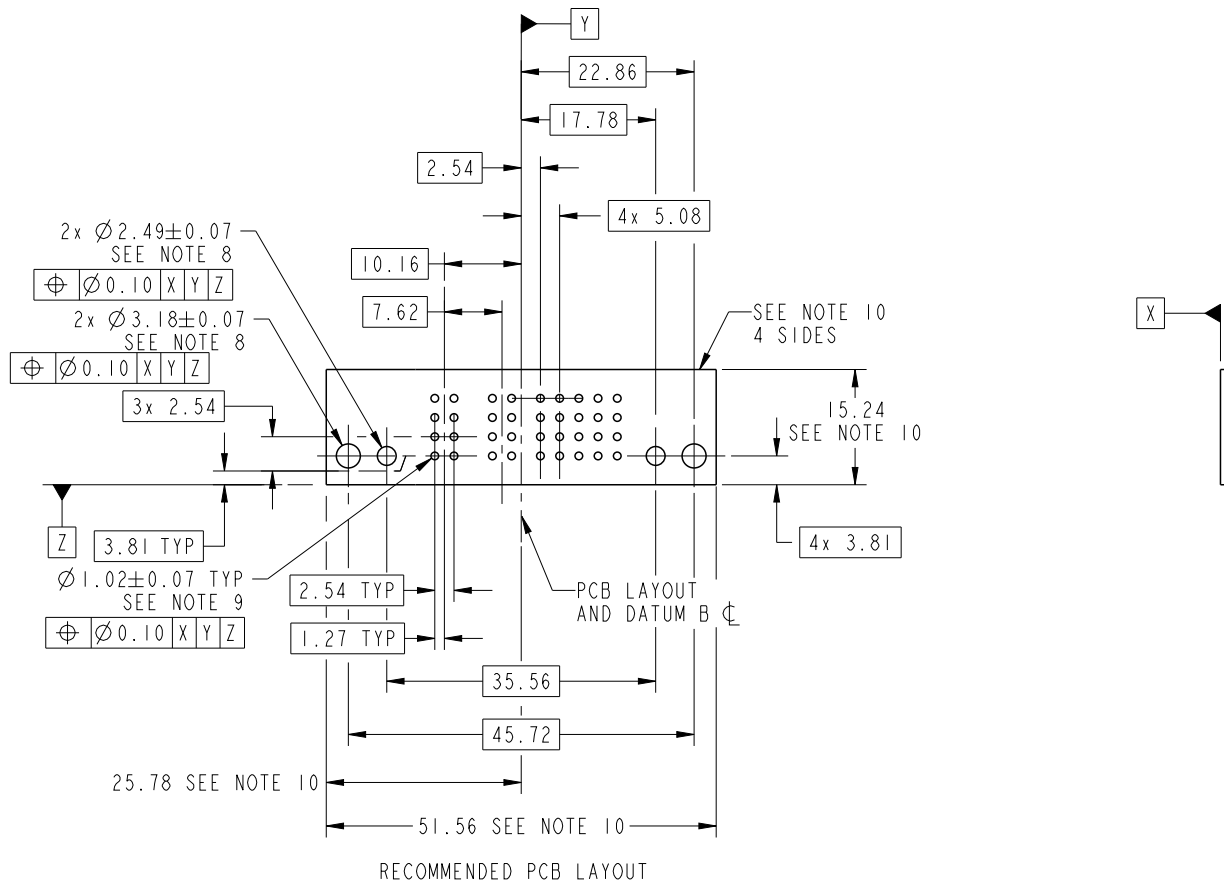
dr	Luo Weller	2013/08/12	projection 	MM 	size	A4	scale	1:1	
eng	Luo Weller	2013/11/26			ecn no	-			
chr	-	-			rel level	Released			
appr	Pei-Ming Zheng	2013/11/26	product family	PwrBlade					
		title	2ACP+20S VERTICAL PRESS-FIT HEADER		dwg no	51952-257		rev	A
www.fcj.com		cat. no.	&model_name	Product - Customer Drw		sheet 2 of 4			



Copyright FCI.

PRODUCT NUMBER

51952-257--
NOTE 3



dr	Luo Weller	2013/08/12	projection 	MM 	size	A4	scale	1:1	
eng	Luo Weller	2013/11/26			ecn no	-			
chr	-	-			rel level	Released			
appr	Pei-Ming Zheng	2013/11/26	product family	PwrBlade					
		title	2ACP+20S VERTICAL PRESS-FIT HEADER		dwg no	51952-257		rev	A
www.fci.com		cat. no.	&model_name	Product - Customer Drw		sheet 3 of 4			



PRODUCT NUMBER

51952-257--
NOTE 3

NOTES:

1. DIMENSIONS AND TOLERANCES ARE IN ACCORDANCE WITH ASME Y14.5M, 1994 UNLESS OTHERWISE SPECIFIED.

CONNECTOR NOTES:

- 2 HOUSING MATERIAL: UL 94 V-0 GLASS FILLED HIGH-TEMP THERMOPLASTIC
POWER CONTACT MATERIAL: COPPER ALLOY
SIGNAL PIN MATERIAL: COPPER ALLOY
 - 3. SEE ITEM 3 & 4 IN PRINT 10064183 FOR PLATING SPEC OF 51952-257 AND 51952-257LF RESPECTIVELY.
 - 4 MANUFACTURER'S NAME, DATE CODE AND OPTIONAL P/N TO APPEAR ON THIS SURFACE. THE MARK CAN BE OMITTED IF THERE IS NOT ENOUGH SPACE ON THIS SURFACE.
 - 5. PRODUCT SPECIFICATION GS-12-149.
APPLICATION SPECIFICATION BUS-20-067.
 - 6. PACKAGED IN TRAYS.
- PCB NOTES:
- 7. ALL HOLE DIAMETERS ARE FINISHED HOLE SIZE.
 - 8. MOUNTING HOLES, WHERE APPLICABLE, ARE UNPLATED.

9 $\varnothing 1.151 \pm 0.025$ DRILLED HOLES PLATED WITH 0.008 MIN SnPb OR Sn OVER .001 [0.03] TO 0.08 Cu PLATING TO ACHIEVE $\varnothing 1.02 \pm 0.07$ HOLE.

10 CONNECTOR KEEP-OUT ZONE.

11. FOR PRESS FIT APPLICATION USE FCI CAM TOOL 430169-XXX.



Copyright FCI.

dr	Luo Weller	2013/08/12	projection 	MM 	size	A4	scale	1:1			
eng	Luo Weller	2013/11/26			ecn no	-					
chr	-	-			product family	PwrBlade	rel level	Released			
appr	Pei-Ming Zheng	2013/11/26			title	2ACP+20S		dwg no	51952-257	rev	A
www.fci.com		cat. no.	&model_name	Product - Customer Drw			sheet 4 of 4				