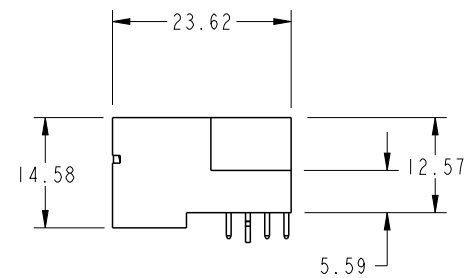
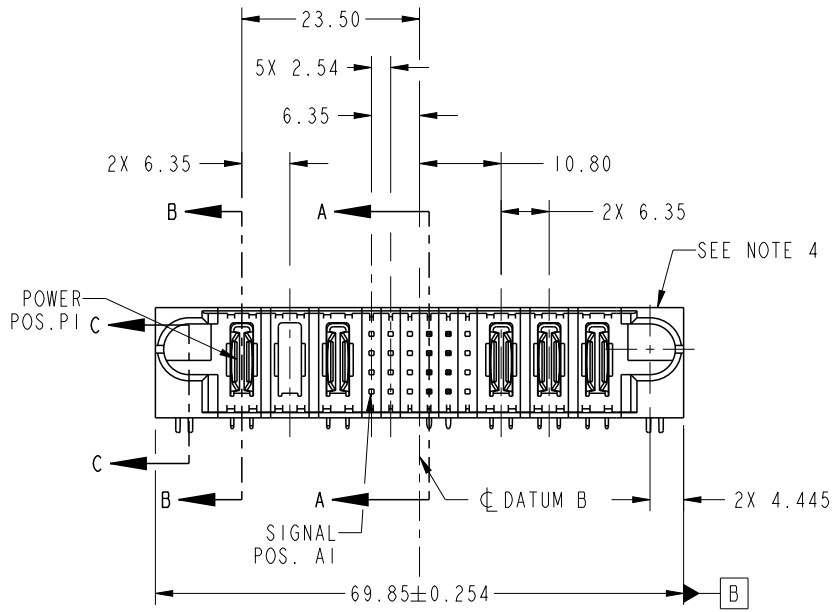


PRODUCT NO.	ROWS	POWER			SIGNAL						POWER			E2
		E1	P1	P2	P3	1	2	3	4	5	6	P4	P5	
51939-592-- NOTE 3	D C B A		PA	X	PA	XXXX	HH	GG	FF	EE	PA	PA	PA	



CODE	DIM "M" MATING LENGTH	CONTACT TYPE
H	[5.59]	SIGNAL
G	[5.59]	SIGNAL
F	[5.59]	SIGNAL
E	[5.59]	SIGNAL
PA	[N/A]	POWER
HA	[N/A]	HOLD-DOWN
X	OMITTED	

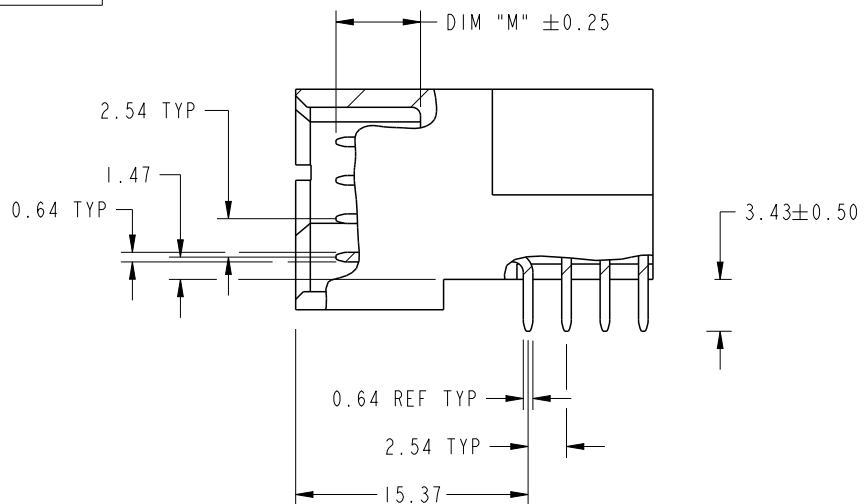
spec ref	SEE NOTE			dr	Anson Liu	2011/04/25	projection 	MM ←→	size	A4	scale	1:1
tolerance std	TOLERANCES UNLESS OTHERWISE SPECIFIED			eng	Ruan MT	2013/10/18			ecn no	-		
SEE NOTE				chr	-	-			rel level	Released		
surface	linear	0.X	± 0.50	FCI	www.fci.com	title	3P + 24S + 3P	dwg no	51939-592	rev	A	
		0.XX	± 0.25									
		0.XXX	± 0.10									
	angular	0°	± 2°	cat. no.	Product - Customer Drw			sheet 1 of 4				



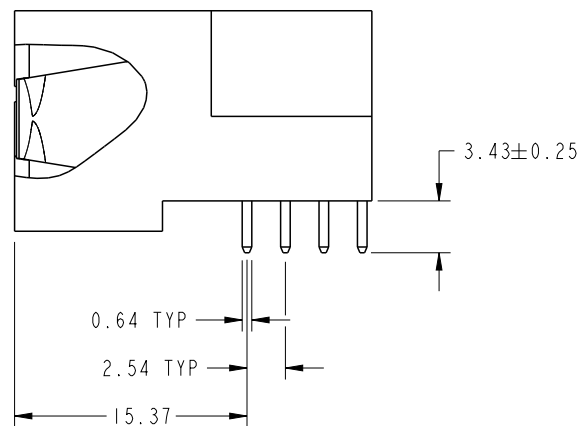
Copyright FCI.

PRODUCT NUMBER

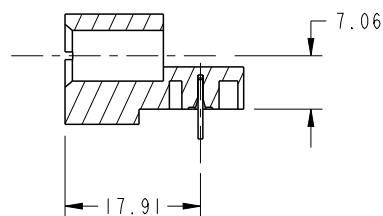
51939-592__
NOTE: 3



BROKEN-OUT SECTION A-A
SCALE 2:1



BROKEN-OUT SECTION B-B
SCALE 2:1

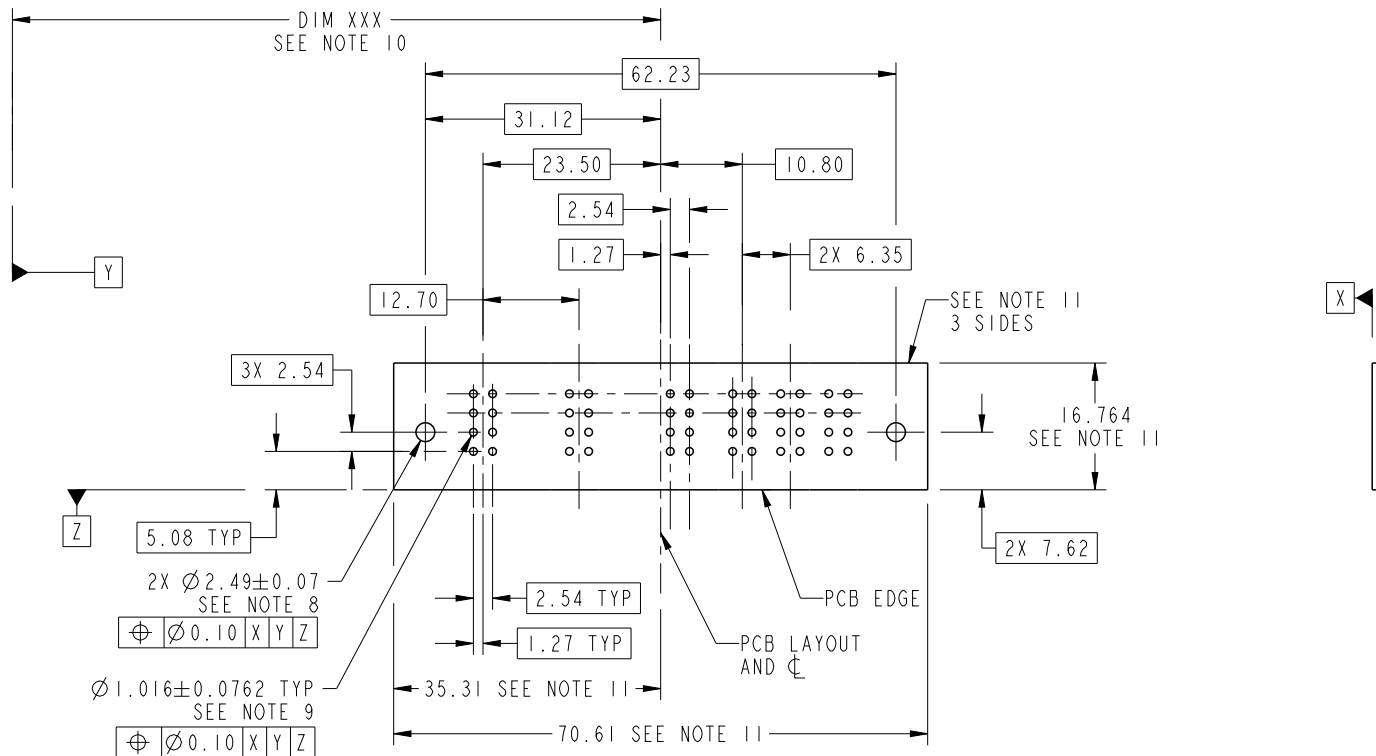


SECTION C-C

dr	Anson Liu	2011/04/25	projection 	MM 	size	A4	scale	1:1
eng	Ruan MT	2013/10/18			ecn no	-		
chr	-	-			rel level	Released		
appr	Pei-Ming Zheng	2013/10/18	product family	PwrBlade	rev	A		
	title	3P + 24S + 3P RIGHT ANGLE SOLDER HEADER		dwg no	51939-592	sheet 2 of 4		
www.fci.com	cat. no.	Product - Customer Drw			sheet 2 of 4			

PRODUCT NUMBER

51939-592--
NOTE: 3



RECOMMENDED PCB LAYOUT

dr	Anson Liu	2011/04/25	projection 	MM 	size	A4	scale	1:1
eng	Ruan MT	2013/10/18			ecn no	-		
chr	-	-			rel level	Released		
appr	Pei-Ming Zheng	2013/10/18	product family	PwrBlade	rev	A		
	title	3P + 24S + 3P RIGHT ANGLE SOLDER HEADER		dwg no	51939-592	sheet 3 of 4		
www.fci.com	cat. no.	Product - Customer Drw			sheet 3 of 4			

PRODUCT NUMBER
51939-592--
NOTE: 3

NOTES:

1. DIMENSIONS AND TOLERANCES ARE IN ACCORDANCE WITH ASME Y14.5M, 1994 UNLESS OTHERWISE SPECIFIED.

CONNECTOR NOTES:

- 2. HOUSING MATERIAL: UL 94 V-0 GLASS FILLED HIGH-TEMP THERMOPLASTIC
POWER CONTACT MATERIAL: COPPER ALLOY
SIGNAL PIN MATERIAL: COPPER ALLOY
- 3. SEE ITEM 1 & 2 IN PRINT 10064183 FOR PLATING SPEC OF 51939-592 AND 51939-592LF RESPECTIVELY.
- 4. MANUFACTURER'S NAME, P/N, AND DATE CODE TO APPEAR ON THIS SURFACE.
- 5. PRODUCT SPECIFICATION GS-12-149.
APPLICATION SPECIFICATION BUS-20-067.
- 6. PACKAGED IN TRAYS.

PCB NOTES:

- 7. ALL HOLE DIAMETERS ARE FINISHED HOLE SIZE.
- 8. MOUNTING HOLES, WHERE APPLICABLE, ARE UNPLATED.
- 9. $\varnothing 1.151 \pm 0.025$ DRILLED HOLES PLATED WITH
0.008 MIN SnPb OR Sn OVER 0.03
TO 0.08 Cu PLATING TO ACHIEVE
 $\varnothing 1.02 \pm .07$ HOLE.
- 10. "DIM XXX" TO BE DETERMINED BY THE CUSTOMER.
- 11. CONNECTOR KEEP-OUT ZONE.



Copyright FCI.

dr	Anson Liu	2011/04/25	projection 	MM 	size	A4	scale	1:1	
eng	Ruan MT	2013/10/18			ecn no	-			
chr	-	-							
appr	Pei-Ming Zheng	2013/10/18	product family	PwrBlade	rel level	Released			
		title	3P + 24S + 3P RIGHT ANGLE SOLDER HEADER		dwg no	51939-592		rev	A
www.fci.com		cat. no.	Product - Customer Drw			sheet 4 of 4			