



PE4210/4220/4230
EVALUATION KIT
USER'S MANUAL

6175 Nancy Ridge Drive, San Diego, CA 92121
(858) 455-0660, Fax (858) 455-0770
<http://www.peregrine-semi.com>

© Copyright 2000 Peregrine Semiconductor Corp. All rights reserved. Printed in the United States of America. No part of this publication may be reproduced, photocopied, stored in a retrieval system, or transmitted by electronic, mechanical or any other means without prior written permission of Peregrine Semiconductor Corp.

Peregrine Semiconductor Corp., the Peregrine logotype, and UTSi are registered trademarks of Peregrine Semiconductor Corp. PE4210, PE4220 and PE4230 are trademarks of Peregrine Semiconductor Corp.

Peregrine Semiconductor Corp. reserves the right to make improvements to the hardware, firmware or software described in this manual at any time and without notice. While the accompanying material has been carefully reviewed to insure the most accurate information possible, the data are not warranted for absolute accuracy or completeness and are subject to change without notification.

Peregrine Semiconductor Corp. Life Support Policy

Peregrine Semiconductor Corp. products are not intended for use in life-critical situations, or as critical components in life-support devices or systems.

Life-support devices or systems are defined as devices or systems that are intended for surgical implant into the body, or that support or sustain life, and whose failure to perform when used in accordance with the instructions provided by the manufacturer, might result in injury to the user.

This device is intended for use only in a research and development environment. It has not been tested for compliance with FCC regulations regarding interference with radio frequency energy. It might cause harmful interference with radio communications. The user assumes responsibility for any interference caused by this device.

Applications Support

If you have a problem with your evaluation kit or the software, or if you have applications questions call (858) 455-0660 and ask for applications support.

You may also contact us by fax or e-mail:

Fax: (858) 455-0770

E-Mail: help@peregrine-semi.com

FCC Labeling Requirement

This device complies with Part 15 of the FCC Rules. Operation is subject to the following two conditions: (1) this device may cause harmful interference, and (2) this device must accept any interference received including interference that may cause undesired operation.

Table of Contents

Special Handling.....	4
DC Bias Requirements.....	4
Table 1: DC Input Bias Conditions	4
DC Connection.....	4
RF Connection and Attached Data.....	5
Table 2: RF Inputs.....	5
Calibration.....	5
Figure 1: 42XX SPDT RF Switch Evaluation Board.....	5
Switch Test Setup.....	6
Figure 2: Switch Test Setup.....	6

Special Handling

The following precautions should be taken when handling these devices to prevent ESD/EOS damage:

- These devices are ESD sensitive and should be handled using acceptable ESD handling procedures.
- The PE4210, PE4220 & PE4230 were designed to operate with a 3.0V DC supply. Care should be taken to avoid operating the part below 2.7V and above 3.3V.
- RF power levels should be restricted to below 33dBm maximum available power for the PE4230, 23dBm for the PE4220 and 17dBm for the PE4210.
- Testing must be restricted to above 50MHz.

DC Bias Requirements

The switch has three DC connections described in the following table.

When the device is powered up V_{DD} current should be between 20-40uA for the PE4230 and PE4220 and < 1uAmp for the PE4210.

Table 1 below describes how to DC bias the PE42XX RF Switch samples. Voltages should be restricted to 2.7-3.3 Volts for V_{DD} . Voltages should be 0 or V_{DD} for the Ctl voltage. All attached RF data is for V_{DD} =3.0Volts (nominal supply)

Table 1: DC Input Bias Conditions

DC Connection	Where	Voltage
V_{DD}	V_{DD} on PCB	3.0Volts at (20-40uAmps for the 4230 and 4220...) (<1uAmp for the 4210)
Ctl	Ctl on PCB	3.0Volts for RFin to RF1 0.0Volts for RFin to RF2 (Less than 1uAmp) RFin is J1 on PCB RF1 is J3 on PCB RF2 is J4 on PCB
GND	Even number pins on J2 (connector J2 is clearly marked on the PCB)	0.0Volts or ground.

RF Connection and Attached Data

The 42XX switches have three RF connections. Table 2 below describes how to connect RF to the SMA connectors of the PCB. Note that RFin is connected to RF1 for Ctl= V_{DD} and RFin is connected to RF2 for Ctl=0.0Volts.

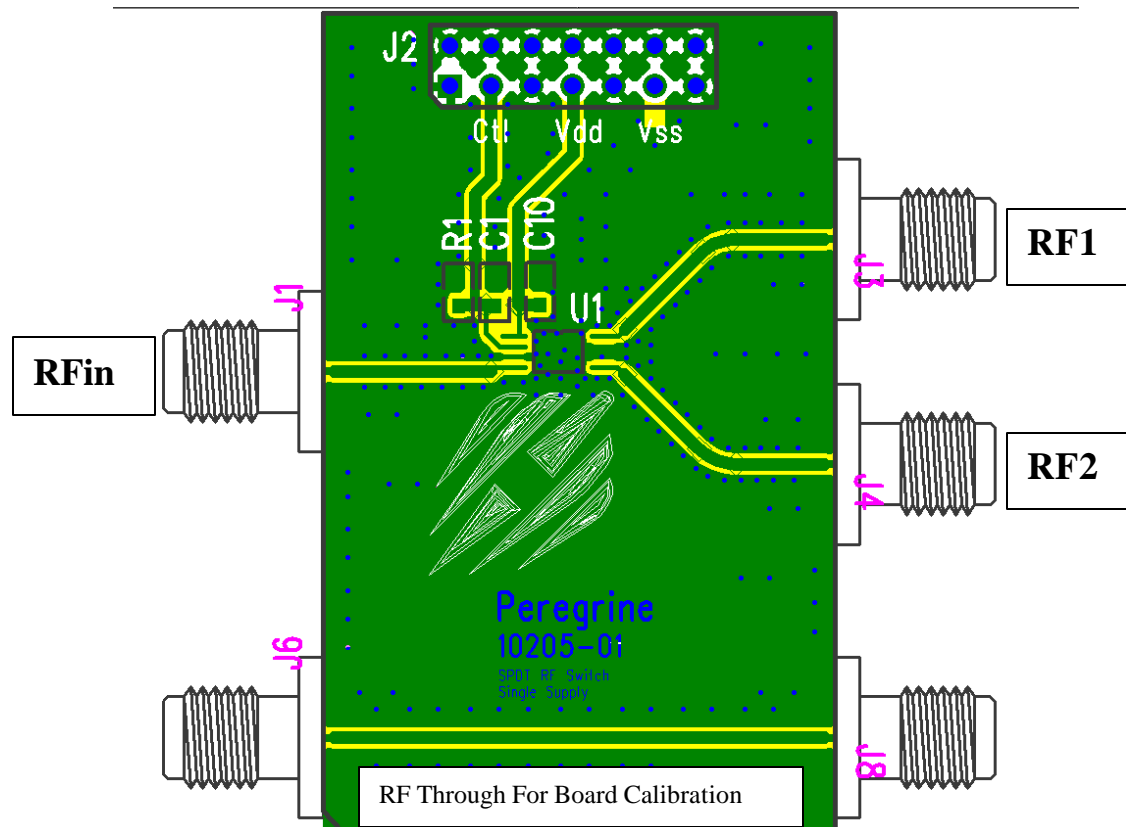
Table 2: RF Inputs

RF Connection	Where
RFin	SMA connector J1
RF1	SMA connector J3
RF2	SMA connector J4

Calibration

When the test fixture is calibrated the thru on the demo board should be used (J6 & J8 in Figure 1). In the attached data all small signal parameters and the 1dB compression point were determined using standard calibration with the demo board used as the thru.

Figure 1: 42XX SPDT RF Switch Evaluation Board



Switch Test Setup

Figure 3 below shows the test configuration used by Peregrine to evaluate the 42XX. The data included with the 42XX evaluation kit was taken using the test configuration below.

Figure 2: Switch Test Setup

RFIC Tester Matrix Switch

