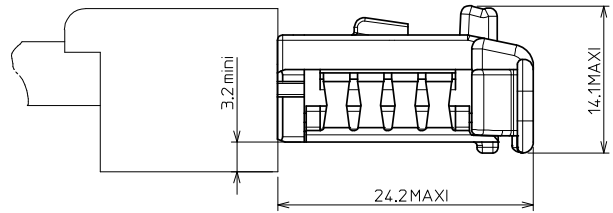
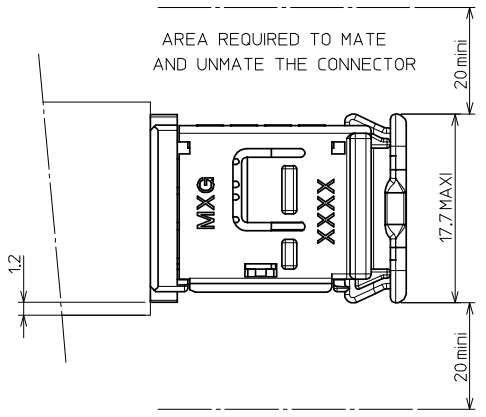


CODING 4:1

HANDLING AREA

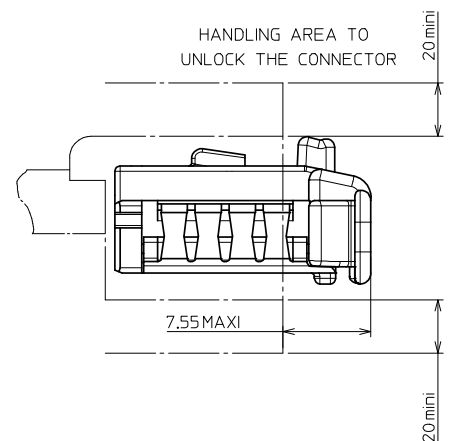


NOTE : 1 - The using conditions of the hinge are showed in the MOLEX specification n°AS-98821-001.

- 2 - Female terminal used : SCC RCPT TERM 1.5mm
  - Range 1 : 0988971109 (0.22 mm<sup>2</sup> to 2x0.22 mm<sup>2</sup>)
  - Range 2 : 0988971119 (0.5 mm<sup>2</sup> to 1 mm<sup>2</sup> included)
  - Range 3 : 0988971129 (2x0.5 mm<sup>2</sup> to 2 mm<sup>2</sup> included)

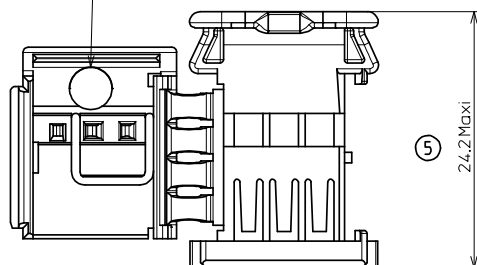
3 - Female connector will mate with male connector P/N 098822103x.

AREA REQUIRED WHEN THE CONNECTOR IS MATED



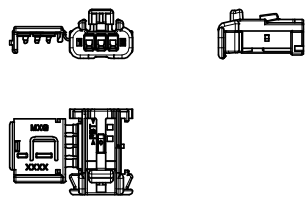
<b>FIRST RELEASE</b> EC NO: G2007-0386 DRAWN: LPOUCHAUD 2008/03/10 CHKD: YIGEL 2008/03/10 APPR: LSTICKEIR 2008/03/10	QUALITY SYMBOLS 	GENERAL TOLERANCES (UNLESS SPECIFIED)		DIMENSION STYLE <b>MM ONLY</b>	SCALE <b>3:1</b>	DESIGN UNITS <b>METRIC</b>	THIRD ANGLE PROJECTION	
		4 PLACES ± --- ± ---	mm INCH	DRAWN BY LPOUCHAUD	DATE 2008/02/21	TITLE NSCC RCPT HSG 1.5 3CKT		
		3 PLACES ± --- ± ---		CHECKED BY YIGEL	DATE 2008/02/22			
		2 PLACES ± 0.05 ± ---		APPROVED BY LSTICKEIR	DATE 2008/02/27	<b>MOLEX INCORPORATED</b>	DOCUMENT NO. <b>SD-98817-002</b>	SHEET NO. 1 OF 2
1 PLACE ± 0.1 ± ---		ANGULAR ± 1 °		MATERIAL NO.				
DRAFT WHERE APPLICABLE MUST REMAIN WITHIN DIMENSIONS		SEE CHART		THIS DRAWING CONTAINS INFORMATION THAT IS PROPRIETARY TO MOLEX INCORPORATED AND SHOULD NOT BE USED WITHOUT WRITTEN PERMISSION				

DATUM MONTH/YEAR

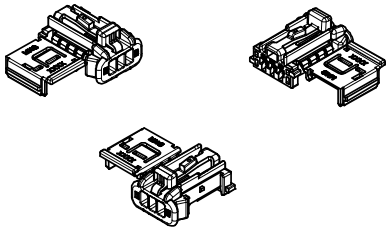


5

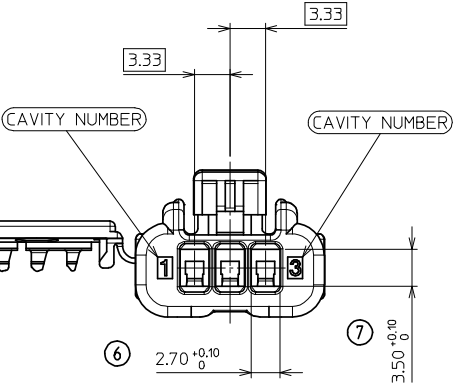
24.2 Max



1:1



1:1

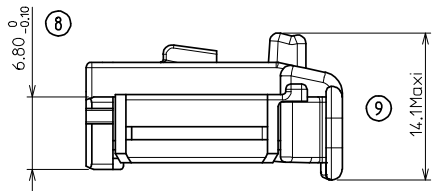


6

2.70 +0.10/0

7

3.50 +0.10/0



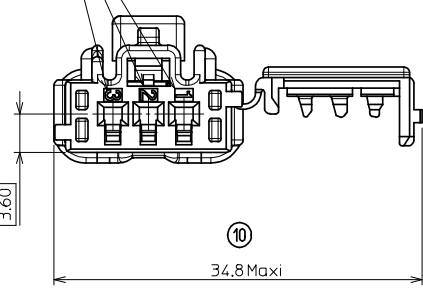
8

6.80 0/-0.10

9

14.1 Max

CAVITY NUMBER



10

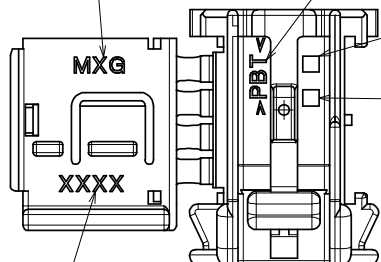
34.8 Max

SUPPLIER ENGINEERING CONTROL ID

RAW MATERIAL

PRINT NUMBER

SUPPLIER MODIFICATION LEVEL



SUPPLIER PART NUMBER

GREEN CODING (P/N 0988171035) IS SHOWN.

NSCC Rcpt Hsg 15 3CKT		0988171035	Green	POLYESTER (PBT)	2.149 g				
		0988171031	Black						
		0988171030	White						
Description		Part-Number	Color	Raw Material	Weight effective				
<b>FIRST RELEASE</b> EC NO: G2007-0386 DRAWN: LPOUCHAUD 2008/03/10 CHKD: YIGEL 2008/03/10 APPR: LSTICKEIR 2008/03/10	QUALITY SYMBOLS 	GENERAL TOLERANCES (UNLESS SPECIFIED)		DIMENSION STYLE	SCALE	DESIGN UNITS	THIRD ANGLE PROJECTION		
				MM ONLY	1:1	METRIC			
				4 PLACES ± ---	± ---	DRAWN BY		DATE	
				3 PLACES ± ---	± ---	LPOUCHAUD		2008/02/21	
		2 PLACES ± 0.05	± ---	CHECKED BY		DATE			
		1 PLACE ± 0.1	± ---	YIGEL		2008/02/22			
		ANGULAR ± 1°		APPROVED BY		DATE			
				LSTICKEIR		2008/02/27			
		DRAFT WHERE APPLICABLE MUST REMAIN WITHIN DIMENSIONS		MATERIAL NO.					
				SEE CHART					
				SIZE					
				A 2					
				THIS DRAWING CONTAINS INFORMATION THAT IS PROPRIETARY TO MOLEX INCORPORATED AND SHOULD NOT BE USED WITHOUT WRITTEN PERMISSION					
				TITLE					
				NSCC RCPT HSG 1.5 3CKT					
				MOLEX		MOLEX INCORPORATED			
				DOCUMENT NO.					
				SD-98817-002					
				SHEET NO.					
				2 OF 2					