

MATERIALS AND FINISHES

BODY BRASS
PLATED NICKEL

CENTER CONTACT BRASS
PLATED SILVER

INSULATOR TEFLON

SLEEVE,NUT BRASS
PLATED NICKEL

COUPLING NUT BRASS
PLATED NICKEL

WASHER STEEL
PLATED NICKEL

GASKET SILICONE RUBBER

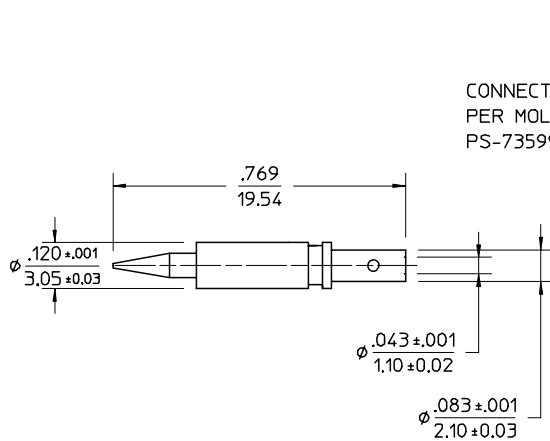
CABLE ATTACHMENT:

INNER CONTACT----SOLDER

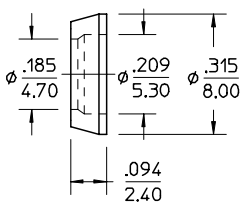
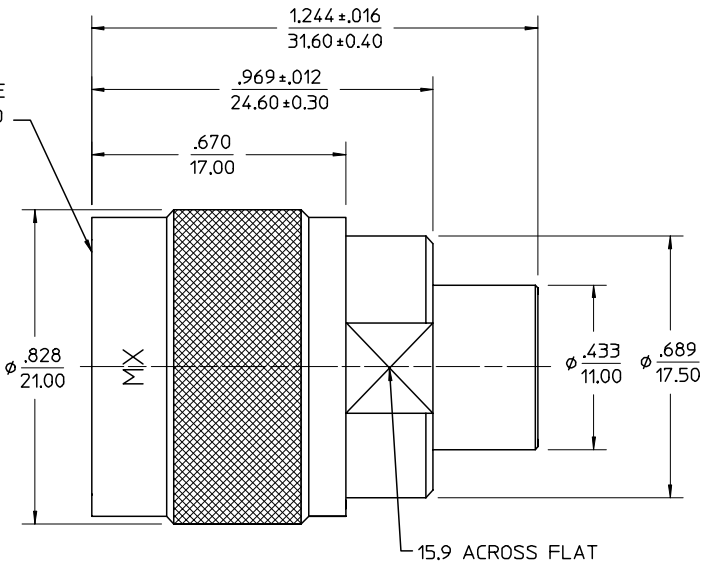
OUTER CONDUCTOR--MECHANICAL CLAMP

PACKAGING: INDIVIDUAL PLASTIC BAGS.

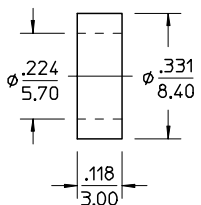
PART # 73257-5001



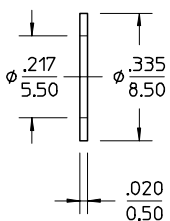
CONNECTOR INTERFACE
PER MOLEX STANDARD
PS-73599-0000



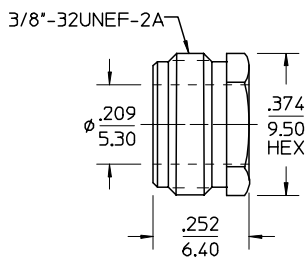
SLEEVE



GASKET



WASHER



CLAMP NUT

PS-73598-0028	PRODUCT SPECIFICATION
AS-89678-8990	ASSEMBLY INSTRUCTION
SPECIFICATION	DESCRIPTION

CHG: AS-89678-8990 WAS ES-73597-0033 TITLE CHG. 'SD' WAS 'SDA' EC NO. RF03-134 DRWN: CLAIRE 05/21/03 CHK: JOHNSON APPR: MISEN	DESCRIPTION
	REV B

UNLESS OTHERWISE SPECIFIED DIMS ARE INCHES AND ANGLES ARE DEGREES.

- ✓ 63 ALL OVER.
- NO CHATTER OR NON-UNIFORM SURFACE FINISH ALLOWED.
- PARTS TO BE FREE OF BURRS & SHARP EDGES .005 MAX BREAK.
- EXTERNAL THREADS TO BE ROLLED OR SINGLE POINT.
- DIAMETERS TO BE CONCENTRIC WITHIN .003 TIR.

QUALITY SYMBOLS
MAJOR
CRITICAL

GENERAL TOLERANCES: (UNLESS SPECIFIED)	SCALE	DESIGN UNITS	THIRD ANGLE PROJECTION
4 PLACES * — * —	mm	mm	mm ONLY
3 PLACES * — * —	INCH	INCH	INCH ONLY
2 PLACES * .13 * —			
1 PLACE * .25 * —			
ANGULAR: ±2°			
DRAFT WHERE APPLICABLE MUST REMAIN WITHIN DIMENSIONS			

DRAWN BY & DATE C.M.HUNG 93/03/19	TITLE: N STRAIGHT PLUG RG58C/U, RG141A/U CLAMP/SOLDER
CHECKED BY & DATE	
APPROVED BY & DATE	
CAD FILENAME	

MATERIAL NO. SEE NOTE	DRAWING NO. SD-73257-5001	SHEET NO. 1 of 1
--------------------------	------------------------------	---------------------

THIS DRAWING CONTAINS INFORMATION THAT IS PROPRIETARY TO MOLEX INCORPORATED AND SHOULD NOT BE USED WITHOUT WRITTEN PERMISSION.