



# **MCP1650 Multiple White LED Demo Board User's Guide**

---

---

**Note the following details of the code protection feature on Microchip devices:**

- Microchip products meet the specification contained in their particular Microchip Data Sheet.
- Microchip believes that its family of products is one of the most secure families of its kind on the market today, when used in the intended manner and under normal conditions.
- There are dishonest and possibly illegal methods used to breach the code protection feature. All of these methods, to our knowledge, require using the Microchip products in a manner outside the operating specifications contained in Microchip's Data Sheets. Most likely, the person doing so is engaged in theft of intellectual property.
- Microchip is willing to work with the customer who is concerned about the integrity of their code.
- Neither Microchip nor any other semiconductor manufacturer can guarantee the security of their code. Code protection does not mean that we are guaranteeing the product as "unbreakable."

Code protection is constantly evolving. We at Microchip are committed to continuously improving the code protection features of our products. Attempts to break Microchip's code protection feature may be a violation of the Digital Millennium Copyright Act. If such acts allow unauthorized access to your software or other copyrighted work, you may have a right to sue for relief under that Act.

---

Information contained in this publication regarding device applications and the like is provided only for your convenience and may be superseded by updates. It is your responsibility to ensure that your application meets with your specifications. MICROCHIP MAKES NO REPRESENTATIONS OR WARRANTIES OF ANY KIND WHETHER EXPRESS OR IMPLIED, WRITTEN OR ORAL, STATUTORY OR OTHERWISE, RELATED TO THE INFORMATION, INCLUDING BUT NOT LIMITED TO ITS CONDITION, QUALITY, PERFORMANCE, MERCHANTABILITY OR FITNESS FOR PURPOSE. Microchip disclaims all liability arising from this information and its use. Use of Microchip's products as critical components in life support systems is not authorized except with express written approval by Microchip. No licenses are conveyed, implicitly or otherwise, under any Microchip intellectual property rights.

**Trademarks**

The Microchip name and logo, the Microchip logo, Accuron, dsPIC, KEELOQ, microID, MPLAB, PIC, PICmicro, PICSTART, PRO MATE, PowerSmart, rfPIC, and SmartShunt are registered trademarks of Microchip Technology Incorporated in the U.S.A. and other countries.


AmpLab, FilterLab, Migratable Memory, MXDEV, MXLAB, PICMASTER, SEEVAL, SmartSensor and The Embedded Control Solutions Company are registered trademarks of Microchip Technology Incorporated in the U.S.A.

Analog-for-the-Digital Age, Application Maestro, dsPICDEM, dsPICDEM.net, dsPICworks, ECAN, ECONOMONITOR, FanSense, FlexROM, fuzzyLAB, In-Circuit Serial Programming, ICSP, ICEPIC, Linear Active Thermistor, MPASM, MPLIB, MPLINK, MPSIM, PICKit, PICDEM, PICDEM.net, PICLAB, PICtail, PowerCal, PowerInfo, PowerMate, PowerTool, rLAB, rfPICDEM, Select Mode, Smart Serial, SmartTel, Total Endurance and WiperLock are trademarks of Microchip Technology Incorporated in the U.S.A. and other countries.

SQTP is a service mark of Microchip Technology Incorporated in the U.S.A.

All other trademarks mentioned herein are property of their respective companies.

© 2005, Microchip Technology Incorporated, Printed in the U.S.A., All Rights Reserved.

 Printed on recycled paper.

**QUALITY MANAGEMENT SYSTEM  
CERTIFIED BY DNV  
== ISO/TS 16949:2002 ==**

*Microchip received ISO/TS-16949:2002 quality system certification for its worldwide headquarters, design and wafer fabrication facilities in Chandler and Tempe, Arizona and Mountain View, California in October 2003. The Company's quality system processes and procedures are for its PICmicro® 8-bit MCUs, KEELOQ® code hopping devices, Serial EEPROMs, microperipherals, nonvolatile memory and analog products. In addition, Microchip's quality system for the design and manufacture of development systems is ISO 9001:2000 certified.*



# MCP1650 MULTIPLE WHITE LED DEMO BOARD USER'S GUIDE

---

---

## Table of Contents

---

---

<b>Preface</b> .....	<b>1</b>
<b>Chapter 1. Product Overview</b>	
1.1 Introduction .....	5
1.2 What is the MCP1650 Multiple White LED Demo Board? .....	6
1.3 What the MCP1650 Multiple White LED Demo Board Kit Includes .....	6
<b>Chapter 2. Installation and Operation</b>	
2.1 Introduction .....	7
2.2 Features .....	7
2.3 Getting Started .....	8
<b>Appendix A. Schematic and Layouts</b>	
A.1 Introduction .....	13
A.2 Board – Schematic .....	14
A.3 Board – Top Assembly .....	15
A.4 Board – Top Metal Layer .....	15
A.5 Board – Bottom Metal Layer .....	16
<b>Appendix B. Bill Of Materials (BOM)</b>	
<b>Appendix C. Demo Board Firmware</b>	
C.1 Device Firmware .....	19
<b>Worldwide Sales and Service</b> .....	<b>20</b>

# MCP1650 Multiple White LED Demo Board User's Guide

---

---

NOTES:



# MCP1650 MULTIPLE WHITE LED DEMO BOARD USER'S GUIDE

---

---

## Preface

---

---

### NOTICE TO CUSTOMERS

All documentation becomes dated, and this manual is no exception. Microchip tools and documentation are constantly evolving to meet customer needs, so some actual dialogs and/or tool descriptions may differ from those in this document. Please refer to our web site ([www.microchip.com](http://www.microchip.com)) to obtain the latest documentation available.

Documents are identified with a "DS" number. This number is located on the bottom of each page, in front of the page number. The numbering convention for the DS number is "DSXXXXA", where "XXXX" is the document number and "A" is the revision level of the document.

For the most up-to-date information on development tools, see the MPLAB® IDE on-line help. Select the Help menu, and then Topics to open a list of available on-line help files.

## INTRODUCTION

This chapter contains general information that will be useful to know before using the MCP1650 Multiple White LED Demo Board. Items discussed in this chapter include:

- Document Layout
- Conventions Used in this Guide
- Recommended Reading
- The Microchip Web Site
- Customer Support
- Document Revision History

## DOCUMENT LAYOUT

This document describes how to use the MCP1650 Multiple White LED Demo Board. The manual layout is as follows:

- **Chapter 1. "Product Overview"** – Important information about the MCP1650 Multiple White LED Demo Board.
- **Chapter 2. "Installation and Operation"** – Includes a detailed description of each function, as well as instructions on how to get started with this board.
- **Appendix A. "Schematic and Layouts"** – Shows the schematic and layout diagrams for the MCP1650 Multiple White LED Demo Board.
- **Appendix B. "Bill Of Materials (BOM)"** – Lists the parts to build the MCP1650 Multiple White LED Demo Board.
- **Appendix C. "Demo Board Firmware"** – Provides information about the application firmware and where the source code can be obtained.

# MCP1650 Multiple White LED Demo Board User's Guide

## CONVENTIONS USED IN THIS GUIDE

This manual uses the following documentation conventions:

### DOCUMENTATION CONVENTIONS

Description	Represents	Examples
<b>Arial font:</b>		
Italic characters	Referenced books	<i>MPLAB<sup>®</sup> IDE User's Guide</i>
	Emphasized text	...is the <i>only</i> compiler...
Initial caps	A window	the Output window
	A dialog	the Settings dialog
	A menu selection	select Enable Programmer
Quotes	A field name in a window or dialog	"Save project before build"
Underlined, italic text with right angle bracket	A menu path	<u><i>File&gt;Save</i></u>
Bold characters	A dialog button	Click <b>OK</b>
	A tab	Click the <b>Power</b> tab
'bnnnn'	A binary number where <i>n</i> is a digit	'b00100', 'b10'
Text in angle brackets < >	A key on the keyboard	Press <Enter>, <F1>
<b>Courier New font:</b>		
Plain Courier New	Sample source code	#define START
	Filenames	autoexec.bat
	File paths	c:\mcc18\h
	Keywords	_asm, _endasm, static
	Command-line options	-Opa+, -Opa-
	Bit values	0, 1
Italic Courier New	A variable argument	<i>file.o</i> , where <i>file</i> can be any valid filename
0xnnnn	A hexadecimal number where <i>n</i> is a hexadecimal digit	0xFFFF, 0x007A
Square brackets [ ]	Optional arguments	mcc18 [options] <i>file</i> [options]
Curly brackets and pipe character: {   }	Choice of mutually exclusive arguments; an OR selection	errorlevel {0 1}
Ellipses...	Replaces repeated text	var_name [, var_name...]
	Represents code supplied by user	void main (void) { ... }

## RECOMMENDED READING

This user's guide describes how to use MCP1650 Multiple White LED Demo Board. The following Microchip documents are available and recommended as supplemental reference resources.

### **MCP1650 Data Sheet, "750 kHz Boost Controller" (DS21876)**

This data sheet provides detailed information regarding the MCP1650 product family.

## THE MICROCHIP WEB SITE

Microchip provides online support via our web site at [www.microchip.com](http://www.microchip.com). This web site is used as a means to make files and information easily available to customers. Accessible by using your favorite Internet browser, the web site contains the following information:

- **Product Support** – Data sheets and errata, application notes and sample programs, design resources, user's guides and hardware support documents, latest software releases and archived software
- **General Technical Support** – Frequently Asked Questions (FAQs), technical support requests, online discussion groups, Microchip consultant program member listing
- **Business of Microchip** – Product selector and ordering guides, latest Microchip press releases, listing of seminars and events, listings of Microchip sales offices, distributors and factory representatives

## CUSTOMER SUPPORT

Users of Microchip products can receive assistance through several channels:

- Distributor or Representative
- Local Sales Office
- Field Application Engineer (FAE)
- Technical Support
- Development Systems Information Line

Customers should contact their distributor, representative or field application engineer (FAE) for support. Local sales offices are also available to help customers. A listing of sales offices and locations is included in the back of this document.

Technical support is available through the web site at: <http://support.microchip.com>

## DOCUMENT REVISION HISTORY

### Revision A (November 2005)

- Initial Release of this Document.

# MCP1650 Multiple White LED Demo Board User's Guide

---

---

NOTES:



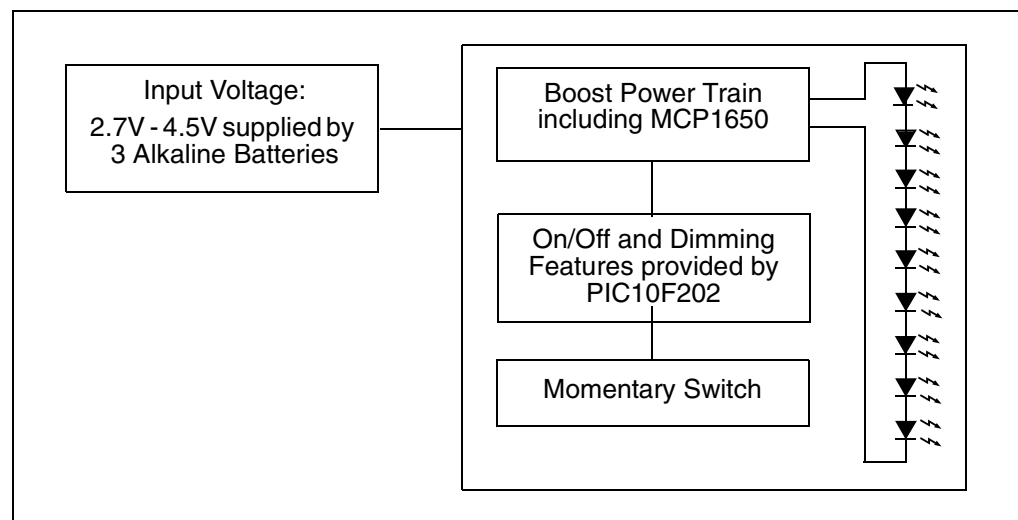
## Chapter 1. Product Overview

### 1.1 INTRODUCTION

The number of applications that utilize white LEDs has steadily increased due to the extended usage of Liquid Crystal Displays (LCDs) in automotive and cellular telephone displays, PDAs, handheld electronic games and computer monitors. In order to view the information on these displays, a light source is needed. Typically, this light source has been provided by Cold Cathode Fluorescent Tubes (CCFT). New product designs are using White or Blue LEDs as the backlighting source. The MCP1650 is an excellent choice for driving nine white LEDs with an efficiency of 80%. The peak intensity is set by the feedback (FB) to the MCP1650. Dimming is accomplished by pulse-width modulating the shutdown pin of the device.

This chapter covers the following topics:

- What is the MCP1650 Multiple White LED Demo Board?
- What the MCP1650 Multiple White LED Demo Board Kit includes?



**FIGURE 1-1:** MCP1650 Multiple White LED Demo Board Block Diagram.

## 1.2 WHAT IS THE MCP1650 MULTIPLE WHITE LED DEMO BOARD?

The MCP1650 Multiple White LED Demo Board demonstrates the use of a conventional boost topology in a LED application. The board also serves as a platform to evaluate the MCP1650 boost controller.

Since designers are tasked with improving efficiency, lowering cost and decreasing size, white LEDs are now being used. Powering white LEDs, which have a forward drop ( $V_F$ ) of 3.6V, typically becomes more difficult when the application requires multiple LEDs. It also requires the output current to be maintained constant with the degrading battery life and temperature variation. In the MCP1650 Multiple White LED Demo Board, a solution using the MCP1650 is discussed and shown to be greater than 80% efficient and also controls the intensity of the LEDs through the PIC10F microcontroller. The intensity of the LEDs can be controlled through a momentary switch.

The MCP1650 Multiple White LED Demo Board demonstrates the use of the PIC10F microcontroller in controlling the intensity of the nine white LEDs connected in series. The board also serves the purpose of evaluating the MCP1650 device.

The design of the demo board is done with boost controller IC MCP1650, which is capable of generating an output voltage of over 100V. The MCP1650 family has numerous features that include soft-start operation, peak inductor current monitoring, scalable external MOSFET, a shutdown pin for external control, low battery detect and a power good output. The MCP1650 can be configured in either, the conventional boost topology (Figure 1-1), a boot-strapped boost topology or a SEPIC topology. The output voltage of the boost converter is determined by the number of LEDs being driven and accordingly, the external MOSFET, Schottky diode and the output capacitor need to be selected.

The feedback voltage ( $V_{FB}$ ) for the MCP1650 is 1.22V. This is only 4% of the total output voltage when powering nine white LEDs. When the voltage developed across the sense resistor ( $R_{SENSE}$ ) is below the internal reference voltage, the internal oscillator is gated on and the external N-channel MOSFET is pulsed on and off to transfer energy from the source to the load. This continues until the voltage across  $R_{SENSE}$  is above the 1.22V threshold, gating off the internal oscillator.

## 1.3 WHAT THE MCP1650 MULTIPLE WHITE LED DEMO BOARD KIT INCLUDES

This MCP1650 Multiple White LED Demo Board kit includes:

- MCP1650 Multiple White LED Demo Board
- MCP1650 Multiple White LED Demo Board User's Guide



# MCP1650 MULTIPLE WHITE LED DEMO BOARD USER'S GUIDE

---

---

## Chapter 2. Installation and Operation

---

---

### 2.1 INTRODUCTION

The MCP1650 Multiple White LED Demo Board uses the MCP1650 IC to power the nine white LEDs which are connected in series. A PIC10F202 microcontroller in a SOT-23 6 pin package is used to provide the PWM signal to the MCP1650. It also accepts a push button input that allows the user to adjust the white LED's to three different intensities of 100%, 50% and 25%.

The PIC10F202 microcontroller is programmable, allowing the user to modify or develop their own firmware routines to further evaluate the MCP1650 in this application.

### 2.2 FEATURES

The MCP1650 Multiple White LED Demo Board has the following features:

- Programmed MCP1650 White LED intensity control via the PIC10F202
- Nine white LEDs connected in series
- PIC10F202 is used to generate the PWM signal which controls the intensity of the LEDs
- Push button selection for three levels of intensity control
- Includes one battery holder for three AA batteries (batteries not included)

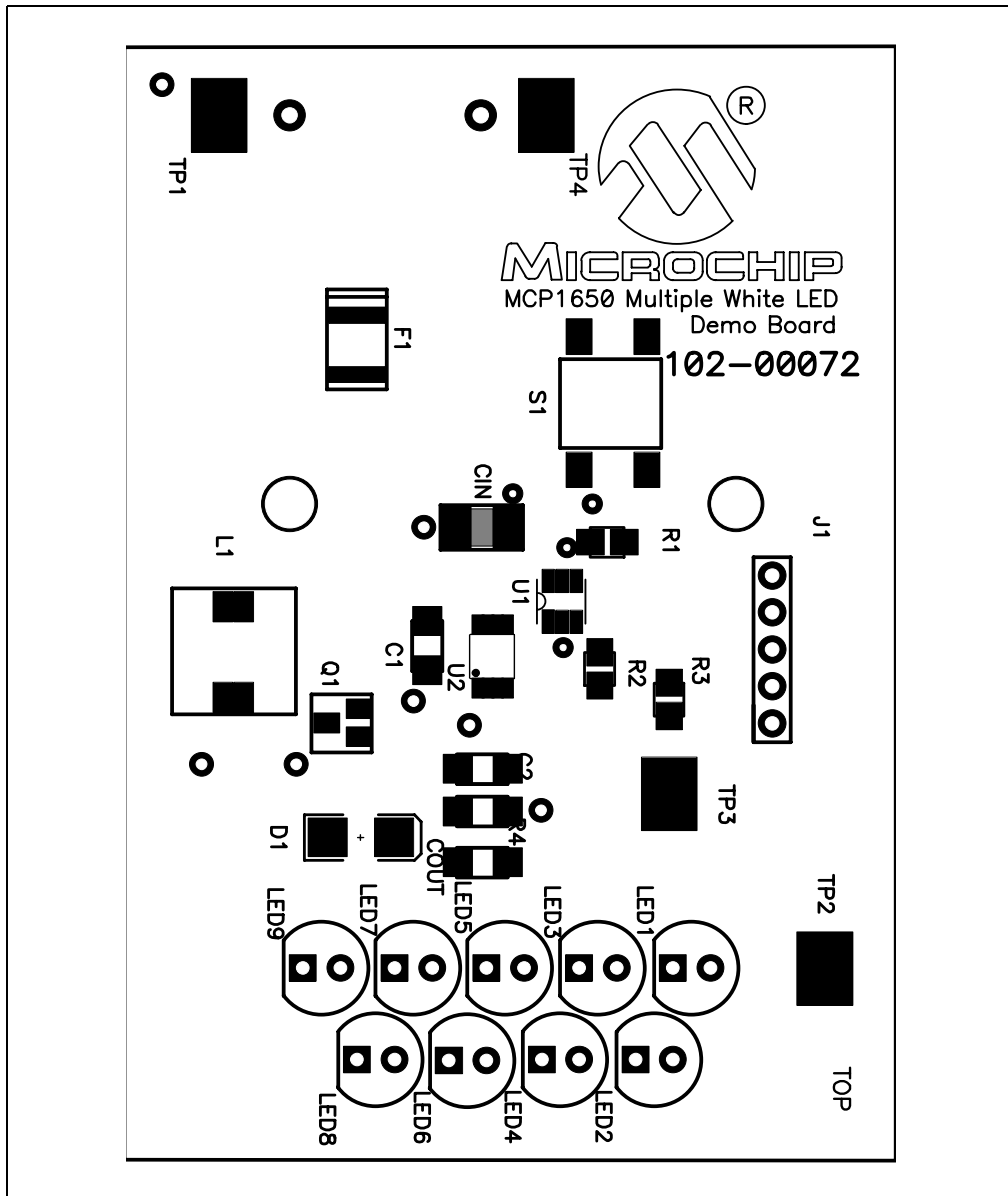
## 2.3 GETTING STARTED

The MCP1650 Multiple White LED Demo Board comes fully assembled and tested. The board requires three AA batteries as a power source for the application.

### 2.3.1 Powering the MCP1650 Multiple White LED Demo Board

Insert three AA batteries into the battery pack provided on the bottom of the board. As soon as the system powers up, the internal program of the PIC10F202 will initialize and remain in a low-power Sleep mode ( $<0.1 \mu\text{A}$ ) until the S1 button is pressed by the user.

The MCP1650 Multiple White LED Demo Board does not need a power switch or power jumper because of the "Stand-by" or "Sleep" mode of the PIC10F202 microcontroller and low shutdown current of the MCP1650. Upon entering Sleep mode, the system requires less than  $0.1 \mu\text{A}$  (typ) of current. So, with three AA batteries used in the application, the system's power requirements in Sleep mode are minimal.



**FIGURE 2-1:** Setup Configuration Diagram.

## 2.3.2 Activating Application and Changing the LED Intensity

1. To activate the LEDs, press the push button momentary switch S1. The LEDs turn on at full intensity level when the push button is pressed, changing intensity when the push button is pressed again. There are 3 levels of 100%, 50% and 25% LED intensities (plus the "OFF" state). The input is fused for overcurrent protection. The intensity of the LEDs are controlled via the SHDN input pin of MCP1650. A pulse width modulated (PWM) signal is generated by the PIC10F202 and routed to the SHDN pin of the MCP1650. The MCP1650 is actually pulsed, and the duty cycle of the PWM waveform is varied depending on the intensity required. The narrow pulses create a low intensity while wider pulses create a high intensity.
2. The LEDs will be turned off, and the system will enter Sleep mode, when the LEDs are at 25% intensity state and the push button is pressed. Subsequent push button presses will cycle the LEDs as described in step 1.

## 2.3.3 Evaluating the Application

The best way to evaluate the MCP1650 Multiple White LED Demo Board is to analyze the circuit. Measure voltages and currents with a DVM and probe the board with an oscilloscope.

The firmware program in the PIC10F202 can also be edited to modify the operation of the application. For example, the subroutine written to generate the different pulse widths can be changed to suit the needs of various applications with different intensities.

## Typical Example

Let's consider a practical application for driving nine white LEDs with the MCP1650 using a three-cell Li-Ion input.

Input voltage:	2.7V to 4.5V
Output voltage:	32.4V (9*V <sub>F</sub> )
Output current:	15 mA
Switching Frequency:	750 kHz
Duty Cycle:	80% for V <sub>IN</sub> < 3.8V
Duty Cycle:	56% for V <sub>IN</sub> > 3.8V

R<sub>SENSE</sub> is determined by the following equation:

$$R_{SENSE} = \frac{V_{FB}}{I_{OUT}}$$

## 2.3.4 Inductor Selection

Since a high boost ratio is needed, the boost regulator will operate in Discontinuous Current mode. Therefore, the energy going into the inductor every switching cycle must be greater than the energy needed to supply the load for that switching cycle. The conservative efficiency estimate of 80% was chosen to provide margin so that the boost regulator will operate in Discontinuous Current mode.

$$\begin{aligned}P_{OUT} &= V_{OUT} \times I_{OUT} \\P_{OUT} &= 32.4V \times 15mA \\P_{OUT} &= 0.486 \text{ watts}\end{aligned}$$

$$P_{IN} = \frac{P_{OUT}}{\text{Efficiency}}$$
$$P_{IN} = \frac{0.486\text{w}}{80\%}$$
$$P_{IN} = 0.608 \text{ watts}$$

The equation for the energy flowing into the inductor is given below. The power in the inductor is equal to the inductor energy times the switching frequency ( $F_{SW}$ ).

$$\text{Energy} = \frac{1}{2} \times L \times I_{PK}^2$$
$$\text{Power} = \text{Energy} \times F_{SW}$$

The peak inductor current is:

$$I_{PK} = \frac{V_{IN}}{L} \times T_{ON}$$

Using a standard inductor value of 4.7  $\mu\text{H}$ , the power in the inductor is calculated.

$$T_{ON} = (1/F_{SW}) \times \text{Duty Cycle}$$
$$I_{PK} (2.7\text{V}) = 0.612\text{A}$$
$$\text{Energy} (2.7\text{V}) = 0.880 \mu\text{-Joules}$$
$$\text{Power} (2.7\text{V}) = 0.66\text{W}$$

There is a second operating point that needs to be addressed when  $V_{IN}$  is 3.8V and the duty cycle is 56%.

$$T_{ON} = (1/F_{SW}) \times \text{Duty Cycle}$$
$$I_{PK} (3.8\text{V}) = 0.603\text{A}$$
$$\text{Energy} (3.8\text{V}) = 0.854 \mu\text{-Joules}$$
$$\text{Power} (3.8\text{V}) = 0.640\text{W}$$

For both operating points, the inductor power is close to the necessary maximum input power, forcing the converter to operate in Continuous Current mode. Therefore, a 4.7  $\mu\text{H}$  inductor is too large and the peak input current needs to be increased. A 3.3  $\mu\text{H}$  inductor is selected.

$$T_{ON} = (1/F_{SW}) \times \text{Duty Cycle}$$
$$I_{PK} (2.7\text{V}) = 0.872\text{A}$$
$$\text{Energy} (2.7\text{V}) = 1.256 \mu\text{-Joules}$$
$$\text{Power} (2.8\text{V}) = 0.942\text{W}$$
$$I_{PK} (3.8\text{V}) = 0.859\text{A}$$
$$\text{Energy} (3.8\text{V}) = 1.219 \mu\text{-Joules}$$
$$\text{Power} (3.8\text{V}) = 0.914\text{W}$$

Now that the inductor energy is greater than the maximum required input energy, the converter will operate in Discontinuous Current mode.

When selecting the MOSFET, a low  $R_{DSon}$  logic-level N-channel is recommended. Since the input voltage ranges from 2.7V to 4.5V, the MOSFET must have a turn-on voltage as low as 2.7V. Ideally, the MOSFET would have  $R_{DSon}$  as low as possible and, therefore, help increase the overall efficiency of the regulator. However, a lower  $R_{DSon}$  typically results in higher gate charge, leading to slower transition times in the MOSFET, thereby causing increased switching losses. The MOSFET's drain-to-source breakdown voltage must be rated to handle the boost output voltage plus margin. There is a very limited selection for MOSFET's with a drain to source rating greater than 30V with a gate-to-source voltage less than 5V. By using a 1:1 coupled inductor for the boost converter, the MOSFET drain-to-source voltage rating is cut in half.

The boost diode requires very fast turn-on and turn-off characteristics because it switches at the switching frequency of the converter. Schottky diodes are recommended because they are capable of this switching characteristic and have a low forward drop. As with the MOSFET, the Schottky diode must be rated to handle the boost output voltage plus margin.

The input and output capacitor size depends on the respective voltages of the converter. While low value parts are desired because of cost and size, they typically result in higher ripple voltages. The capacitors should be chosen to provide an appropriate ripple voltage for the intended application. Ceramic or low effective series resistance (ESR) tantalum capacitors are appropriate for most applications.

## 2.3.5 Firmware

The PIC10F202 comes with preprogrammed firmware to operate the system as described above. The firmware flow diagram is shown in **Appendix C. "Demo Board Firmware"**.

There is an initialization routine at the beginning of the program. The program initially checks for the key press and goes into Sleep mode if there is no key press. The device will come out of Sleep mode on pin change. The OPTION register is configured to wake-up on port pin change.

The GPIO port is configured to set GP0 (PWM to the MCP1650) as an output and GP3 (Push Button) as inputs. There are three different subroutines for the three different intensities provided. Every time the key is pressed, the variable key buffer is incremented to store the next value of the key and move to the respective subroutine in a cyclic order.

The effect of key de-bounce is accomplished by providing a delay which checks for the prerequisite time and recognizes only a valid key press. There is a key press check in each of the subroutine which recognizes the key press and goes to the next subroutine for a valid key press.

### 2.3.5.1 PROGRAMMING

Header J1 is provided for in circuit programming. This is an optional feature since the demo board comes preprogrammed with firmware to operate the system. The PIC10F202 can be reprogrammed with the Baseline Flash Microcontroller Programmer (BFMP).

# MCP1650 Multiple White LED Demo Board User's Guide

---

---

NOTES:





# MCP1650 MULTIPLE WHITE LED DEMO BOARD USER'S GUIDE

---

---

## Appendix A. Schematic and Layouts

---

---

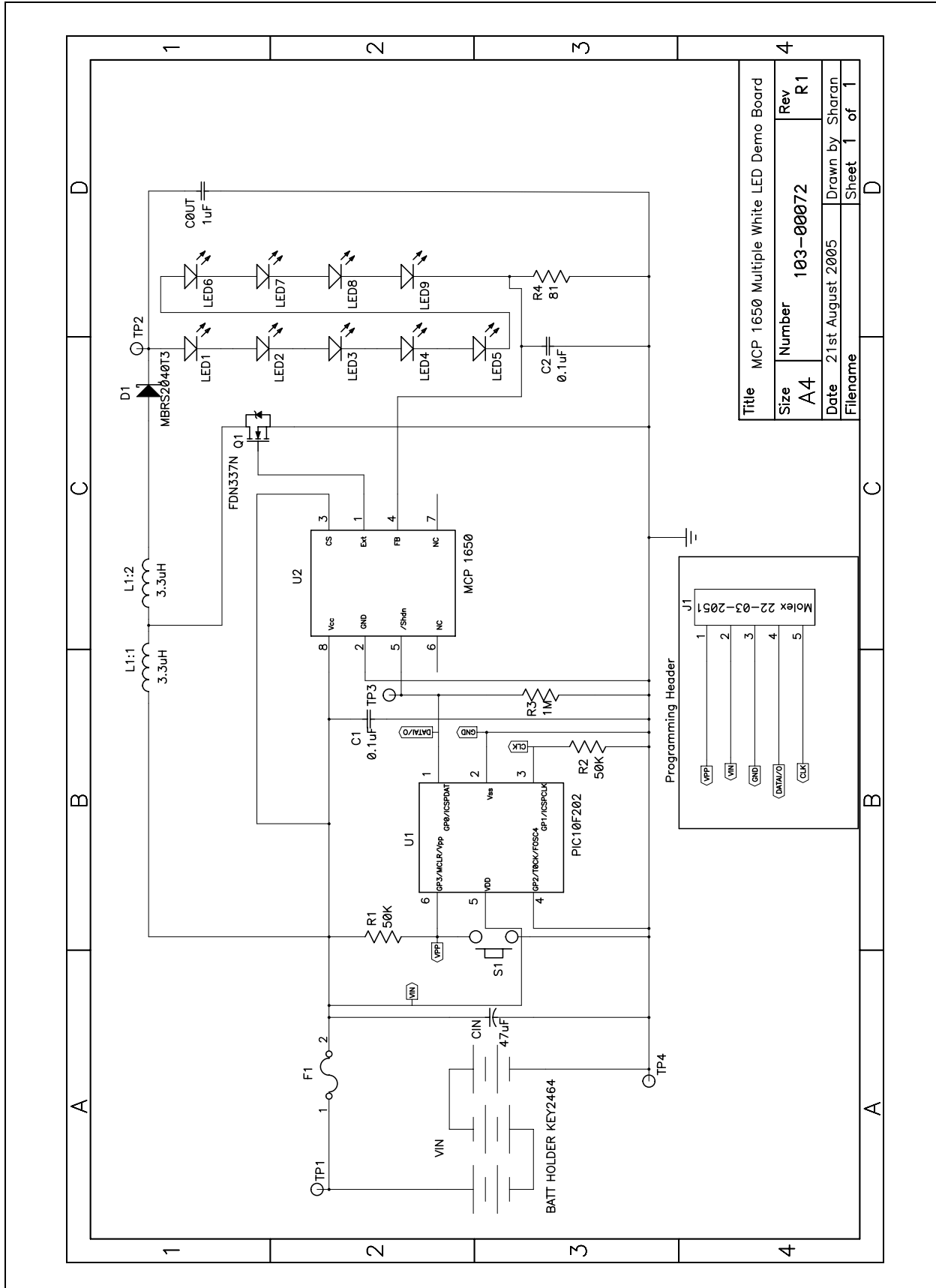
### A.1 INTRODUCTION

This appendix contains the following schematics and layouts for the MCP1650 Multiple White LED Demo Board:

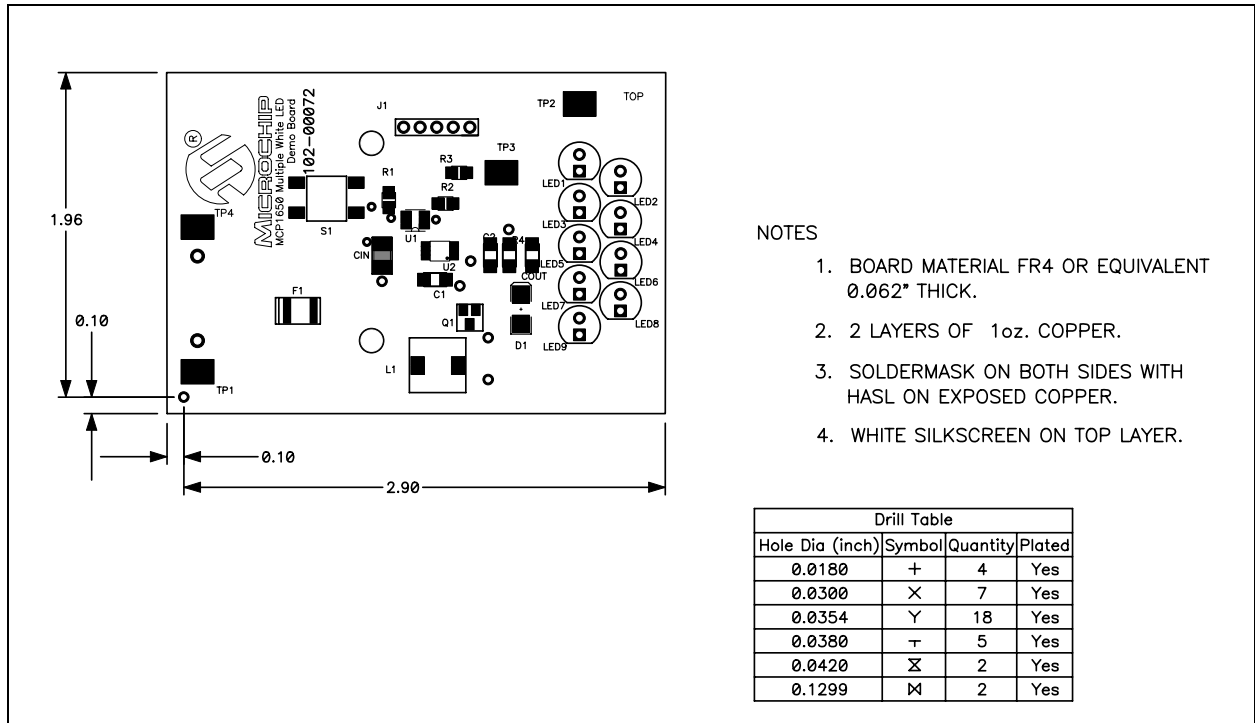
- Board – Schematic
- Board – Assembly Drawing
- Board – Top Metal Layer
- Board – Bottom Metal Layer

# MCP1650 Multiple White LED Demo Board User's Guide

## A.2 BOARD – SCHEMATIC



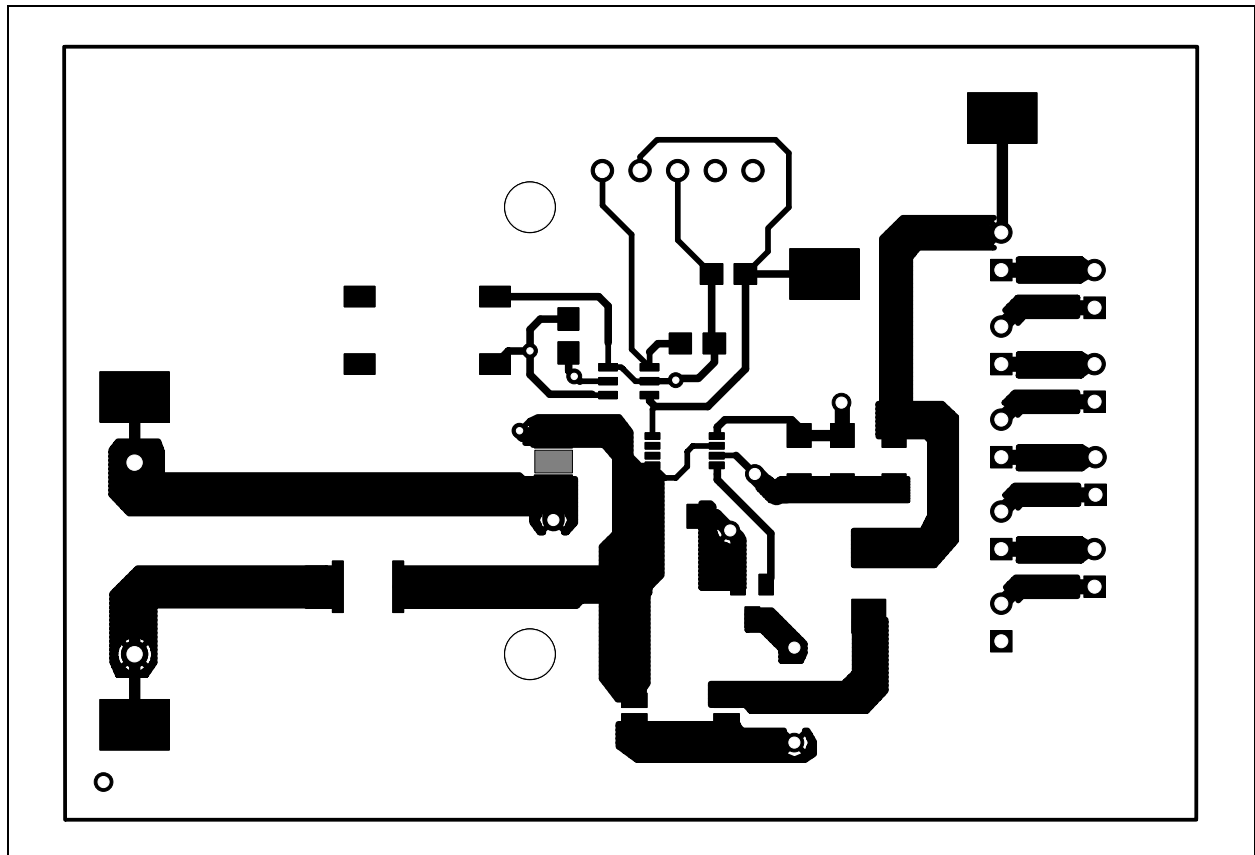
## A.3 BOARD – TOP ASSEMBLY



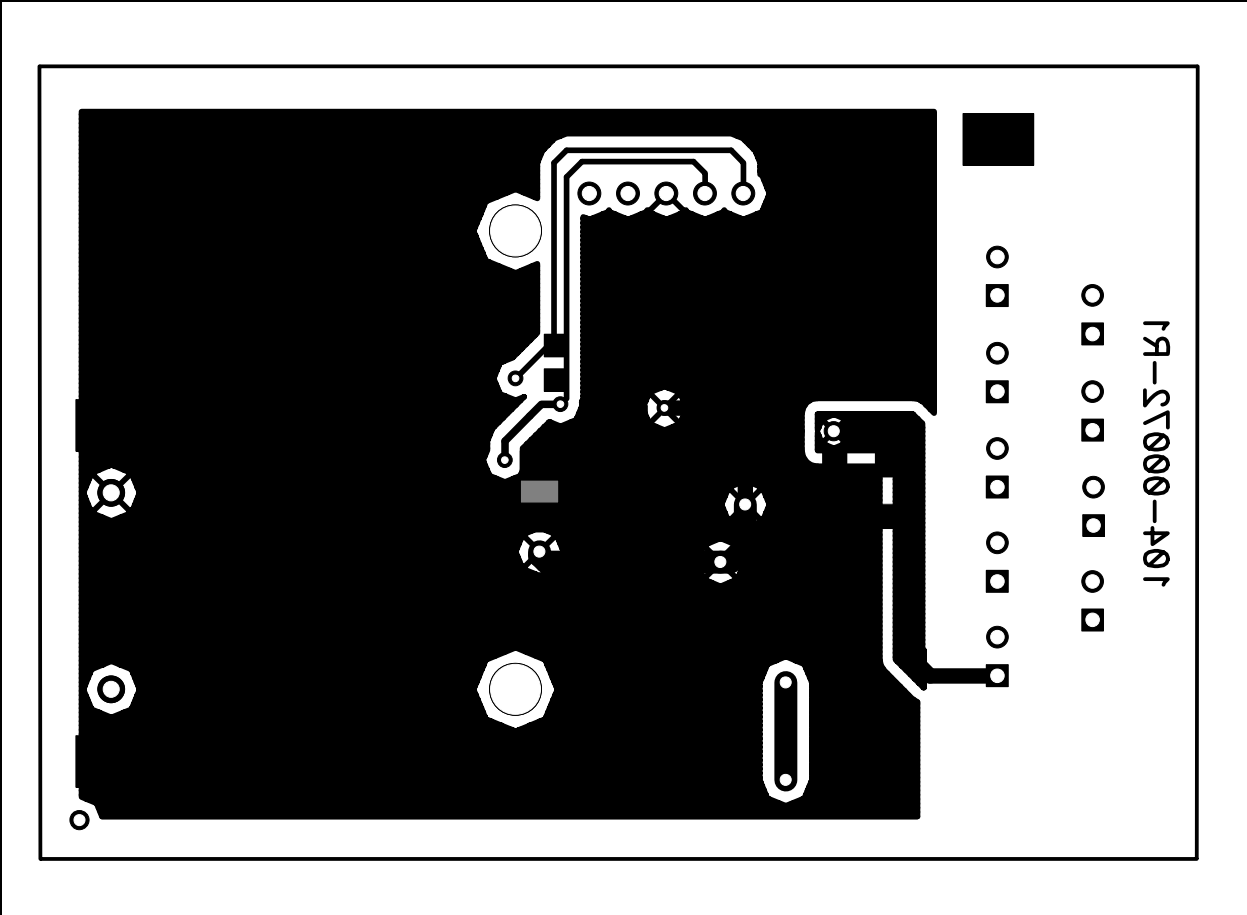
### NOTES

1. BOARD MATERIAL FR4 OR EQUIVALENT 0.062" THICK.
2. 2 LAYERS OF 1oz. COPPER.
3. SOLDERMASK ON BOTH SIDES WITH HASL ON EXPOSED COPPER.
4. WHITE SILKSCREEN ON TOP LAYER.

## A.4 BOARD – TOP METAL LAYER



A.5 BOARD – BOTTOM METAL LAYER





# MCP1650 MULTIPLE WHITE LED DEMO BOARD USER'S GUIDE

## Appendix B. Bill Of Materials (BOM)

**TABLE B-1: BILL OF MATERIALS (BOM)**

Qty	Reference	Description	Manufacturer	Part Number
1	CIN	CAP 47UF 6.3V CERAMIC X5R 1210	Panasonic - ECG	ECJ-4YB0J476M
1	COUT	CAP CER 1UF 50V X7R 10% 1206	TDK Corporation	C3216X7R1H105K
2	C1, C2	CAP .10UF 50V CERAMIC X7R 1206	Yageo America	CC1206KRX7R9BB104
1	D1	MBRS2040LT3	ON Semiconductors	MBRS2040LT3
1	F1	PolySwitch Resettable Fuses	Raychem® Corp.	MINISMDC110
1	J1	CONN HEADER 5POS .100 VERT TIN	Molex	22-03-2051
1	L1	INDUCTOR SHIELD DUAL 3.3UH SMD	Coiltronics	DRQ74-3R3
9	LED1, LED2, LED3, LED4, LED5, LED6, LED7, LED8, LED9	LED 5mm Blue/Waterclear Lens	LED Shop	OBWC5.5000-A
1	Q1	FDN337N	Fairchild	FDN337N
2	R1, R2	RES 47.5K OHM 1/10W 1% 0805 SMD	Panasonic - ECG	ERJ-6ENF4752V
1	R3	Resistor 1MOhm 1% 0805 Package	Panasonic - ECG	ERJ-6ENF1004V
1	R4	RES 80.6 OHM 1/8W 1% 1206 SMD	Panasonic - ECG	ERJ-8ENF80R6V
1	S1	Momentary Tact Switches	E-Switch Inc	TL3301NF260QG
4	TP1, TP2, TP3, TP4	SMT Test Point	Keystone Electronics®	5016
1	U1	PIC10F202 6-pin SOT-23	Microchip Technology Inc	PIC10F202T-I/OT
1	U2	MCP1650 8-pin MSOP	Microchip Technology Inc	MCP1650S-E/MS
1	VIN	3 AA Plastic Battery Holder	Keystone Electronics®	2464

# MCP1650 Multiple White LED Demo Board User's Guide

---

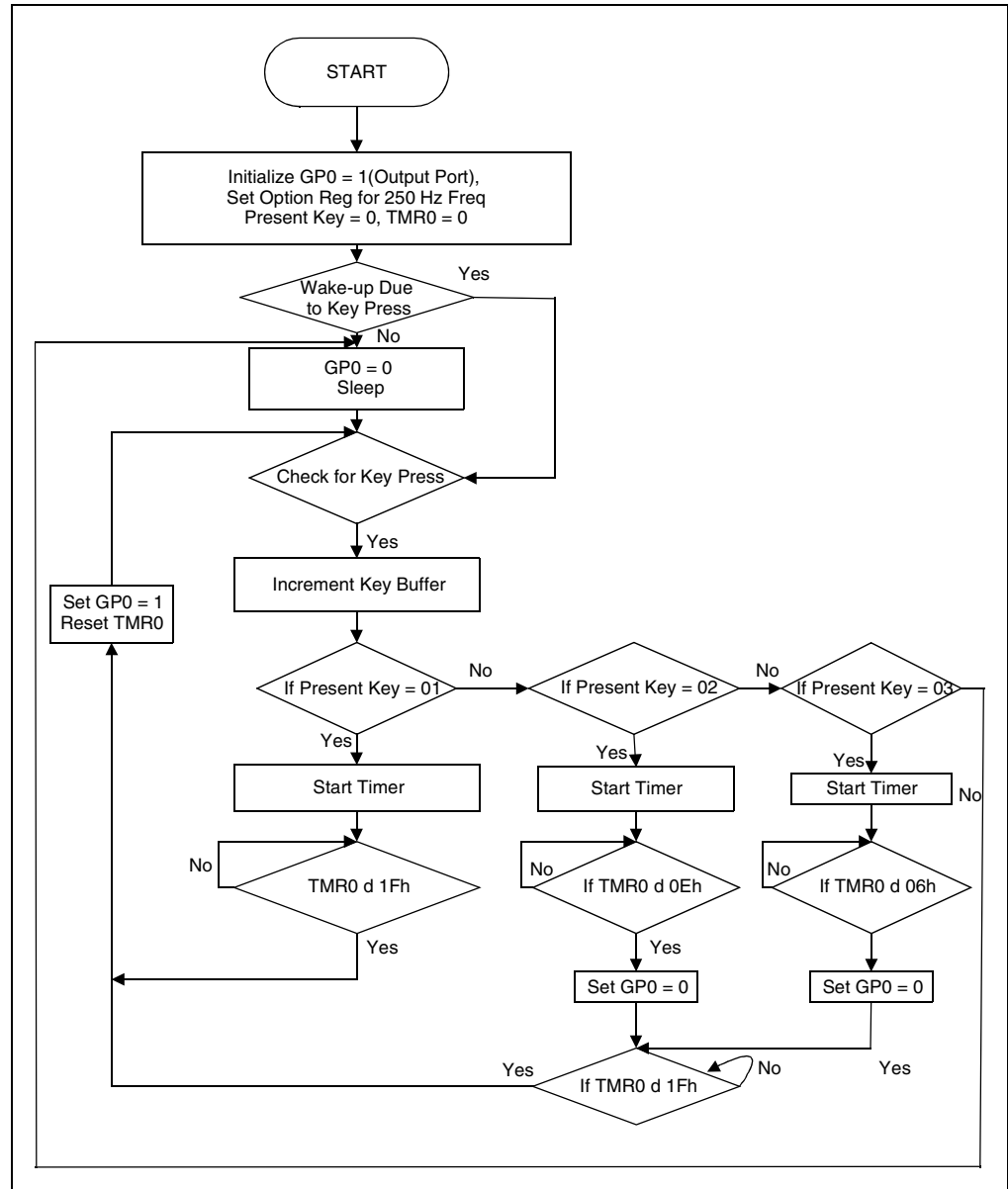
---

NOTES:

**Appendix C. Demo Board Firmware**

**C.1 DEVICE FIRMWARE**

For the latest version of the MCP1650 Multiple White LED Demo Board firmware, visit the Microchip web site at [www.microchip.com](http://www.microchip.com).



**FIGURE C-1:** Firmware Flowchart – Page 1.



---

---

## WORLDWIDE SALES AND SERVICE

---

---

### AMERICAS

#### Corporate Office

2355 West Chandler Blvd.  
Chandler, AZ 85224-6199  
Tel: 480-792-7200  
Fax: 480-792-7277  
Technical Support:  
<http://support.microchip.com>  
Web Address:  
[www.microchip.com](http://www.microchip.com)

#### Atlanta

Alpharetta, GA  
Tel: 770-640-0034  
Fax: 770-640-0307

#### Boston

Westborough, MA  
Tel: 774-760-0087  
Fax: 774-760-0088

#### Chicago

Itasca, IL  
Tel: 630-285-0071  
Fax: 630-285-0075

#### Dallas

Addison, TX  
Tel: 972-818-7423  
Fax: 972-818-2924

#### Detroit

Farmington Hills, MI  
Tel: 248-538-2250  
Fax: 248-538-2260

#### Kokomo

Kokomo, IN  
Tel: 765-864-8360  
Fax: 765-864-8387

#### Los Angeles

Mission Viejo, CA  
Tel: 949-462-9523  
Fax: 949-462-9608

#### San Jose

Mountain View, CA  
Tel: 650-215-1444  
Fax: 650-961-0286

#### Toronto

Mississauga, Ontario,  
Canada  
Tel: 905-673-0699  
Fax: 905-673-6509

### ASIA/PACIFIC

#### Australia - Sydney

Tel: 61-2-9868-6733  
Fax: 61-2-9868-6755

#### China - Beijing

Tel: 86-10-8528-2100  
Fax: 86-10-8528-2104

#### China - Chengdu

Tel: 86-28-8676-6200  
Fax: 86-28-8676-6599

#### China - Fuzhou

Tel: 86-591-8750-3506  
Fax: 86-591-8750-3521

#### China - Hong Kong SAR

Tel: 852-2401-1200  
Fax: 852-2401-3431

#### China - Qingdao

Tel: 86-532-8502-7355  
Fax: 86-532-8502-7205

#### China - Shanghai

Tel: 86-21-5407-5533  
Fax: 86-21-5407-5066

#### China - Shenyang

Tel: 86-24-2334-2829  
Fax: 86-24-2334-2393

#### China - Shenzhen

Tel: 86-755-8203-2660  
Fax: 86-755-8203-1760

#### China - Shunde

Tel: 86-757-2839-5507  
Fax: 86-757-2839-5571

#### China - Wuhan

Tel: 86-27-5980-5300  
Fax: 86-27-5980-5118

#### China - Xian

Tel: 86-29-8833-7250  
Fax: 86-29-8833-7256

### ASIA/PACIFIC

#### India - Bangalore

Tel: 91-80-2229-0061  
Fax: 91-80-2229-0062

#### India - New Delhi

Tel: 91-11-5160-8631  
Fax: 91-11-5160-8632

#### India - Pune

Tel: 91-20-2566-1512  
Fax: 91-20-2566-1513

#### Japan - Yokohama

Tel: 81-45-471-6166  
Fax: 81-45-471-6122

#### Korea - Gumi

Tel: 82-54-473-4301  
Fax: 82-54-473-4302

#### Korea - Seoul

Tel: 82-2-554-7200  
Fax: 82-2-558-5932 or  
82-2-558-5934

#### Malaysia - Penang

Tel: 60-4-646-8870  
Fax: 60-4-646-5086

#### Philippines - Manila

Tel: 63-2-634-9065  
Fax: 63-2-634-9069

#### Singapore

Tel: 65-6334-8870  
Fax: 65-6334-8850

#### Taiwan - Hsin Chu

Tel: 886-3-572-9526  
Fax: 886-3-572-6459

#### Taiwan - Kaohsiung

Tel: 886-7-536-4818  
Fax: 886-7-536-4803

#### Taiwan - Taipei

Tel: 886-2-2500-6610  
Fax: 886-2-2508-0102

#### Thailand - Bangkok

Tel: 66-2-694-1351  
Fax: 66-2-694-1350

### EUROPE

#### Austria - Wels

Tel: 43-7242-2244-399  
Fax: 43-7242-2244-393

#### Denmark - Copenhagen

Tel: 45-4450-2828  
Fax: 45-4485-2829

#### France - Paris

Tel: 33-1-69-53-63-20  
Fax: 33-1-69-30-90-79

#### Germany - Munich

Tel: 49-89-627-144-0  
Fax: 49-89-627-144-44

#### Italy - Milan

Tel: 39-0331-742611  
Fax: 39-0331-466781

#### Netherlands - Drunen

Tel: 31-416-690399  
Fax: 31-416-690340

#### Spain - Madrid

Tel: 34-91-708-08-90  
Fax: 34-91-708-08-91

#### UK - Wokingham

Tel: 44-118-921-5869  
Fax: 44-118-921-5820