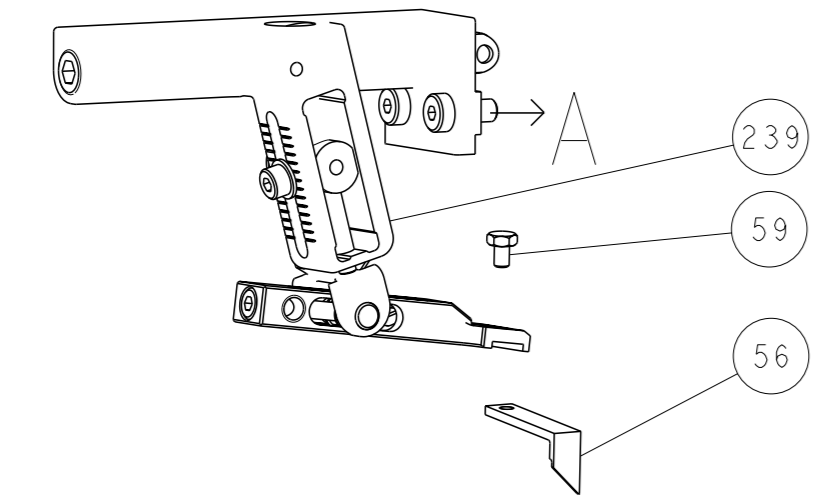
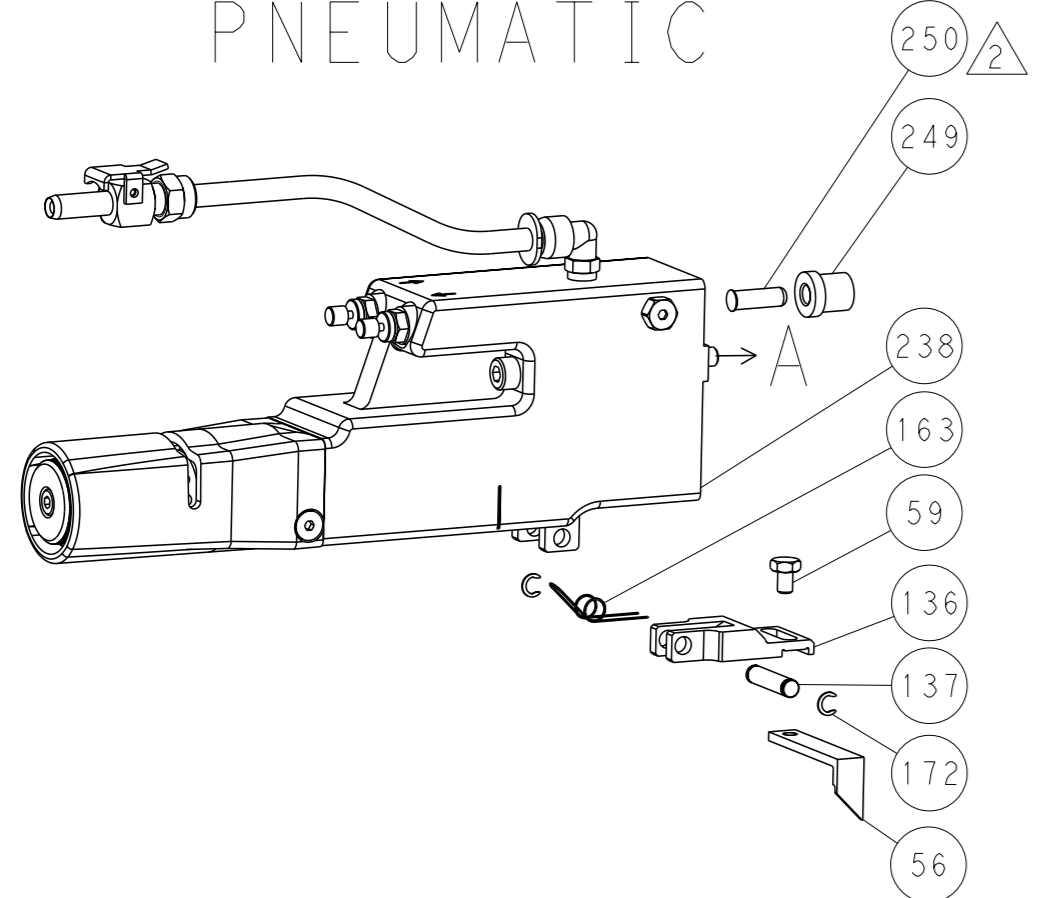


LOC		DIST		REVISIONS			
A	66	P	LYR	DESCRIPTION	DATE	OWN	APVD
		-		SEE SHEET 1			

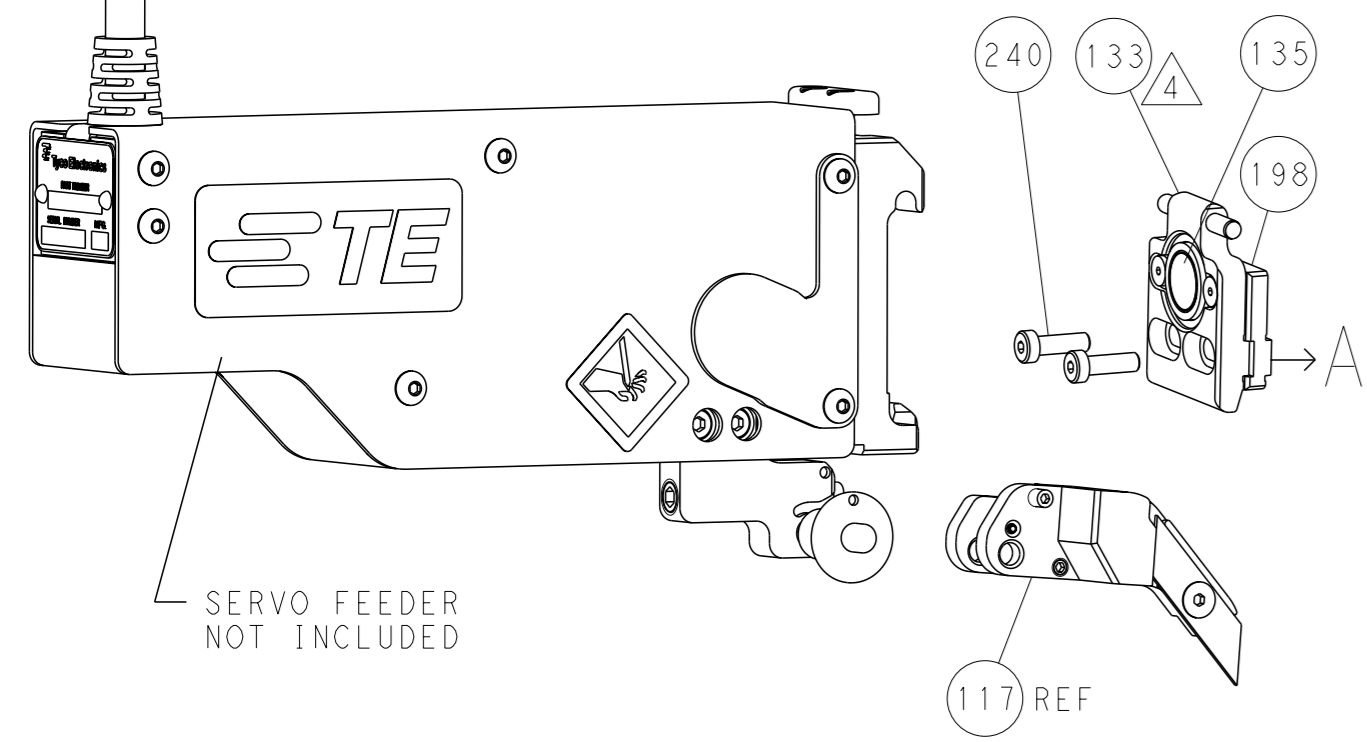
FEED TYPE MECHANICAL



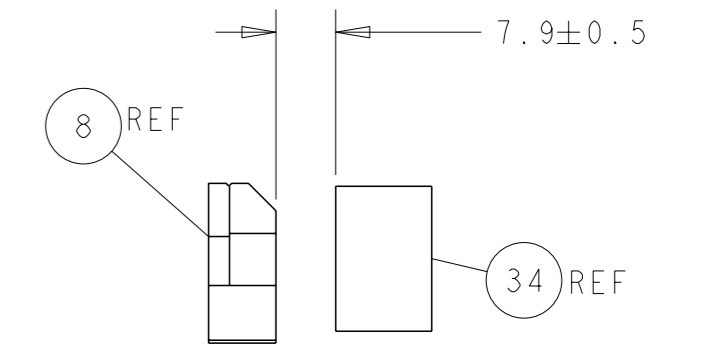
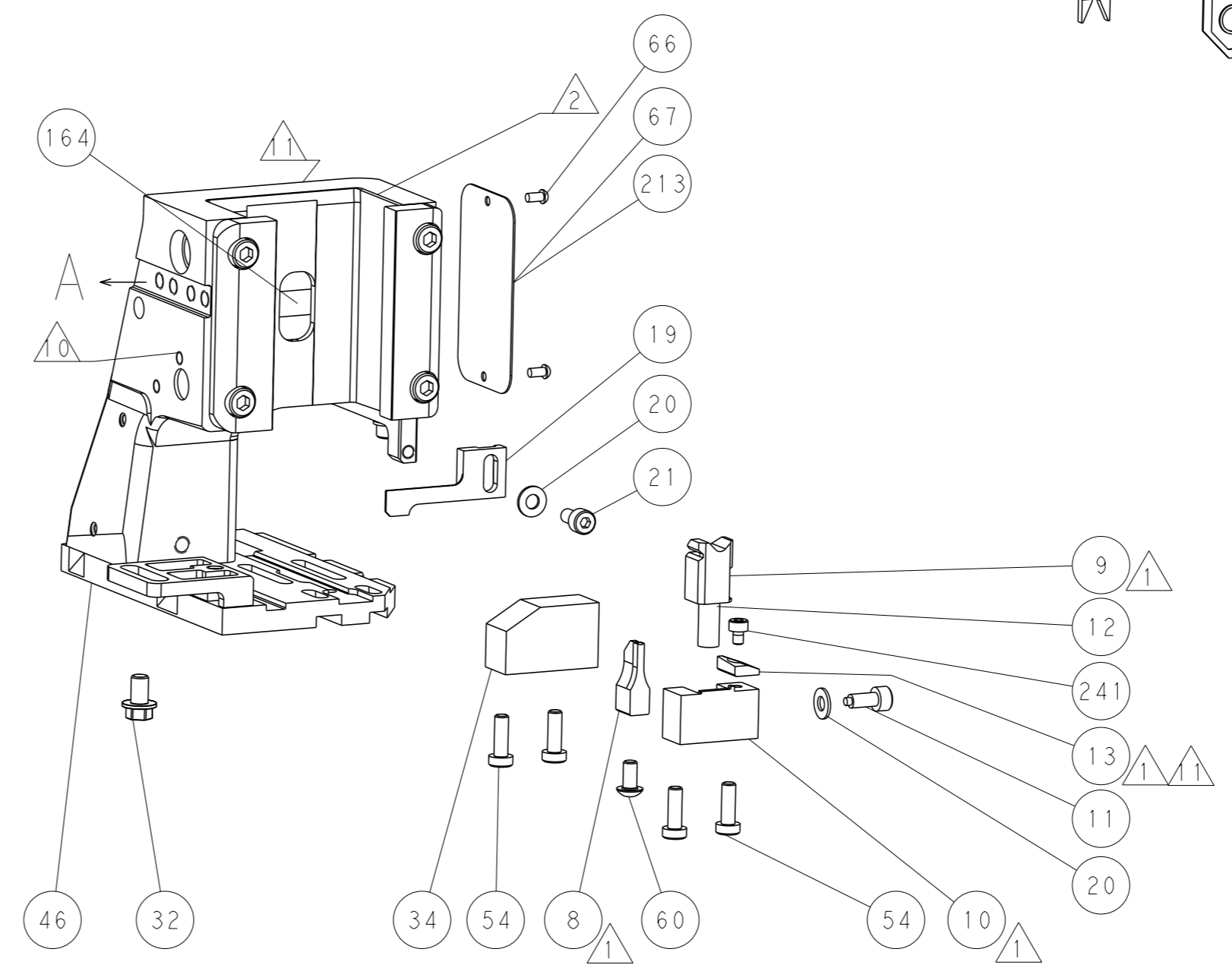
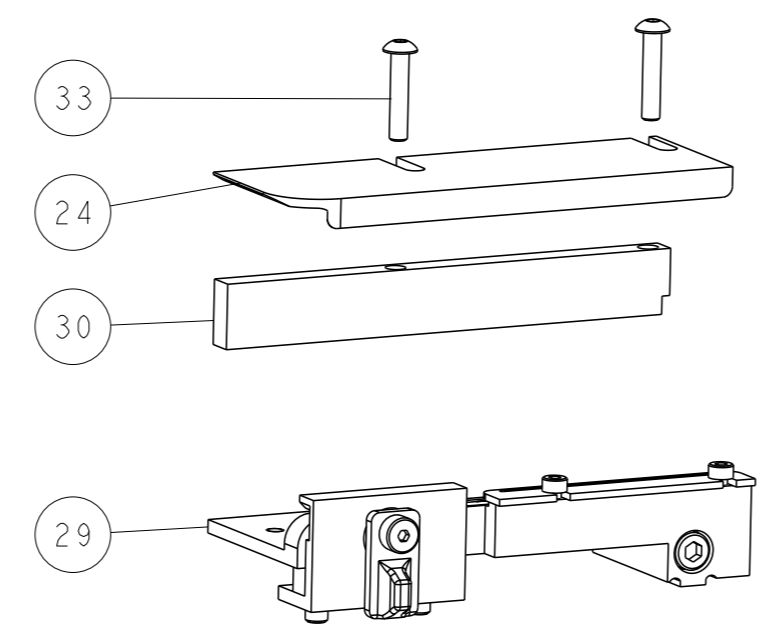
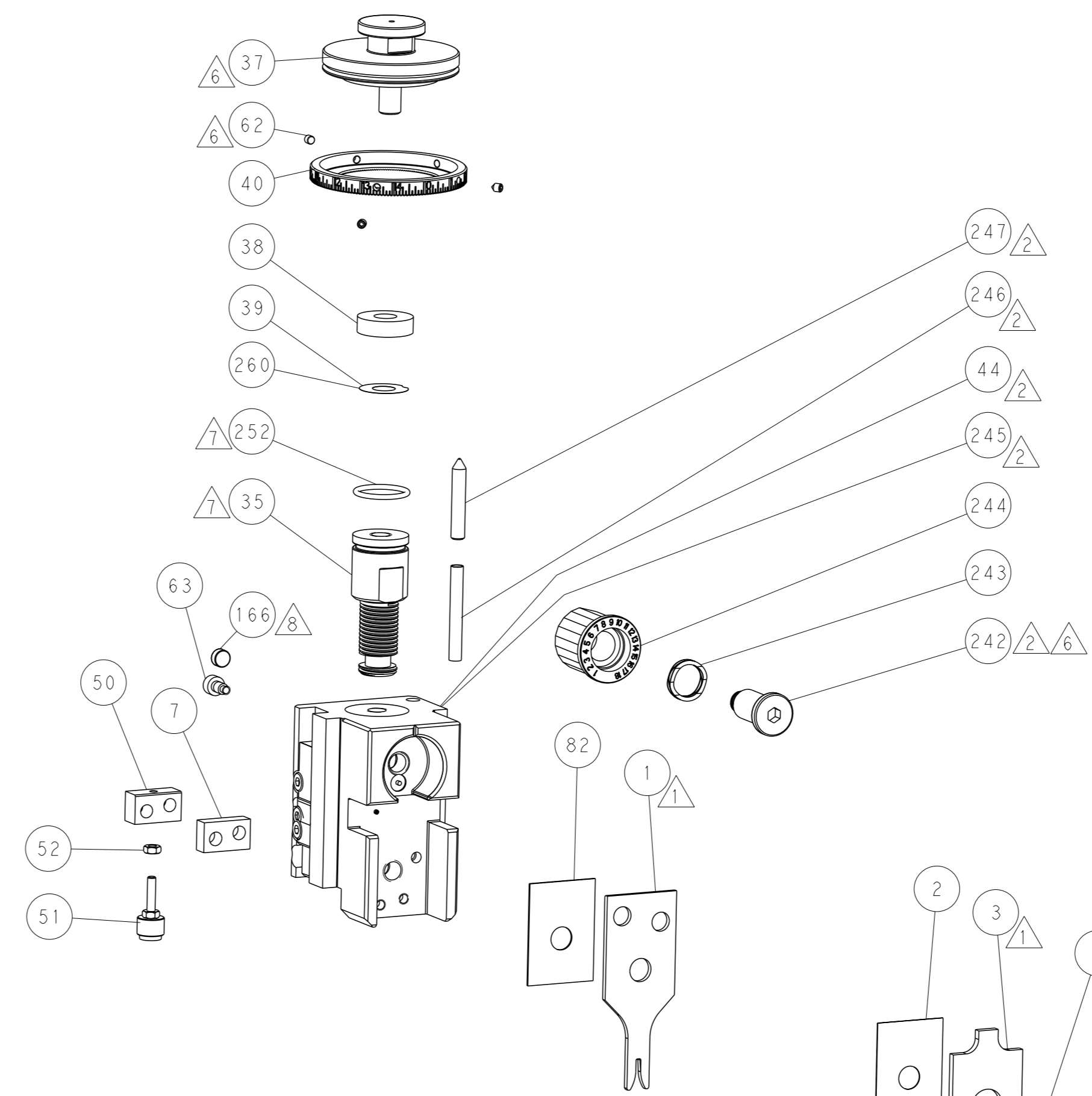
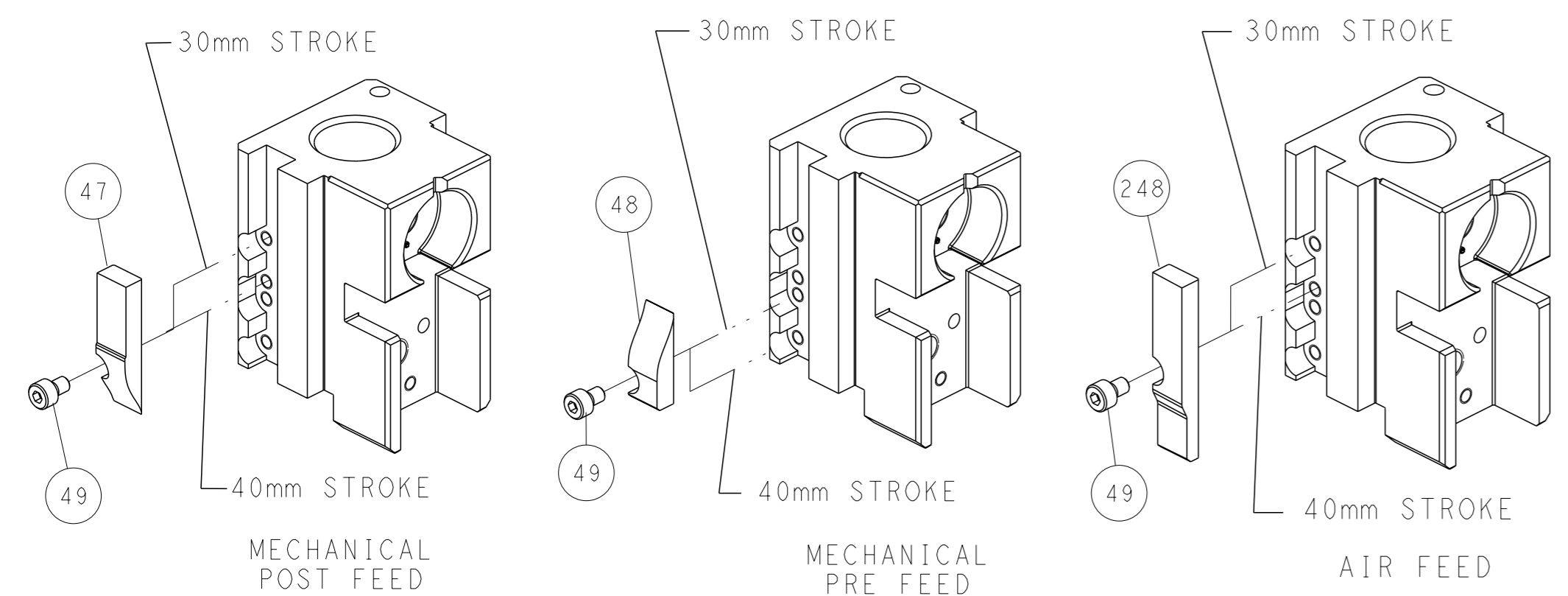
PNEUMATIC



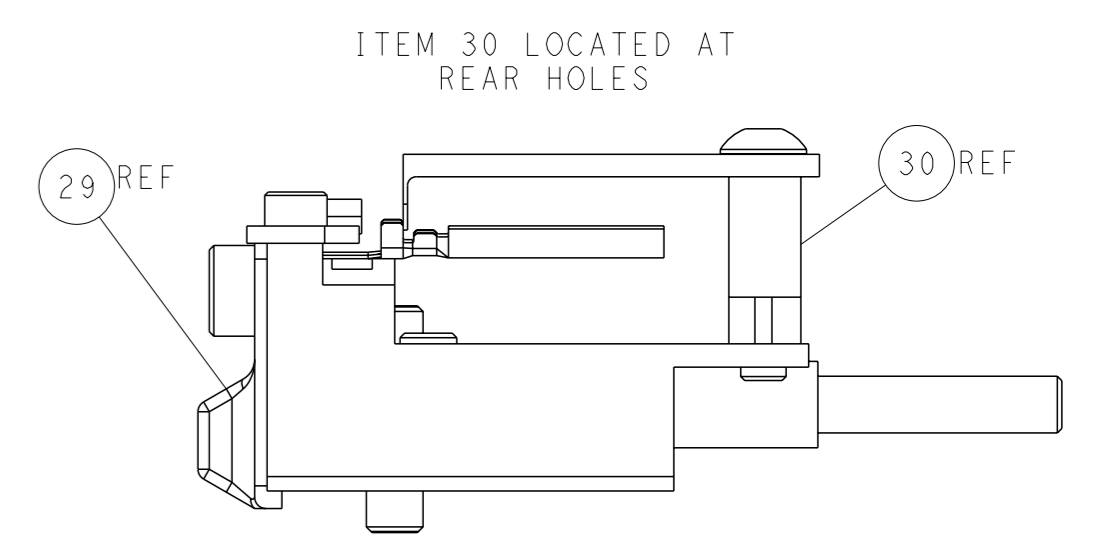
SERVO LATCH PLATE



CAM POSITIONS



TERMINAL SUPPORT LOCATION



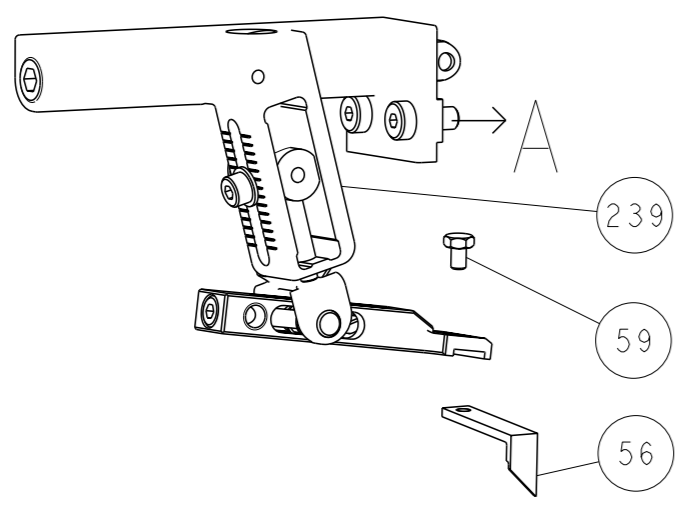
FEED TRACK POSITION GUIDE BY INSULATION BARREL

ATLANTIC VERSION
 Shown on sheets 1 of 4 & 2 of 4
 (Pacific version shown on sheets 3 of 4 & 4 of 4)

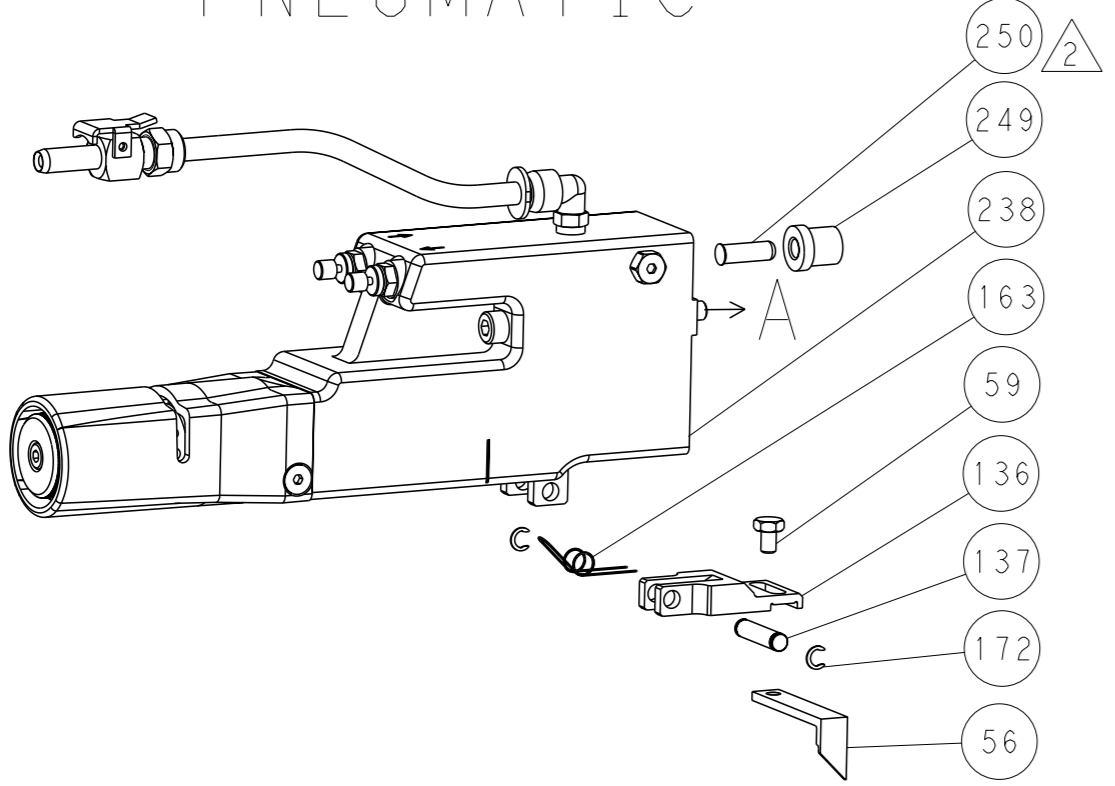
DIMENSIONS:		TOLERANCES UNLESS OTHERWISE SPECIFIED:		OWN X_ZHAO 22OCT2015		TE Connectivity	
mm	0 PLC ±	1 PLC ±	2 PLC ±	3 PLC ±	4 PLC ±	NAME	Harrisburg, PA 17105-3608
	ANGLES	FINISH		CHK L_ZHANG 22OCT2015	APVD U_GUO 22OCT2015	Ocean Side Feed Applicator	
MATERIAL		WEIGHT		PRODUCT SPEC	APPLICATION SPEC	SIZE	RESTRICTED TO
						A1 00779 C=2836074	
Customer Accessible Production Drawing				SCALE 1:2	SHEET 2 of 4	REV A	

LOC		DIST		REVISIONS			
A	66	P	LYR	DESCRIPTION	DATE	OWN	APVD
		-		SEE SHEET 1			

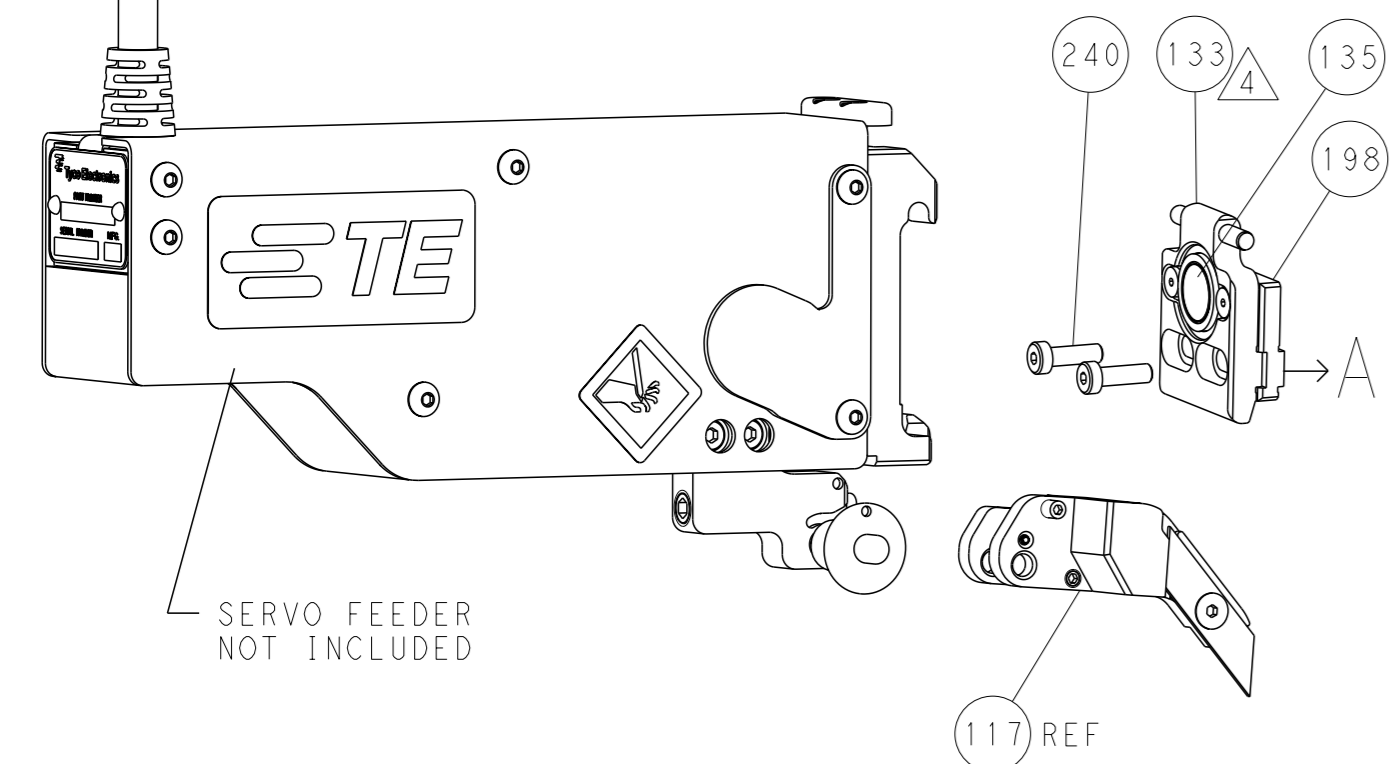
FEED TYPE MECHANICAL



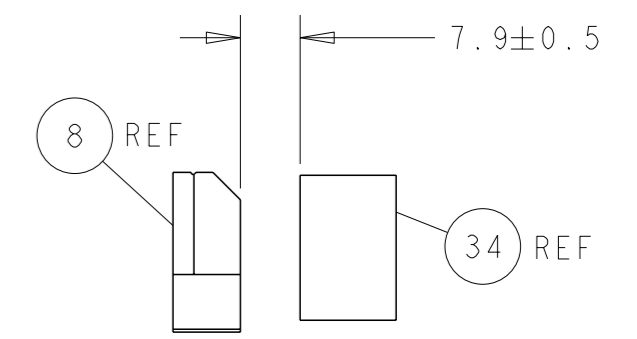
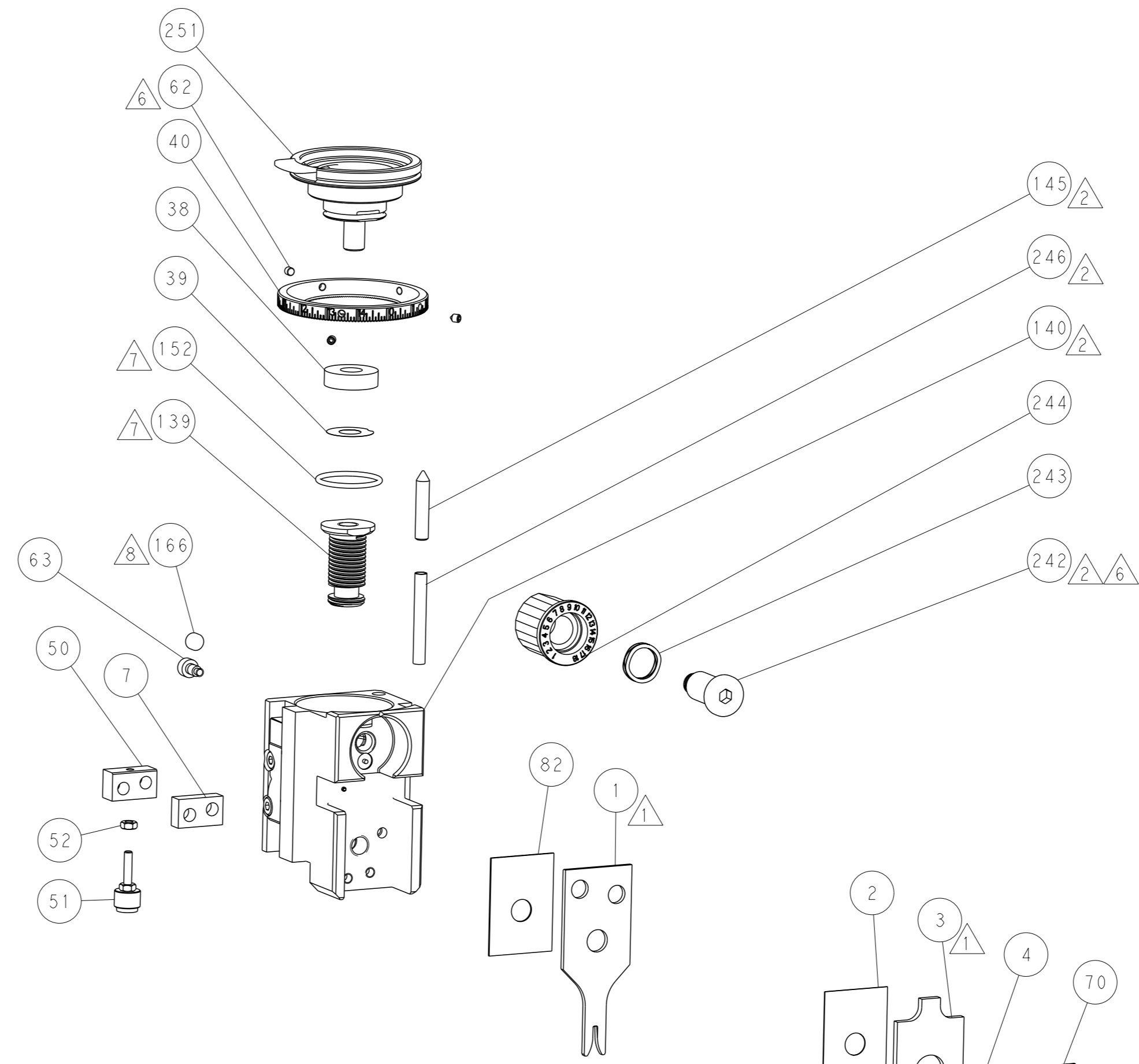
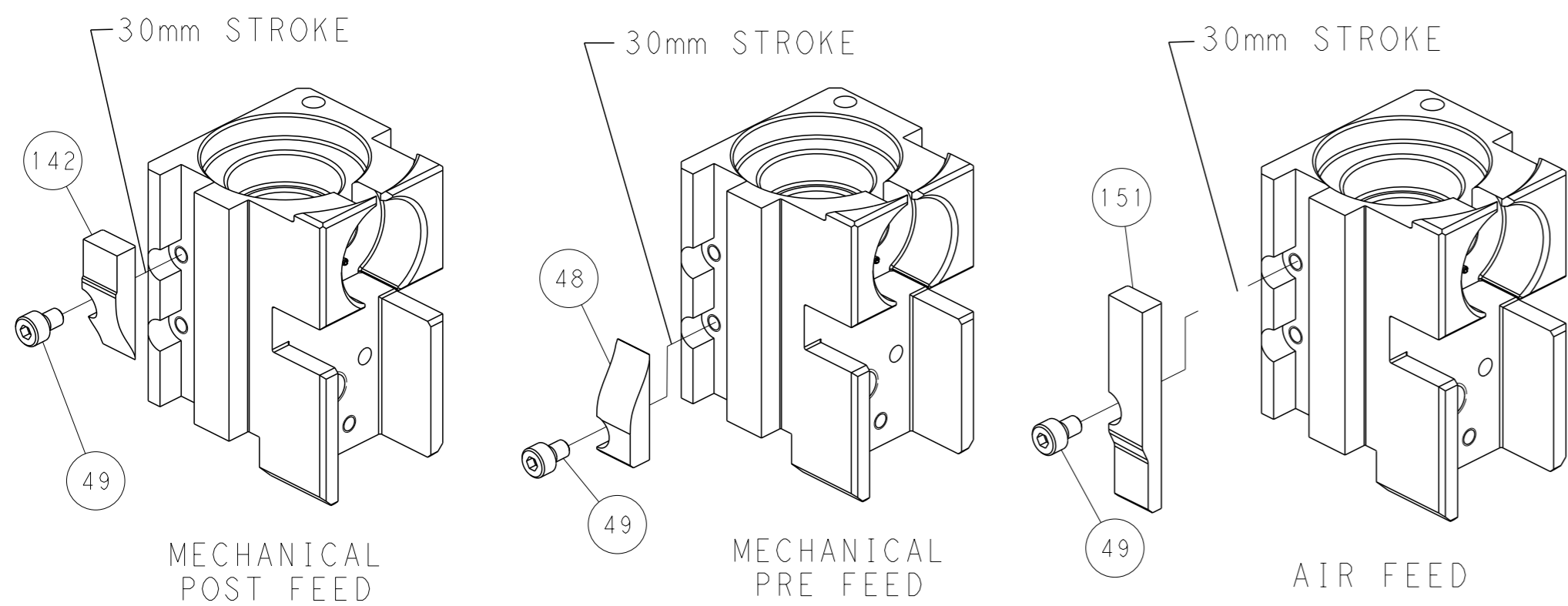
PNEUMATIC



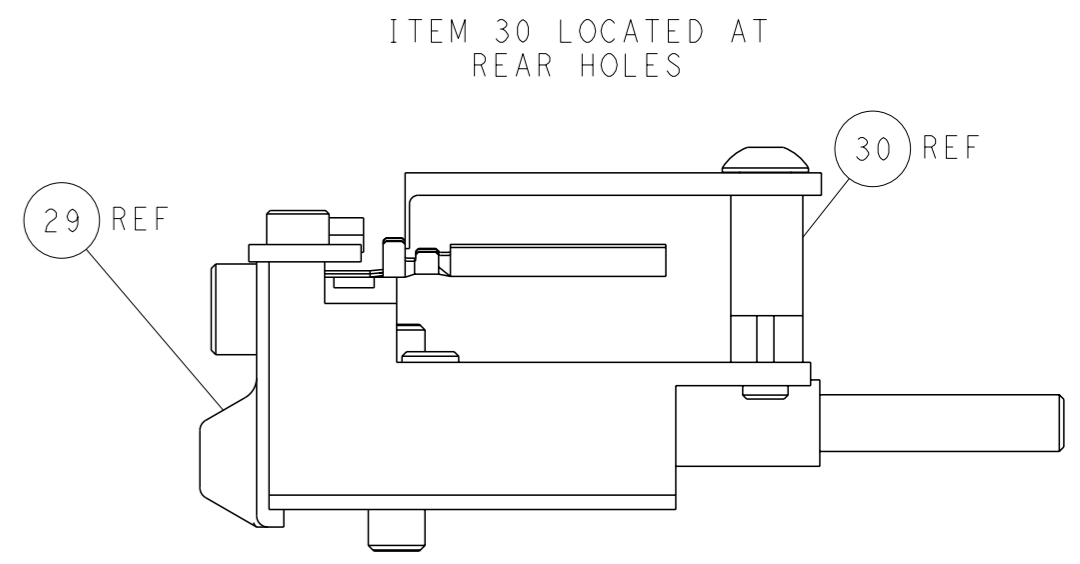
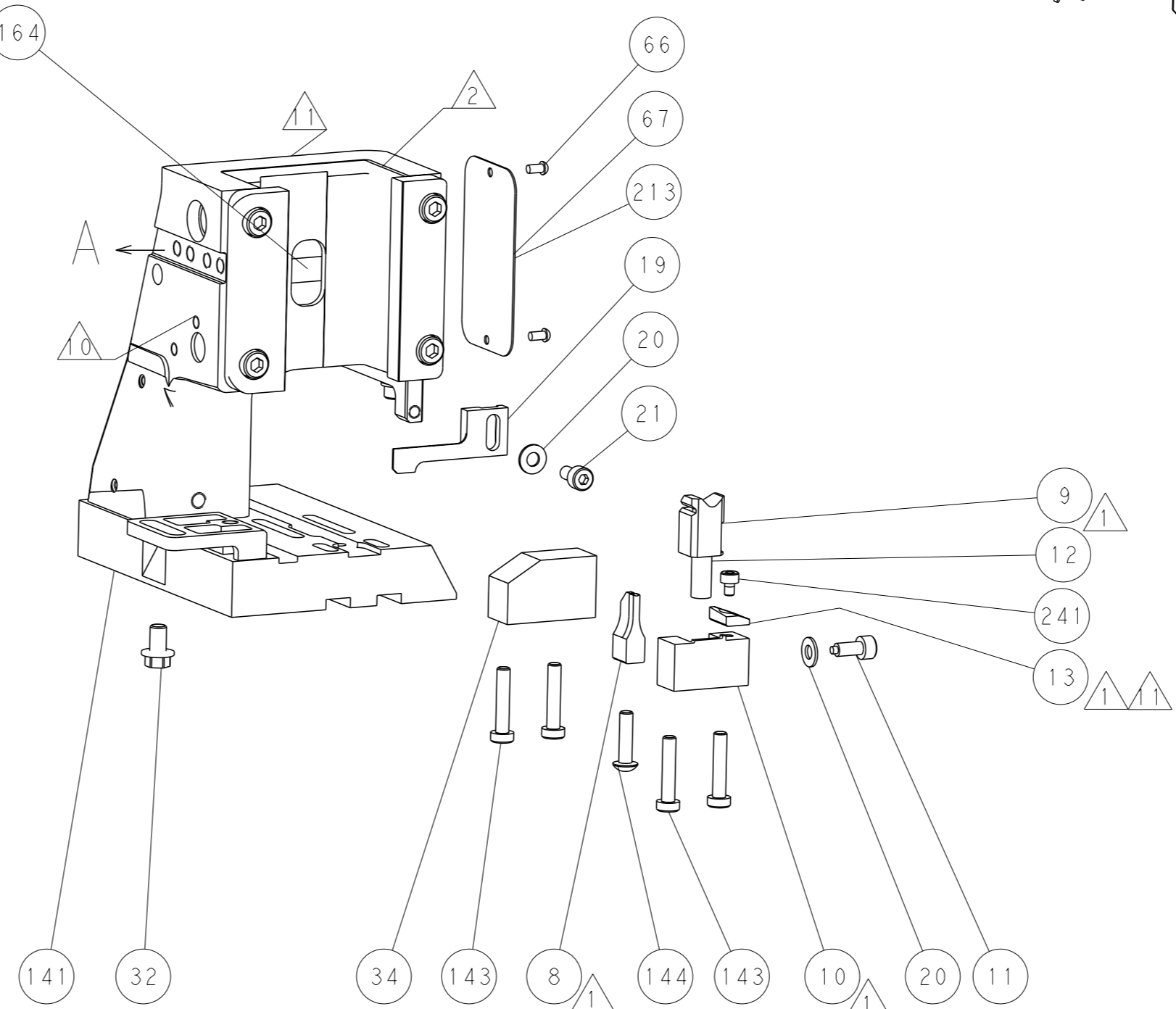
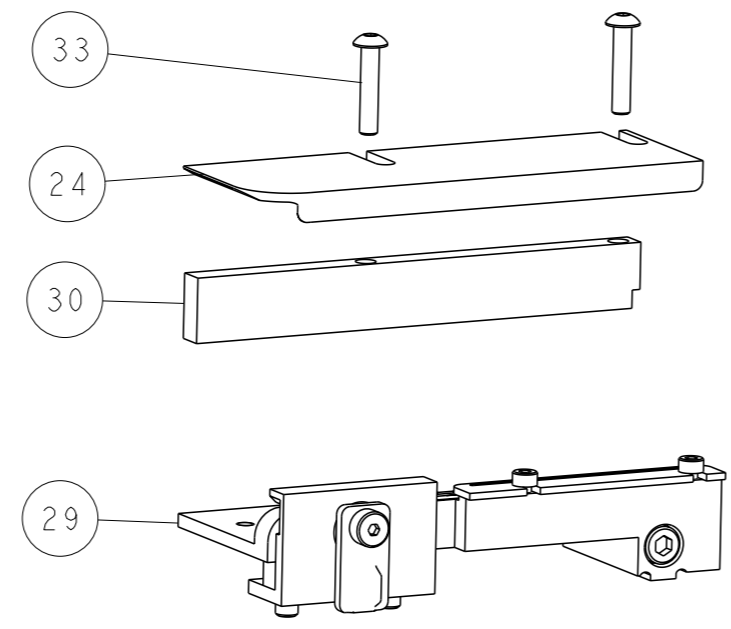
SERVO LATCH PLATE



CAM POSITIONS



TERMINAL SUPPORT LOCATION



FEED TRACK POSITION
GUIDE BY INSULATION BARREL

PACIFIC VERSION
 Shown on sheets 3 of 4 & 4 of 4
 (Atlantic version shown on sheets 1 of 4 & 2 of 4)

DIMENSIONS:		TOLERANCES UNLESS OTHERWISE SPECIFIED:		OWN X. ZHAO 22OCT2015	TE Connectivity Harrisburg, PA 17105-3608	
mm	0 PLC ±	1 PLC ±	2 PLC ±	CHK L. ZHANG 22OCT2015		
	3 PLC ±	4 PLC ±	ANGLES ±	APVD U. GUO 22OCT2015	NAME Ocean Side Feed Applicator	
	MATERIAL	FINISH	WEIGHT	SIZE A1	CAGE CODE 00779	DRAWING NO. C=2836074
Customer Accessible Production Drawing				SCALE 1:2	SHEET 4 of 4	REV A