

THIS DRAWING IS UNPUBLISHED.

RELEASED FOR PUBLICATION

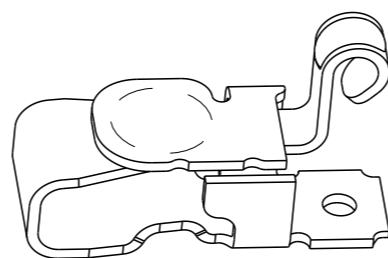
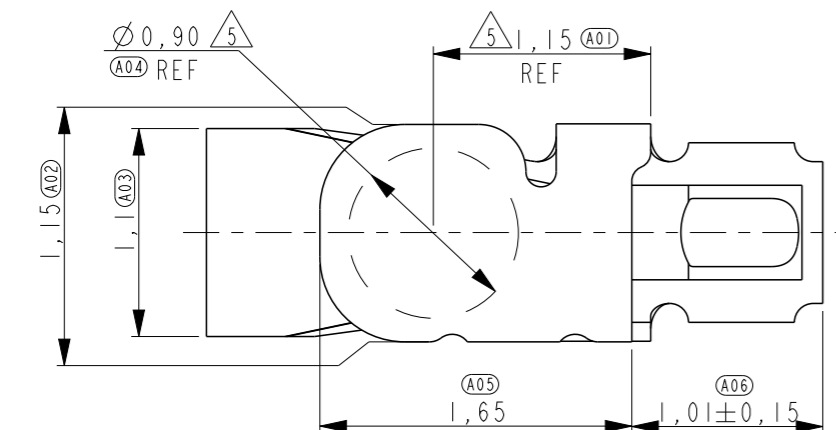
© COPYRIGHT -

ALL RIGHTS RESERVED.

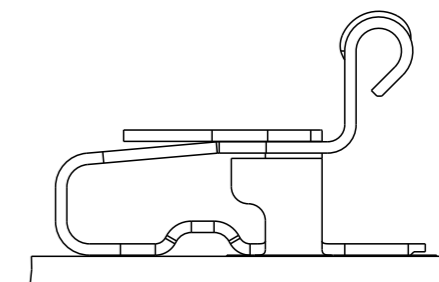
LOC ES DIST 00

REVISIONS

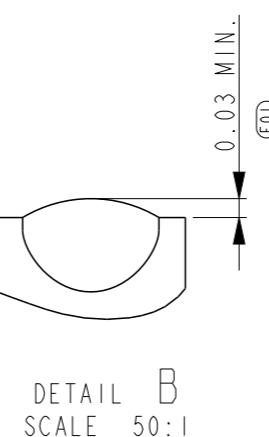
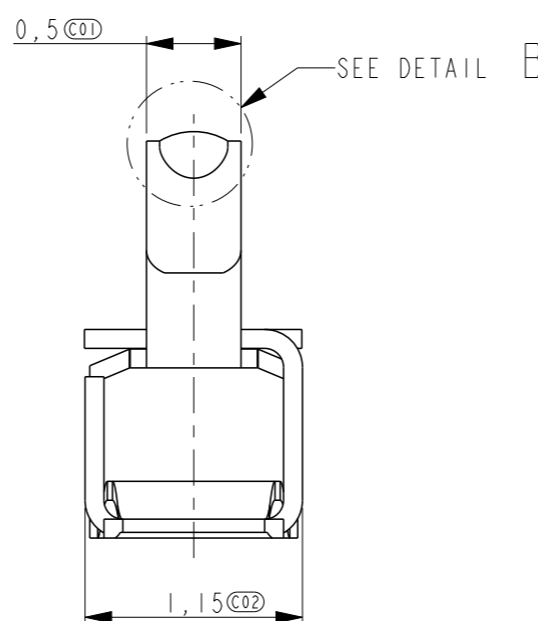
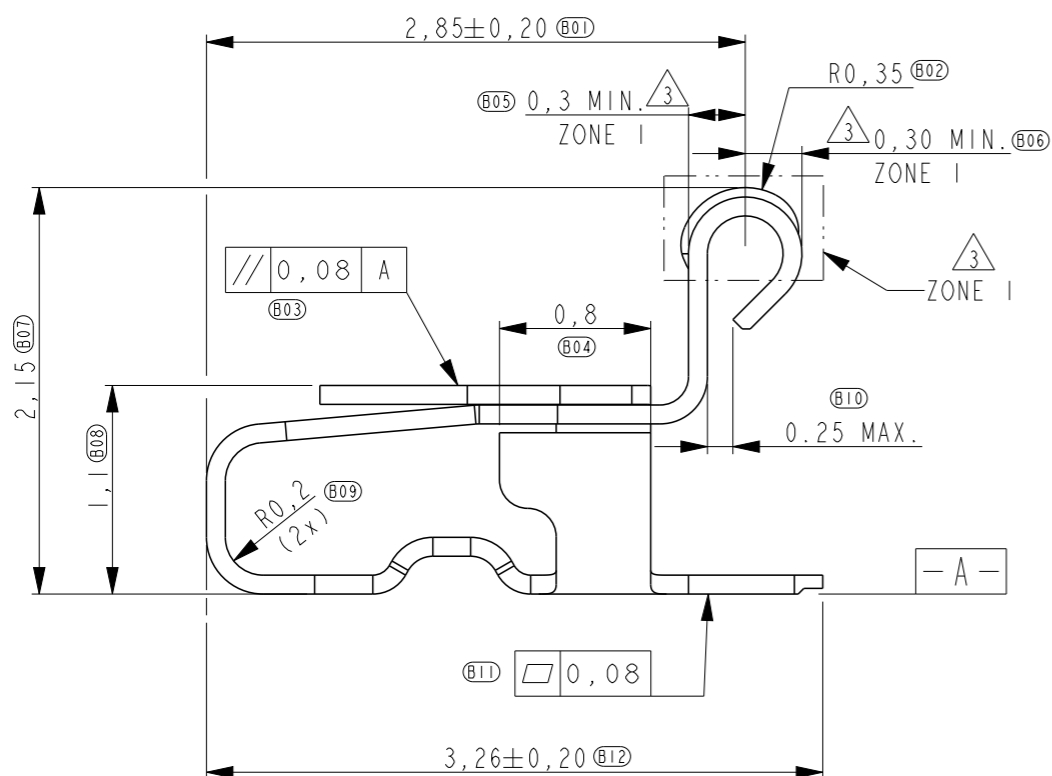
P	LTR	DESCRIPTION	DATE	DWN	APVD
	B	UPDATED	13SEP2011	T.Z	S.Y



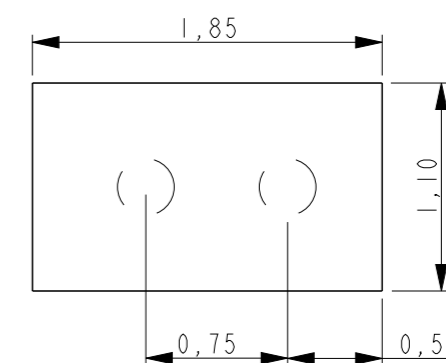
SCALE 15:1



SCALE 15:1 REFERENCE VIEW FOR COMPONENT PLACEMENT

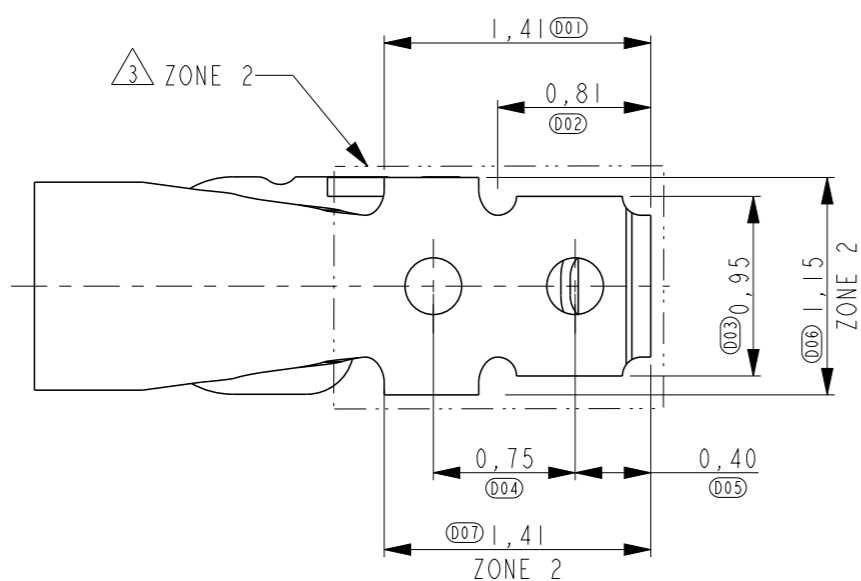


DETAIL B SCALE 50:1



RECOMMENDED PWB LAY-OUT (±0.05) DASHED CIRCLES ARE THE LOCATION OF THE SPRING FINGER BOTTOM HOLES

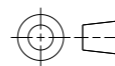
- 1 PART NUMBER: 1551573-5 AS SHOWN.
- 2 MATERIAL: STAINLESS STEEL.
- 3 PLATING: 1,3um MIN. NICKEL UNDERLAYER ALL OVER
ZONE 1: 0,50um MIN. GOLD
ZONE 2: 0,05-0,3um GOLD FLASH
- 4 NORMAL FORCE 0.6±0.2N AT NOMINAL HEIGHT 1.6MM.
- 5 INDICATED SURFACE TO BE USED AS PICK AND PLACE SURFACE.



THIS DRAWING IS A CONTROLLED DOCUMENT.

DIMENSIONS: mm

TOLERANCES UNLESS OTHERWISE SPECIFIED:



0 PLC	±0.2
1 PLC	±0.1
2 PLC	±0.1
3 PLC	±0.05
4 PLC	±
ANGLES	±5°

MATERIAL



FINISH



DWN 13 JUN 2010 Tony Zhang

CHK 13 JUN 2010 Martin Li

APVD 13 JUN 2010 Steven Yao

PRODUCT SPEC 108-115008

APPLICATION SPEC

WEIGHT

CUSTOMER DRAWING

NAME

SPRING FINGER H=2,15

SIZE

A3

CAGE CODE

DRAWING NO

C=1551573

RESTRICTED TO

SCALE 25:1

SHEET 1 OF 2

REV B

THIS DRAWING IS UNPUBLISHED.

RELEASED FOR PUBLICATION

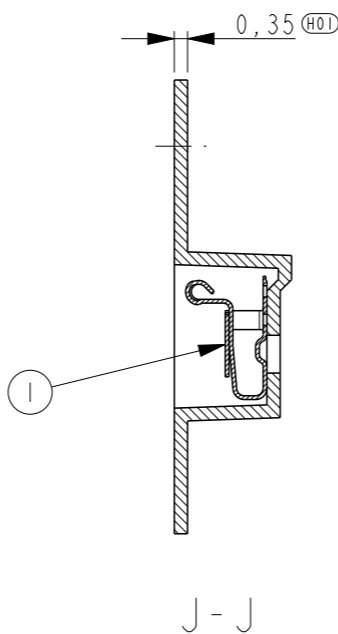
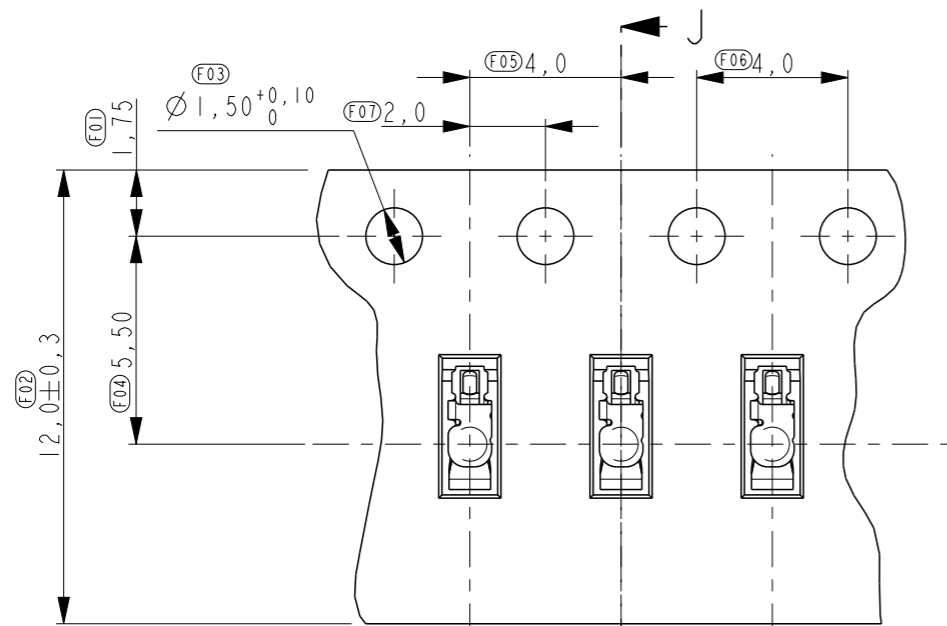
© COPYRIGHT -

ALL RIGHTS RESERVED.

LOC ES DIST 00

REVISIONS

P	LTR	DESCRIPTION	DATE	DWN	APVD
-	-	SEE SHEET 1	-	-	-



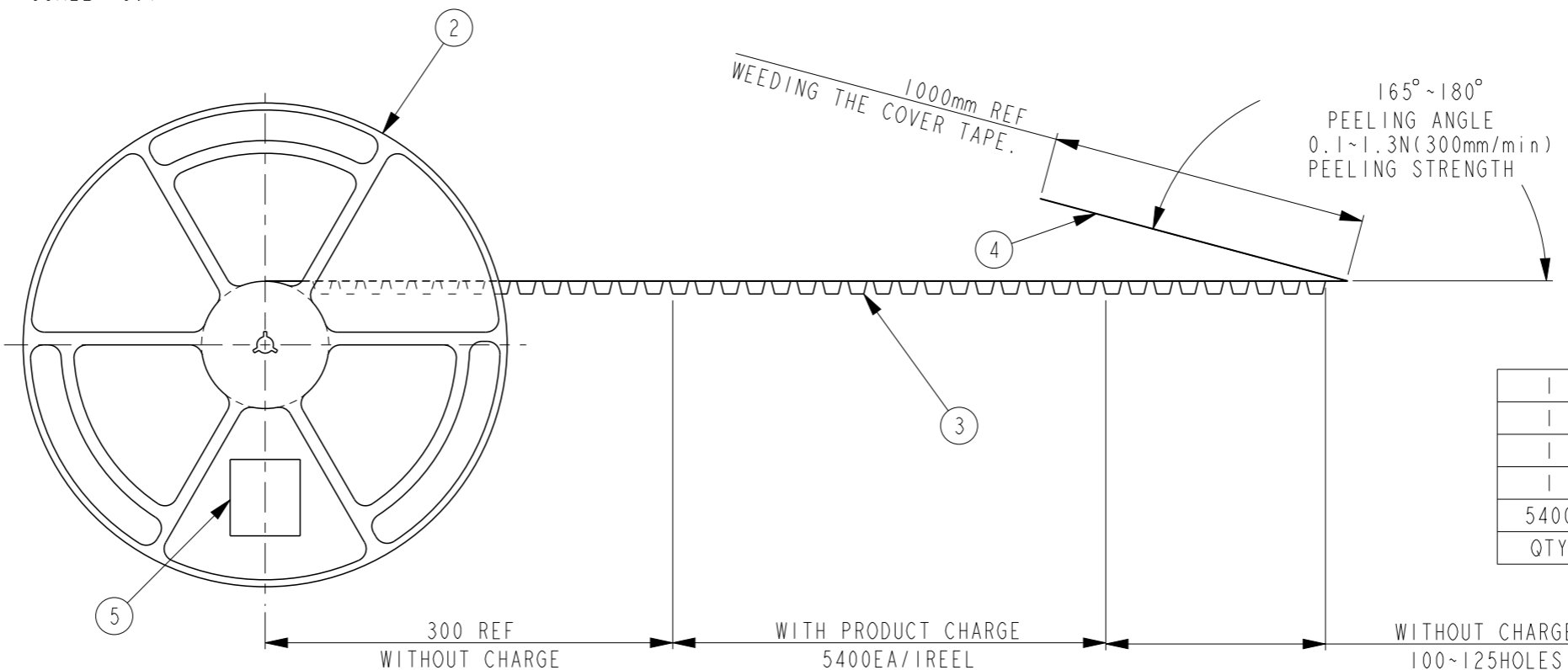
SCALE 5:1

FRANGE CORE DIA
Ø 1100 ± 1

Ø 330 ± 1
REEL DIA.

+2
12.4 0

18.4 MAX
REEL WIDTH



I	LABEL	⑤
I	COVER TAPE	④
I	EMBOSS	③
I	PLASTIC REEL	②
5400	SPRING FINGER	①
QTY	DESCRIPTION	ITEM

THIS DRAWING IS A CONTROLLED DOCUMENT.

DIMENSIONS:	TOLERANCES UNLESS OTHERWISE SPECIFIED:
mm	
	0 PLC ±0.2
	1 PLC ±0.1
	2 PLC ±0.1
	3 PLC ±0.05
	4 PLC ±
	ANGLES ±5°

MATERIAL -

FINISH -

DWN
CHK
APVD
PRODUCT SPEC
APPLICATION SPEC
WEIGHT
CUSTOMER DRAWING

STE TE Connectivity

NAME		SPRING FINGER H=2,15	
SIZE	CAGE CODE	DRAWING NO	RESTRICTED TO
A3		C=1551573	-
SCALE 25:1		SHEET 2 OF 2	REV B