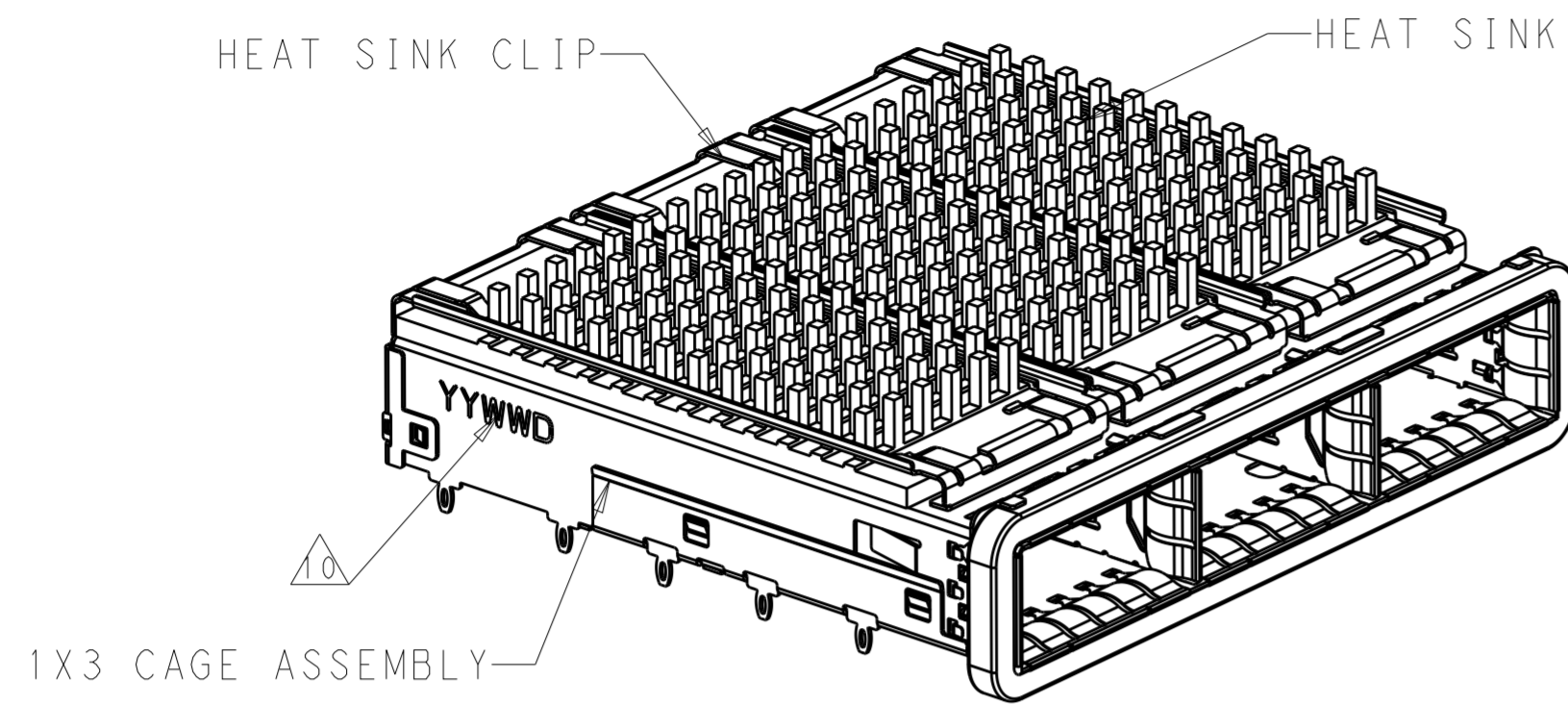
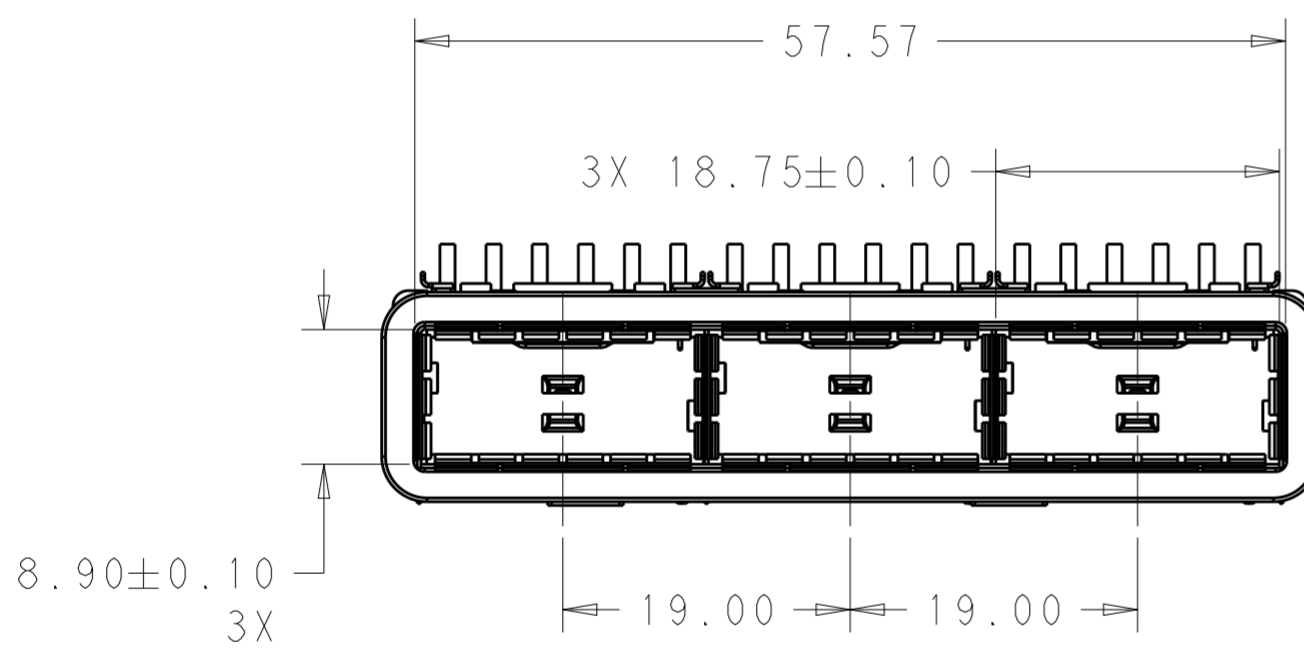


THIS DRAWING IS UNPUBLISHED. RELEASED FOR PUBLICATION 20
 © COPYRIGHT 20 BY - ALL RIGHTS RESERVED.

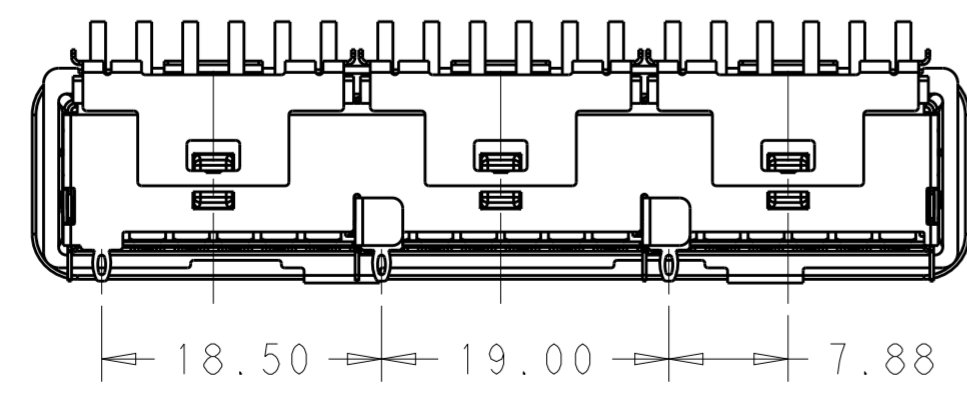
LOC	DIST	REVISIONS					
GP	00	P	LTR	DESCRIPTION	DATE	DWN	APVD
		A		RELEASE	31DEC2015	JY	SH



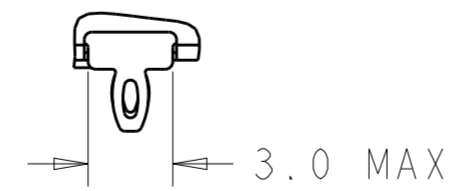
2170768-2 AS SHOWN
SCALE 2:1



SCALE 2:1

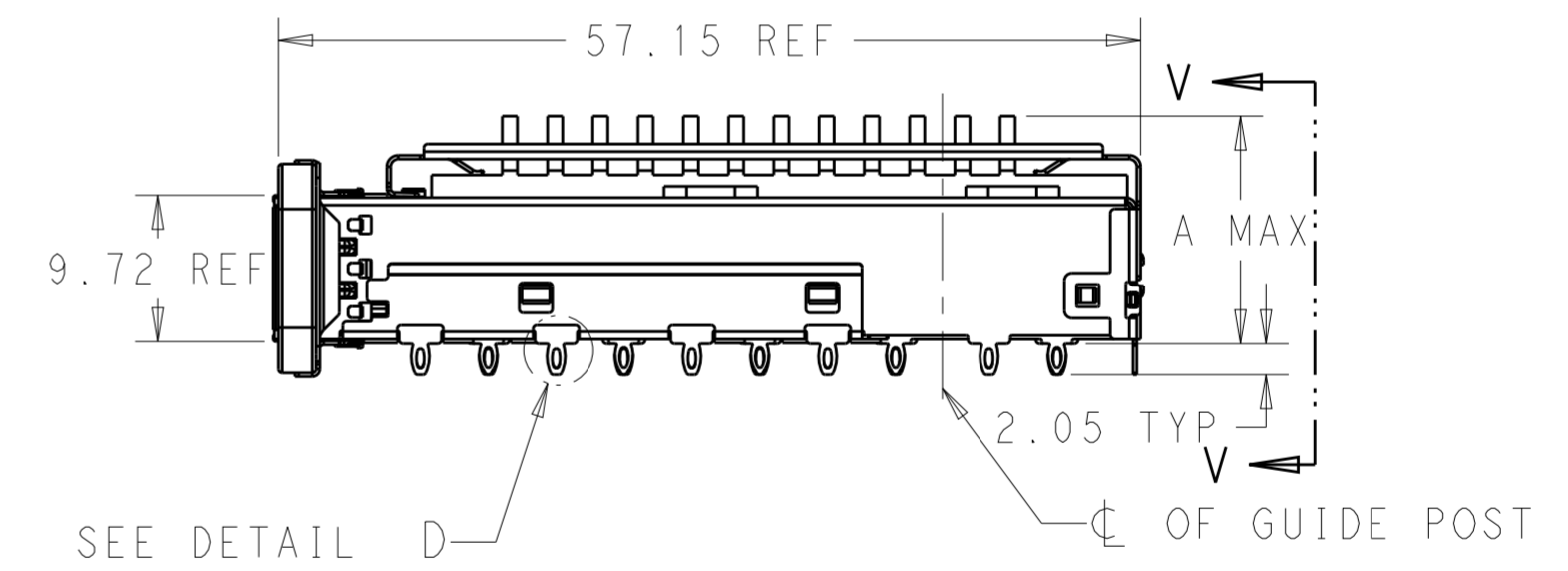


VIEW V-V
SCALE 2:1



DETAIL D
SCALE 4:1

- COMPONENTS
 CAGE ASSEMBLY: NICKEL-SILVER ALLOY
 HEAT SINK: ALUMINUM/BLACK ANODIZE
 HEAT SINK CLIP: STAINLESS STEEL
 EMI GASKET: CONDUCTIVE RUBBER
- REFERENCE APPLICATION SPECIFICATION 114-32023 FOR RECOMMENDED DRILL HOLE DIAMETER AND PLATING THICKNESS
- DATUM AND BASIC DIMENSION ESTABLISHED BY CUSTOMER
- DIMENSION APPLIES WITH MODULE INSERTED IN CAGE
- HEAT SINKS, HEAT SINK CLIPS AND LIGHT PIPES ARE SHIPPED ASSEMBLED ON CAGE
- MINIMUM PC BOARD THICKNESS:
 SINGLE SIDED: 1.57 MIN
 DOUBLE SIDED: 3.00 MIN
- DATUM -A- IS TOP SURFACE OF THE HOST BOARD.
- THESE HOLES ARE OPTIONAL WHEN THE REAR PINS ARE REMOVED.
- MATES WITH QSFP28 MSA COMPATIBLE TRANSCEIVER.
- DATE CODE (YYWWD) MARKED APPROXIMATELY AS SHOWN.



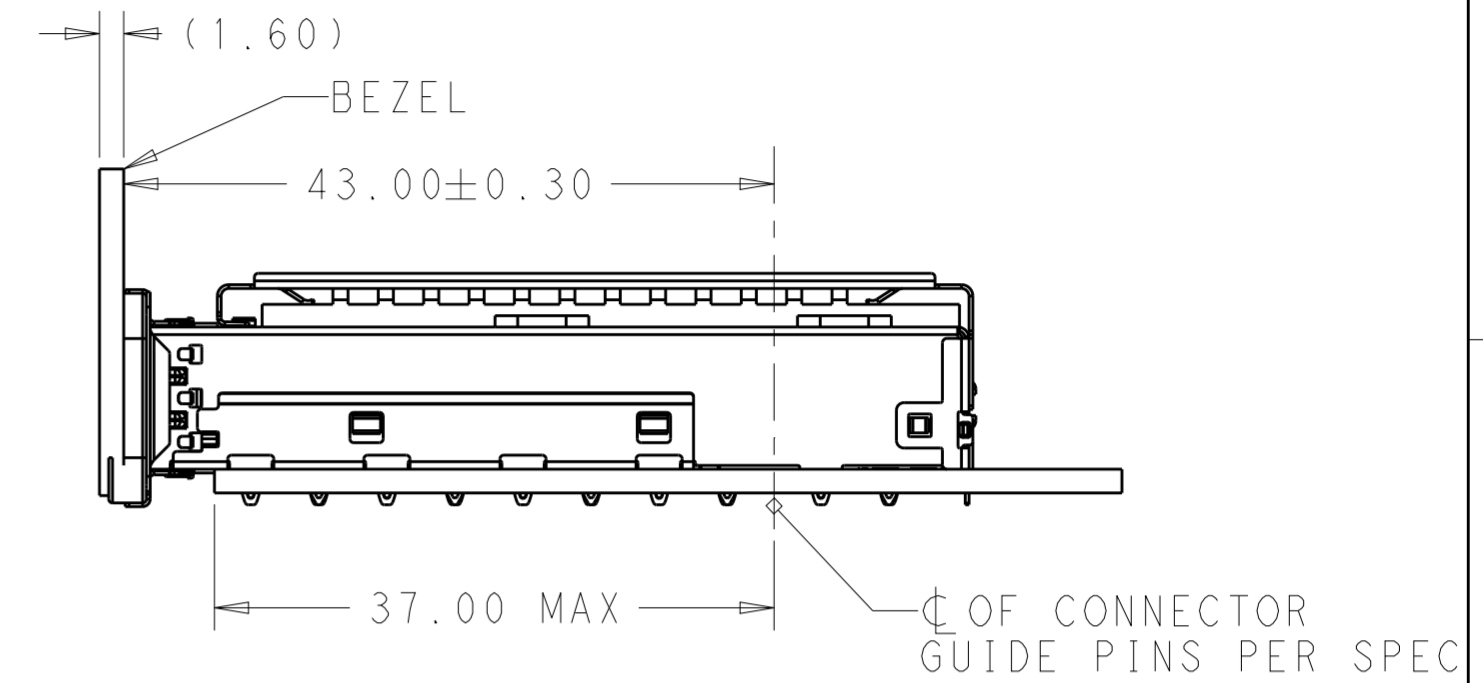
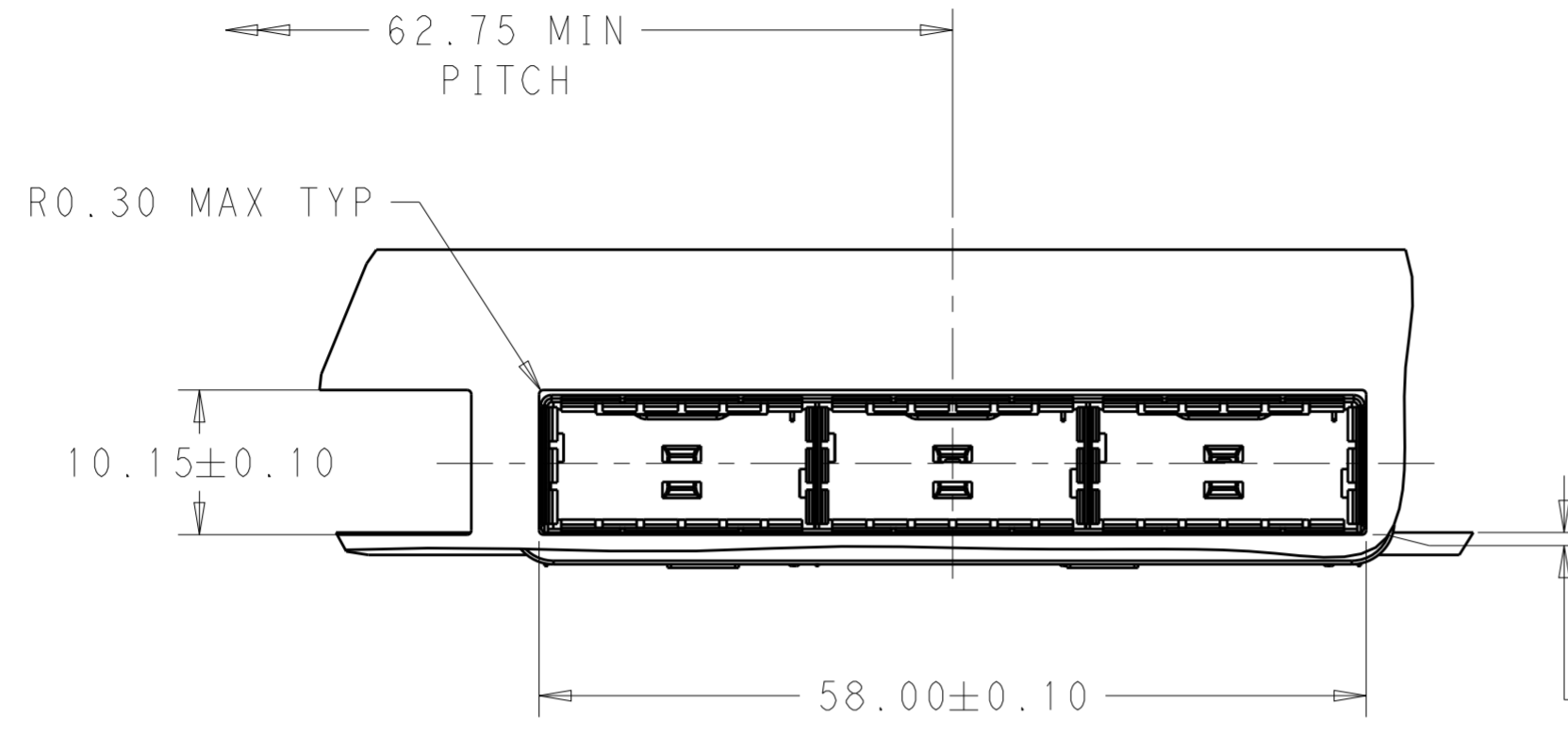
23.0	WITHOUT	NETWORKING	2170768-6
16.0	WITHOUT	SAN	2170768-5
13.7	WITHOUT	PCI	2170768-4
23.0	WITH	NETWORKING	2170768-3
16.0	WITH	SAN	2170768-2
13.7	WITH	PCI	2170768-1
DIM A	REAR PINS OPTIONAL	APPLICATION	PART NUMBER

THIS DRAWING IS A CONTROLLED DOCUMENT.

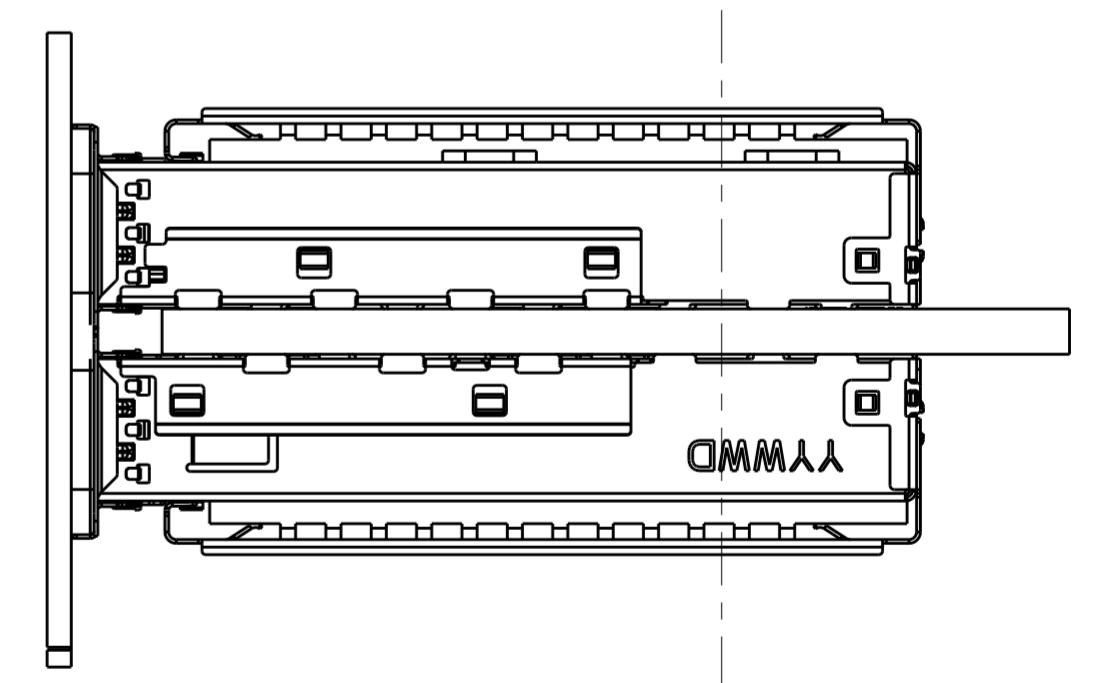
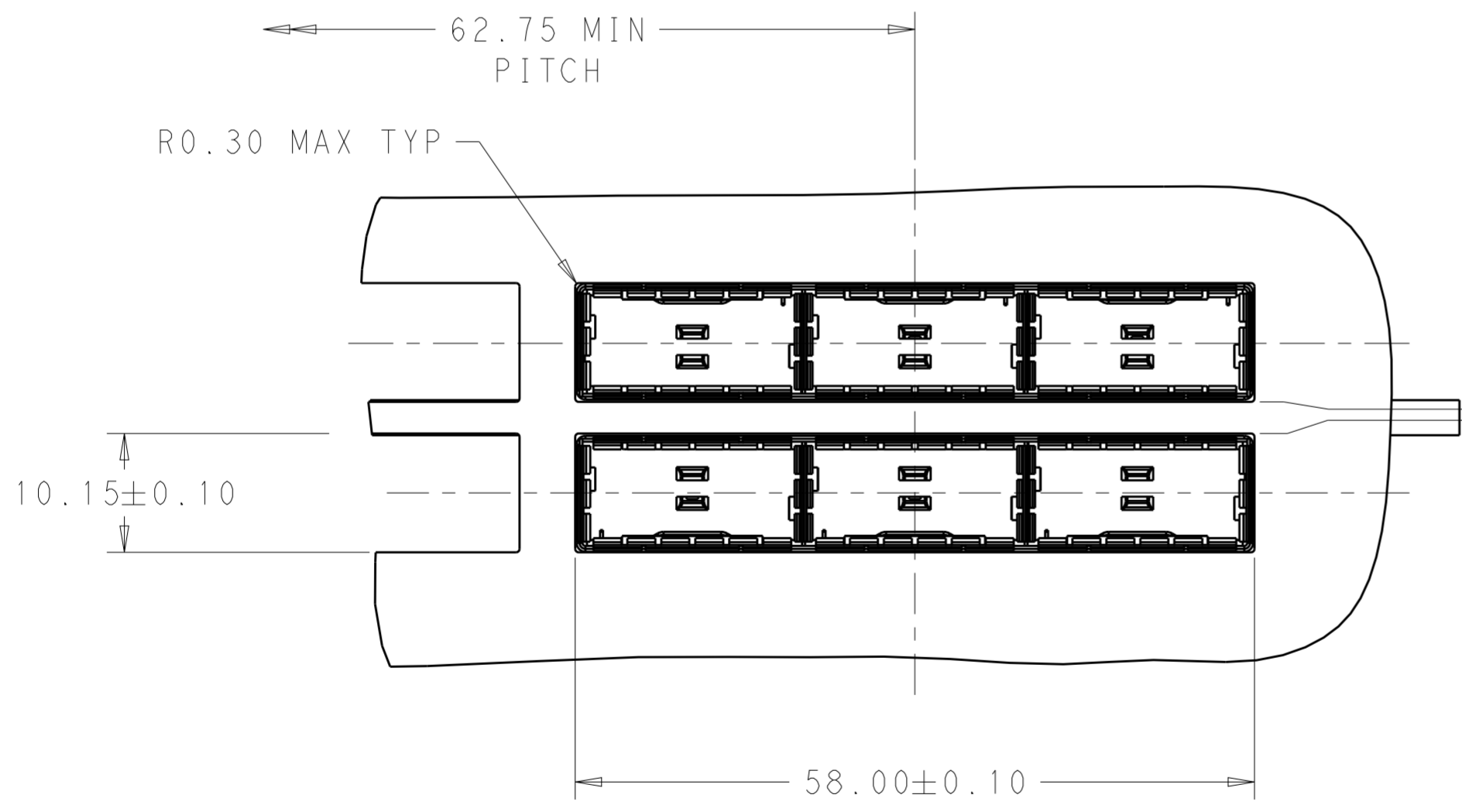
DWN	BING LIU	22APR2014		PRELIMINARY
CHK	JASON YANG	22APR2014		
APVD	SEAN HAN	31DEC2015		
NAME	RECEPTACLE CAGE ASSEMBLY WITH HEAT SINKS, THRU BEZEL, 1X3, QSFP28			
DIMENSIONS:	TOLERANCES UNLESS OTHERWISE SPECIFIED:		PRODUCT SPEC	108-19428
mm	0 PLC ±	±0.25	APPLICATION SPEC	114-32023
	1 PLC ±0.2		WEIGHT	-
	2 PLC ±		SIZE	A2
	3 PLC ±		CAGE CODE	00779
	4 PLC ±		DRAWING NO	C-2170768
	ANGLES ±		RESTRICTED TO	-
	FINISH ±		SCALE	1:1
MATERIAL	SEE NOTES	SEE NOTES	Customer Drawing	SHEET 1 OF 5
			REV	A

THIS DRAWING IS UNPUBLISHED. RELEASED FOR PUBLICATION 20
 © COPYRIGHT 20 BY - ALL RIGHTS RESERVED.


LOC		DIST		REVISIONS			
P	LTR	DESCRIPTION		DATE	DWN	APVD	
-	-	SEE SHEET 1		-	-	-	



SINGLE SIDE MOUNTING
SCALE 2:1

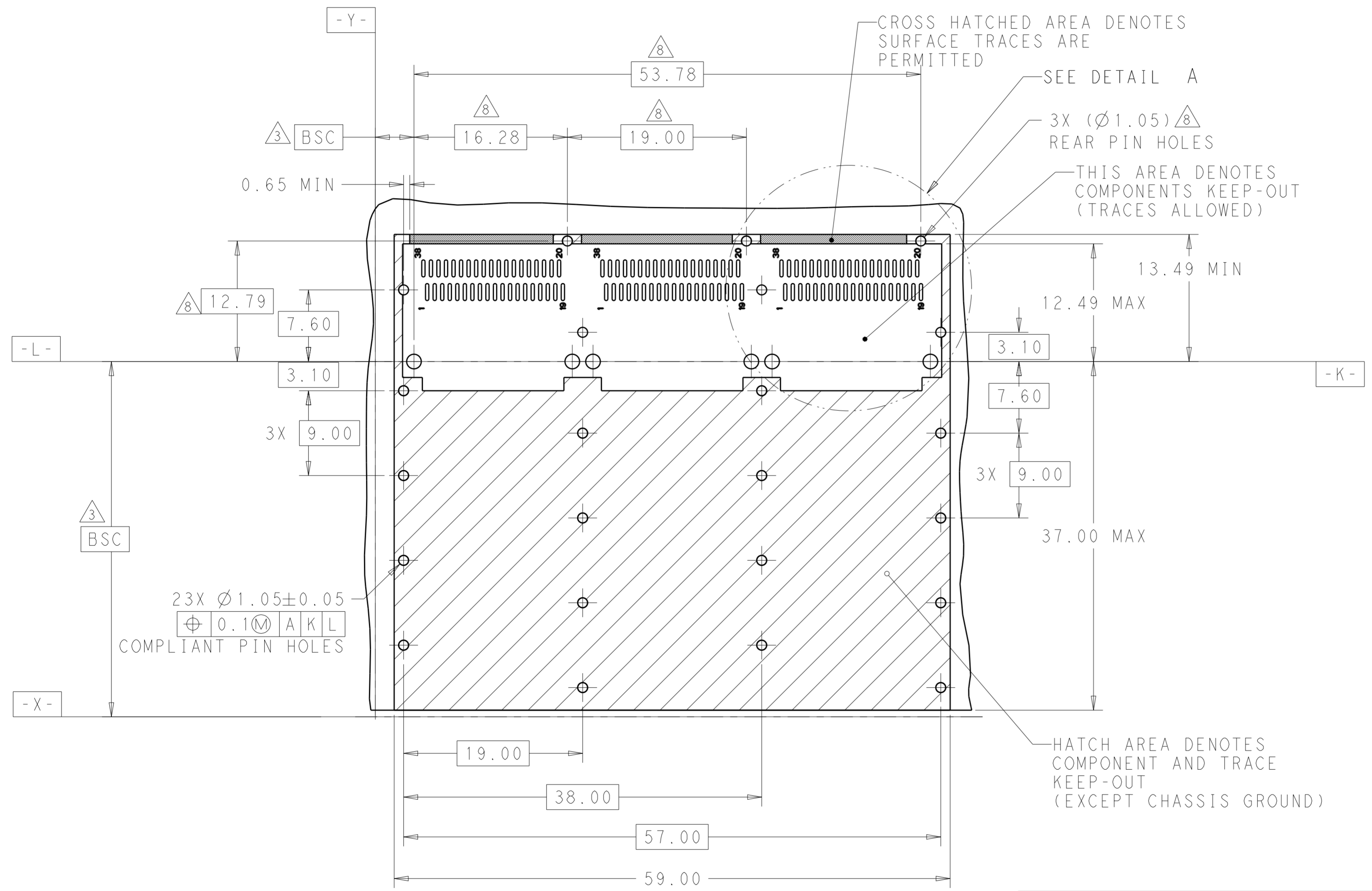


BELLY TO BELLY MOUNTING
SCALE 2:1

THIS DRAWING IS A CONTROLLED DOCUMENT.		DWN BING LIU 22APR2014	 TE Connectivity	
DIMENSIONS: mm		CHK JASON YANG 22APR2014		
TOLERANCES UNLESS OTHERWISE SPECIFIED:		APVD SEAN HAN 31DEC2015	NAME RECEPTACLE CAGE ASSEMBLY WITH HEAT SINKS, THRU BEZEL, 1X3, QSFP28	
0 PLC ± 1 PLC ±0.25 2 PLC ±0.2 3 PLC ± 4 PLC ± ANGLES ± FINISH ±		PRODUCT SPEC 108-19428	SIZE A200779	DRAWING NO C-2170768
MATERIAL SEE NOTES material_2		APPLICATION SPEC 114-32023	RESTRICTED TO -	SCALE 1:1
SEE NOTES finish_spec_2		WEIGHT -	SHEET 2 OF 5	REV A
		Customer Drawing		

THIS DRAWING IS UNPUBLISHED. RELEASED FOR PUBLICATION 20
 © COPYRIGHT 20 BY - ALL RIGHTS RESERVED.

LOC		DIST		REVISIONS			
P	LTR	DESCRIPTION	DATE	DWN	APVD		
-	-	SEE SHEET 1	-	-	-		

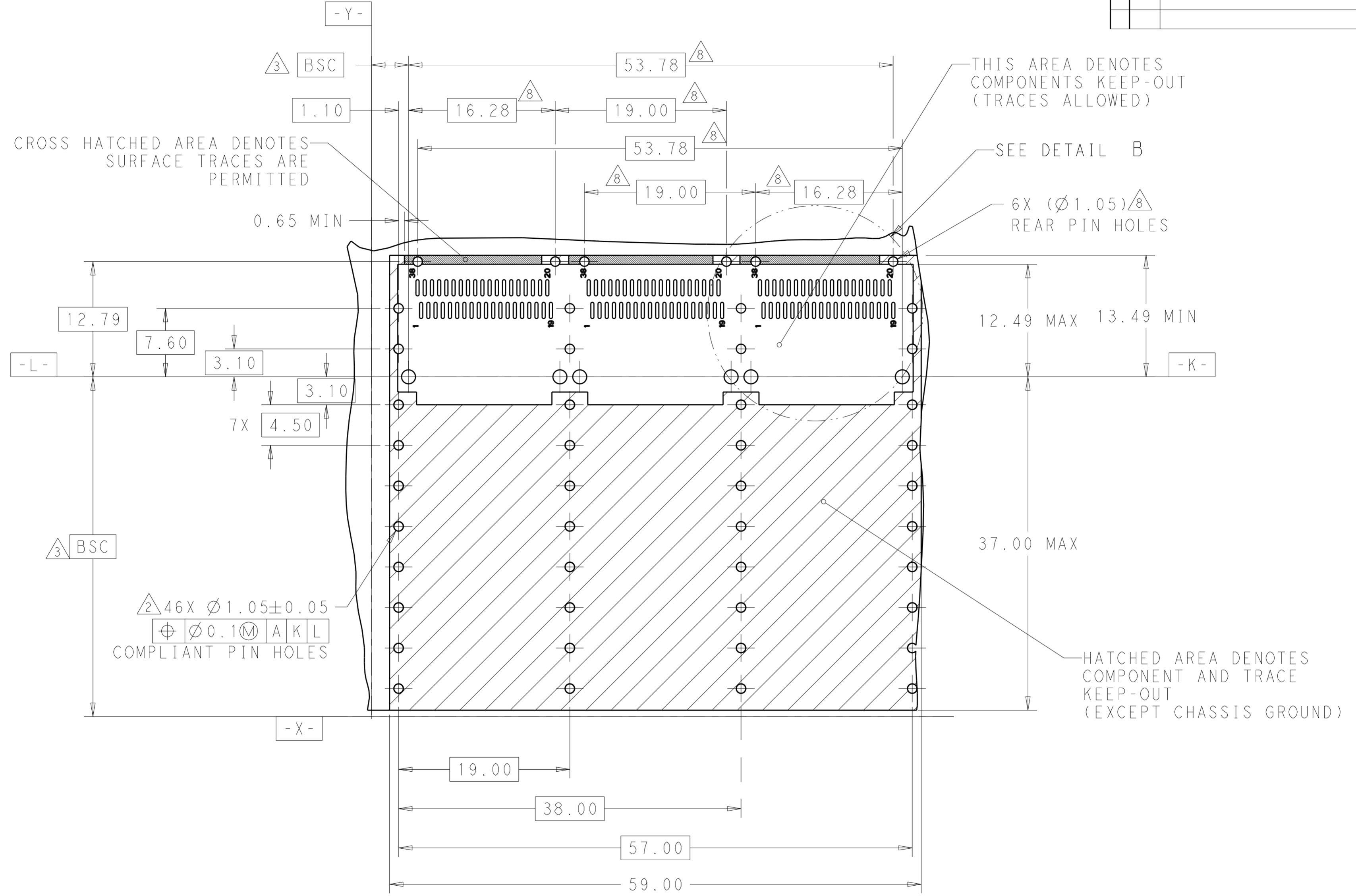


RECOMMENDED PCB LAYOUT
 SINGLE TYPE
 PCB TOLERANCE: ±0.05
 SCALE 3:1

THIS DRAWING IS A CONTROLLED DOCUMENT.		DWN BING LIU 22APR2014	TE Connectivity	
DIMENSIONS: mm		CHK JASON YANG 22APR2014		
TOLERANCES UNLESS OTHERWISE SPECIFIED:		APVD SEAN HAN 31DEC2015	NAME RECEPTACLE CAGE ASSEMBLY WITH HEAT SINKS, THRU BEZEL, 1X3, QSFP28	
		PRODUCT SPEC 108-19428	SIZE A200779	
MATERIAL SEE NOTES material_2		APPLICATION SPEC 114-32023	DRAWING NO C-2170768	
FINISH SEE NOTES finish_spec_2		WEIGHT -	RESTRICTED TO -	
		Customer Drawing		SCALE 1:1 SHEET 3 OF 5 REV A

THIS DRAWING IS UNPUBLISHED. RELEASED FOR PUBLICATION 20
 © COPYRIGHT 20 BY - ALL RIGHTS RESERVED.

LOC	DIST	REVISIONS			
P	LTR	DESCRIPTION	DATE	DWN	APVD
-	-	SEE SHEET 1	-	-	-

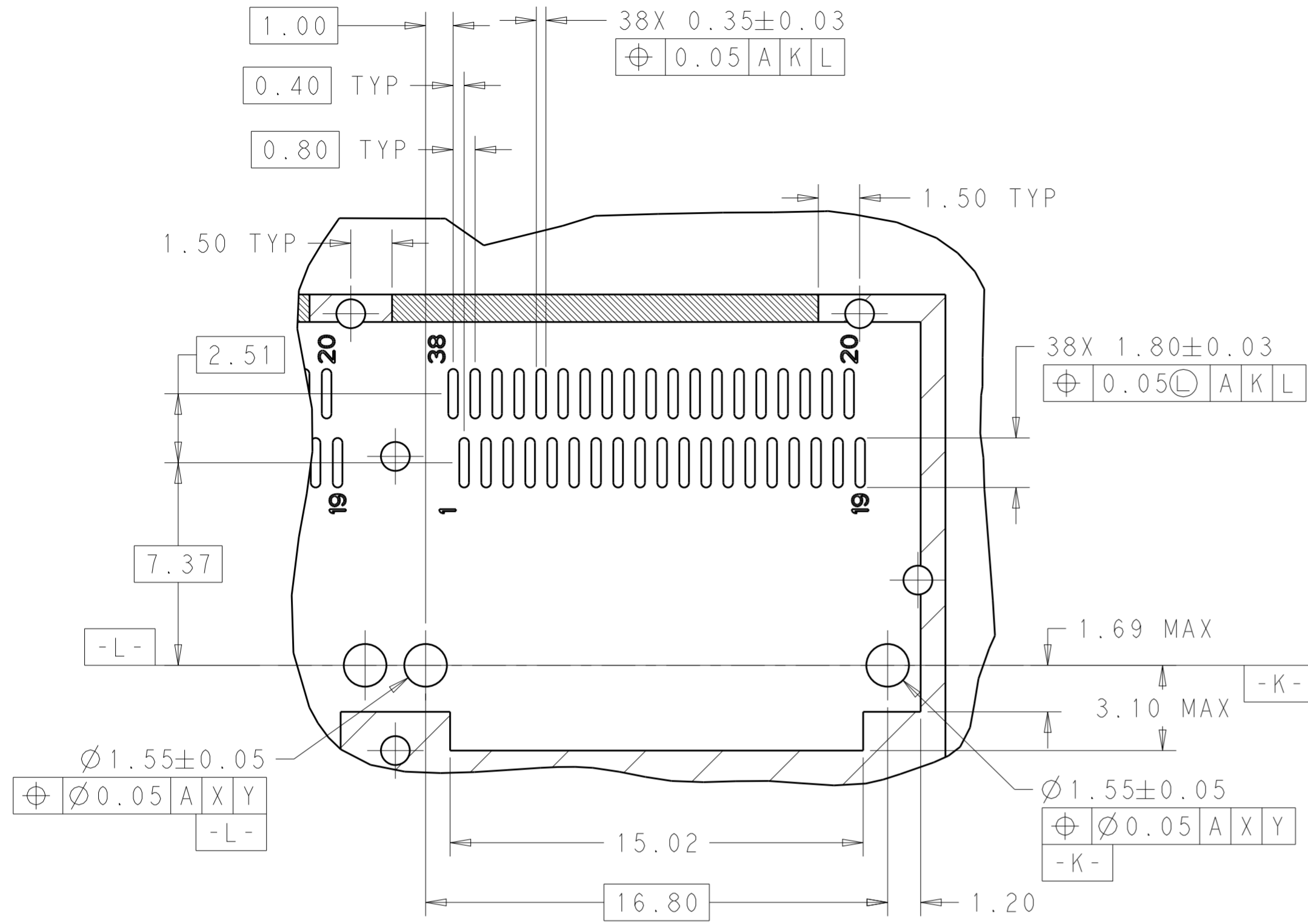


RECOMMENDED PCB LAYOUT
 BELLY TO BELLY TYPE
 PCB TOLERANCE: ±0.05
 SCALE 3:1

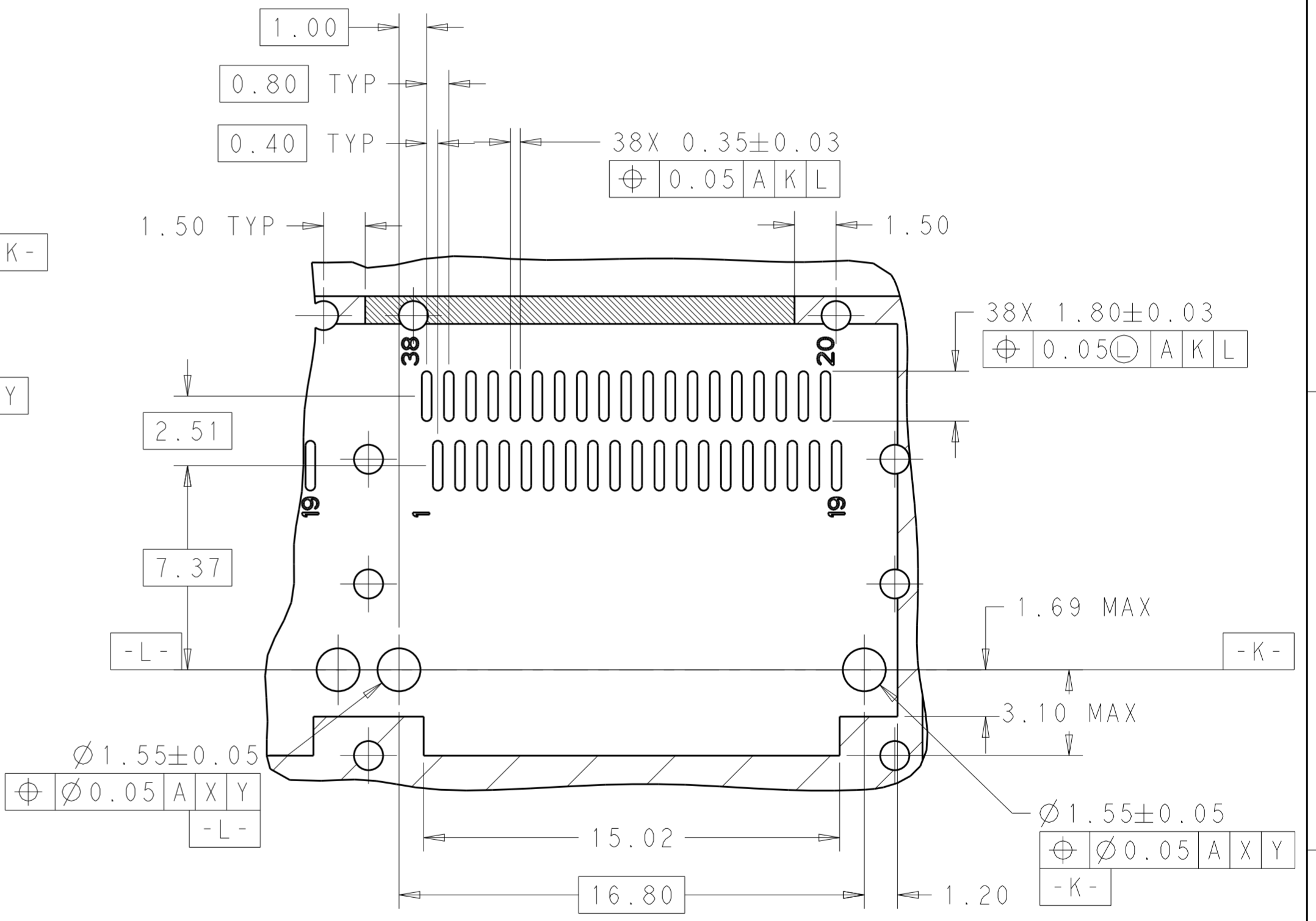
THIS DRAWING IS A CONTROLLED DOCUMENT.		DWN BING LIU 22APR2014	TE Connectivity	
DIMENSIONS: mm		CHK JASON YANG 22APR2014		
TOLERANCES UNLESS OTHERWISE SPECIFIED:		APVD SEAN HAN 31DEC2015	NAME RECEPTACLE CAGE ASSEMBLY WITH HEAT SINKS, THRU BEZEL, 1X3, QSFP28	
0 PLC ± 1 PLC ±0.25 2 PLC ±0.2 3 PLC ± 4 PLC ± ANGLES ± FINISH		PRODUCT SPEC 108-19428	SIZE A2	CAGE CODE 00779
MATERIAL SEE NOTES material_2		APPLICATION SPEC 114-32023	DRAWING NO C-2170768	RESTRICTED TO -
SEE NOTES finish_spec_2		WEIGHT -	SCALE 1:1 SHEET 4 OF 5 REV A	
		Customer Drawing		

THIS DRAWING IS UNPUBLISHED. RELEASED FOR PUBLICATION 20
 © COPYRIGHT 20 BY - ALL RIGHTS RESERVED.


LOC	DIST	REVISIONS			
P	LTR	DESCRIPTION	DATE	DWN	APVD
-	-	SEE SHEET 1	-	-	-



DETAIL A
SCALE 6:1



DETAIL B
SCALE 6:1

THIS DRAWING IS A CONTROLLED DOCUMENT.		DWN BING LIU 22APR2014	 TE Connectivity
DIMENSIONS: mm		CHK JASON YANG 22APR2014	
TOLERANCES UNLESS OTHERWISE SPECIFIED:		APVD SEAN HAN 31DEC2015	NAME RECEPTACLE CAGE ASSEMBLY WITH HEAT SINKS, THRU BEZEL, 1X3, QSFP28
0 PLC ±	1 PLC ±0.25	PRODUCT SPEC 108-19428	SIZE A2
2 PLC ±0.2	3 PLC ±	APPLICATION SPEC 114-32023	CAGE CODE 00779
4 PLC ±	ANGLES ±	WEIGHT -	DRAWING NO C-2170768
MATERIAL SEE NOTES material_2	FINISH SEE NOTES finish_spec_2	Customer Drawing	RESTRICTED TO -
SCALE 1:1			SHEET 5 OF 5
			REV A