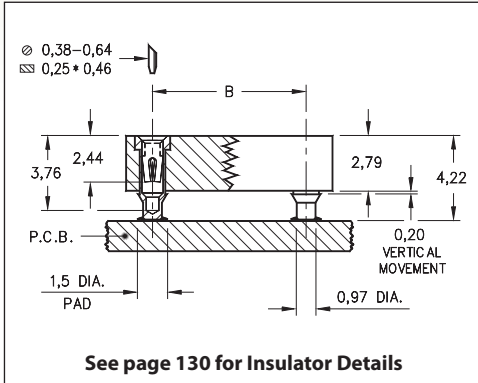
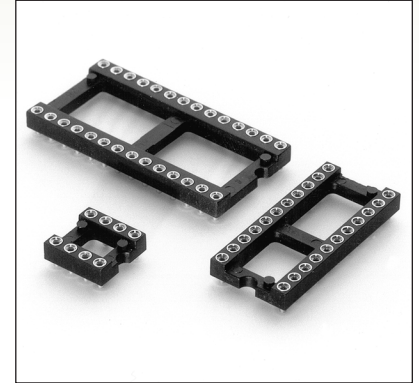


DUAL-IN-LINE SOCKETS

SERIES 114 • SURFACE MOUNT, STUB TAIL • OPEN FRAME



- Unique floating contacts compensate for the effects of unevenly dispensed solder paste
- Socket pins feature closed end construction eliminating any solder/flux wicking problems
- Hi-Rel, 4-finger BeCu #30 contact is rated at 3 amps. See page 253 for details
- Series 114 uses MM #1434 pins. See page 162 for details
- Insulators are high temperature thermoplastic, suitable for all soldering operations
- For Electrical, Mechanical and Environmental Data see page 264 for details



Total number of pins	Pin Spacing			Quantity per tube	ORDERING INFORMATION						
	A	B	C								
10	12,6	5,08	7,6	41	114-XX-210-41-117000						
4	5,0	7,62	10,1	100	114-XX-304-41-117000						
6	7,6	7,62	10,1	67	114-XX-306-41-117000						
8	10,1	7,62	10,1	50	114-XX-308-41-117000						
10	12,6	7,62	10,1	40	114-XX-310-41-117000						
14	17,7	7,62	10,1	28	114-XX-314-41-117000						
16	20,3	7,62	10,1	25	114-XX-316-41-117000						
18	22,8	7,62	10,1	22	114-XX-318-41-117000						
20	25,3	7,62	10,1	20	114-XX-320-41-117000						
22	27,8	7,62	10,1	18	114-XX-322-41-117000						
24	30,4	7,62	10,1	16	114-XX-324-41-117000						
28	35,5	7,62	10,1	14	114-XX-328-41-117000						
20	25,4	10,16	12,7	20	114-XX-420-41-117000						
22	27,8	10,16	12,7	18	114-XX-422-41-117000						
24	30,4	10,16	12,7	16	114-XX-424-41-117000						
28	35,5	10,16	12,7	14	114-XX-428-41-117000						
32	40,6	10,16	12,7	12	114-XX-432-41-117000						
24	30,4	15,24	17,7	16	114-XX-624-41-117000						
28	35,5	15,24	17,7	14	114-XX-628-41-117000						
32	40,6	15,24	17,7	12	114-XX-632-41-117000						
36	45,7	15,24	17,7	11	114-XX-636-41-117000						
40	50,8	15,24	17,7	10	114-XX-640-41-117000						
42	53,3	15,24	17,7	9	114-XX-642-41-117000						
48	60,9	15,24	17,7	8	114-XX-648-41-117000						
50	63,5	15,24	17,7	8	114-XX-650-41-117000						
52	66,0	15,24	17,7	7	114-XX-652-41-117000						
50	63,5	22,86	25,3	8	114-XX-950-41-117000						
52	66,0	22,86	25,3	7	114-XX-952-41-117000						
64	81,2	22,86	25,3	6	114-XX-964-41-117000						
SPECIFY PLATING CODE XX =					91	93	41	43			
					Sleeve (Pin)	5,08µm Sn/Pb	5,08µm Sn/Pb	5,08µm Sn	5,08µm Sn		
					Contact (Clip)	0,25µm Au	0,76µm Au	0,25µm Au	0,76µm Au		

XX=Plating Code
See Below

