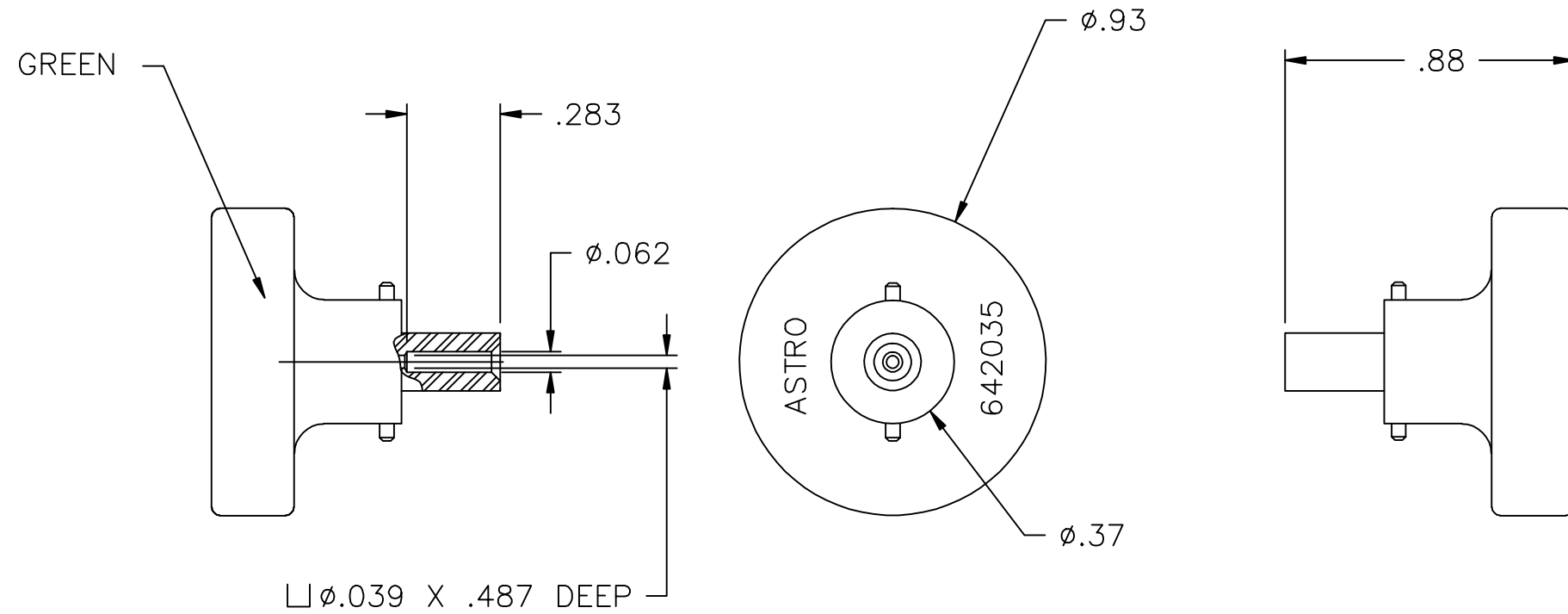
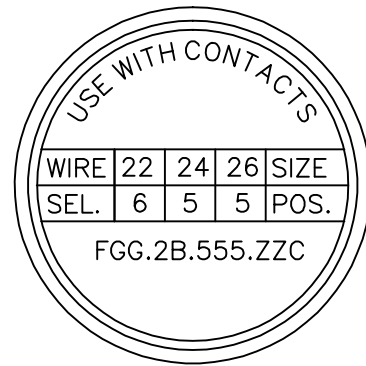


**UNCONTROLLED DOCUMENT  
WILL NOT BE UPDATED**



2. USE WITH 616336 (M22520/7-01) TOOL FRAME.  
1. THIS IS AN AUTOCAD DRAWING, DO NOT CHANGE MANUALLY.

NOTES:

A	NEW RELEASE	DYO	04-30-12	MMK
REV.	DESCRIPTION	BY	DATE	APR.

THESE DRAWINGS, SPECIFICATIONS OR OTHER DATA ARE AND REMAIN, THE PROPERTY OF ASTRO TOOL CORP. AND MUST BE RETURNED UPON REQUEST. THEY CONTAIN INFORMATION OWNED AND/OR DEVELOPED BY ASTRO AT ITS OWN PRIVATE EXPENSE AND MAY NOT BE USED, DUPLICATED OR DISCLOSED TO OTHERS, IN WHOLE OR IN PART FOR DESIGN, MANUFACTURE OR PROCUREMENT WITHOUT THE WRITTEN PERMISSION OF ASTRO TOOL CORP. EACH AND EVERY TIME.

SCALE: N.T.S.  
DWN BY: DYO  
DATE: 04-30-12  
APPROVED:

UNLESS OTHERWISE SPECIFIED:  
DECIMALS:  
.XXX ± .005  
.XX ± .010  
.X ± .030  
ANGLES: ± 1°

<p>21615 S.W. TUALATIN VALLEY HWY., BEAVERTON OR 97006</p>		CAGE 58164
DESCRIPTION: ENVELOPE DRAWING: 642035 POSITIONER ASSEMBLY		
PART NO.	B	642035-ENV